

STEP 1

WASH ALL METAL PARTS IN A SOAPY WATER SOLUTION OR ALCOHOL TO REMOVE ANY RESIDUE FROM THE PRODUCTION PROCESS.

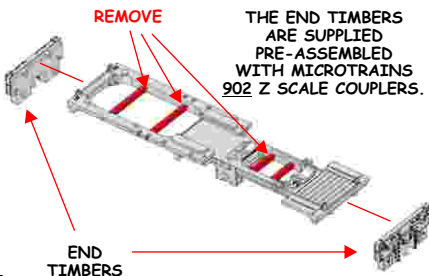
FOLLOW THE INSTRUCTIONS INCLUDED WITH THE POWER TRUCK TO PREPARE IT FOR ASSEMBLY INTO THE LOCOMOTIVE SHELL.

NOTE:

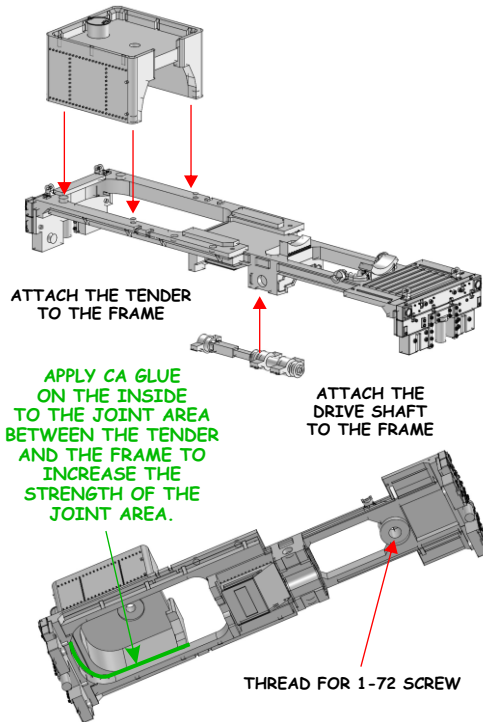
CHECK THE FIT OF ALL PARTS BEFORE APPLYING GLUE. WE RECOMMEND USING A CA TYPE SUPER GLUE FOR ASSEMBLY.

THIS TWO TRUCK CLIMAX SHELL KIT IS DESIGNED TO WORK WITH A TWO-AXLE POWER TRUCK. IT IS A N SCALE KIT DESIGNED TO RUN ON Z SCALE TRACK

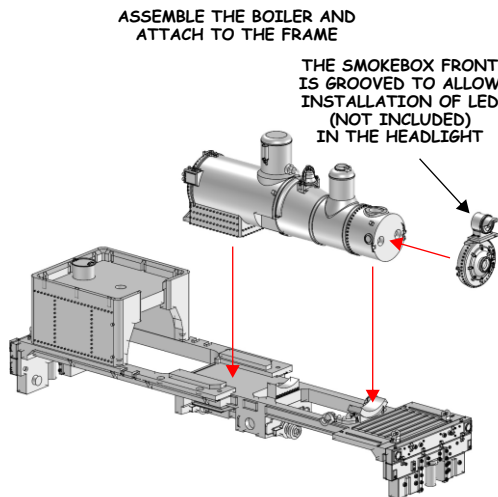
ASSEMBLE THE FRAME



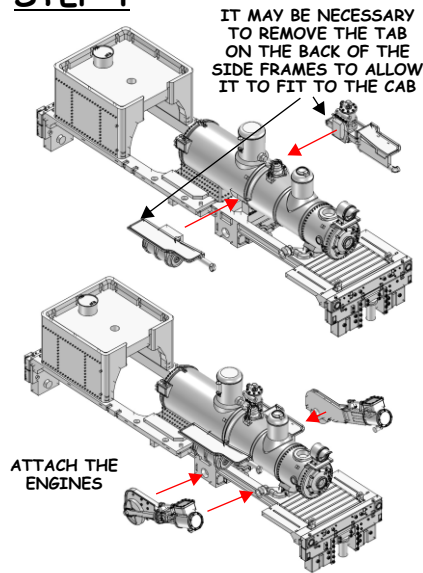
STEP 2



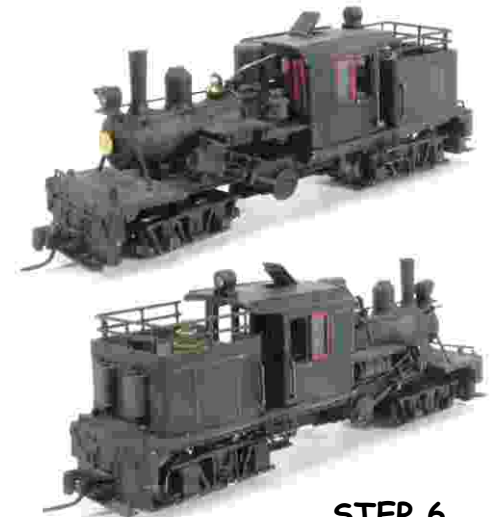
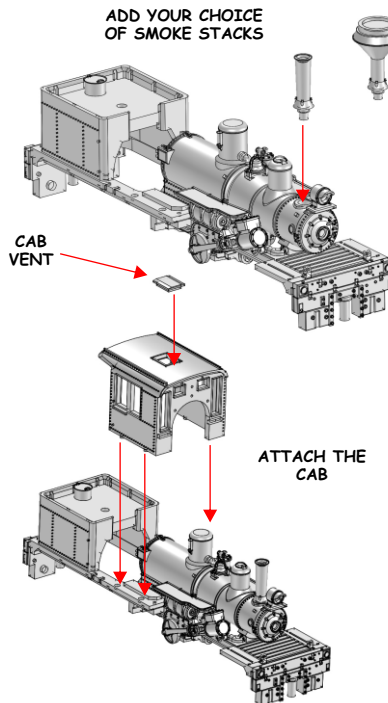
STEP 3



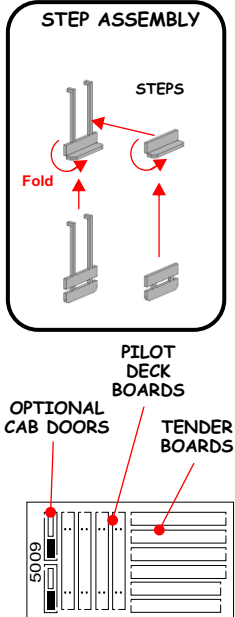
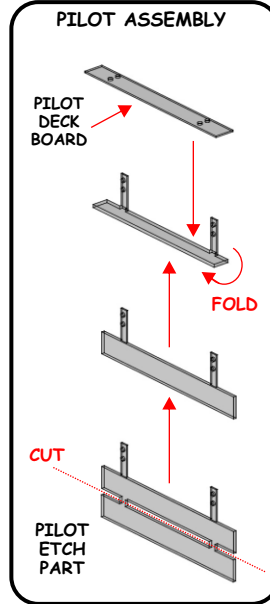
STEP 4 ATTACH THE SIDE PLATFORMS



STEP 5



STEP 6

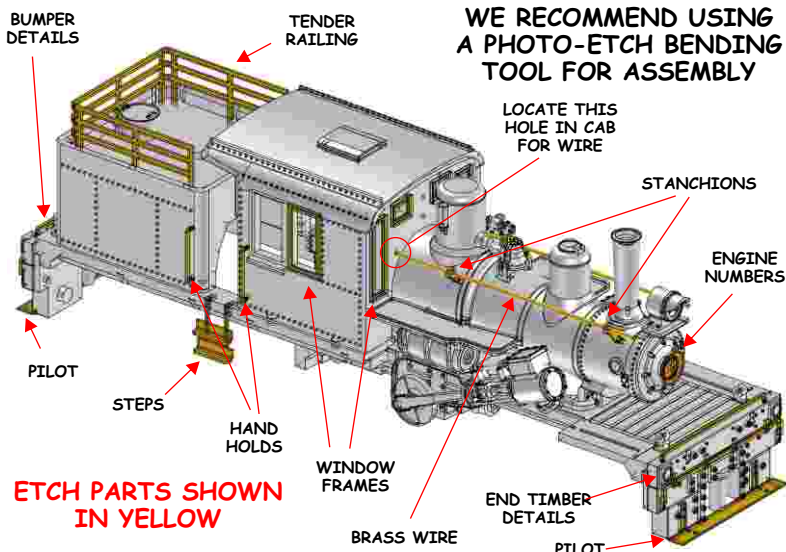


YOU CAN CHOOSE TO USE THE ETCHED DECK BOARDS OR THE INCLUDED FIBER DECK BOARDS. (SEE RIGHT)

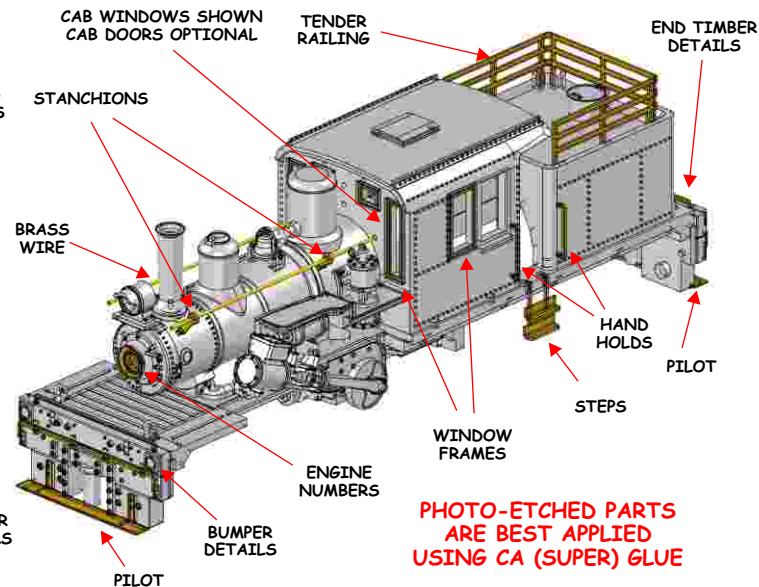
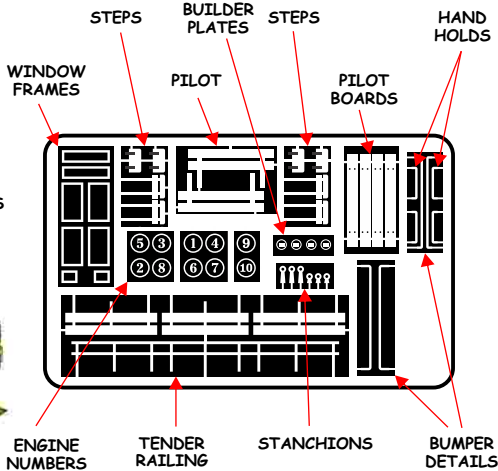
PAINING

TESTOR'S FLAT BLACK SPRAY PAINT IS A GOOD CHOICE. THIS PAINT IS VERY THIN, COVERS WELL AND IS DURABLE. WE RECOMMEND THAT YOU USE A METAL PRIMER FIRST AND RECOMMEND TAMIYA BRAND LAQUER SURFACE PRIMER.

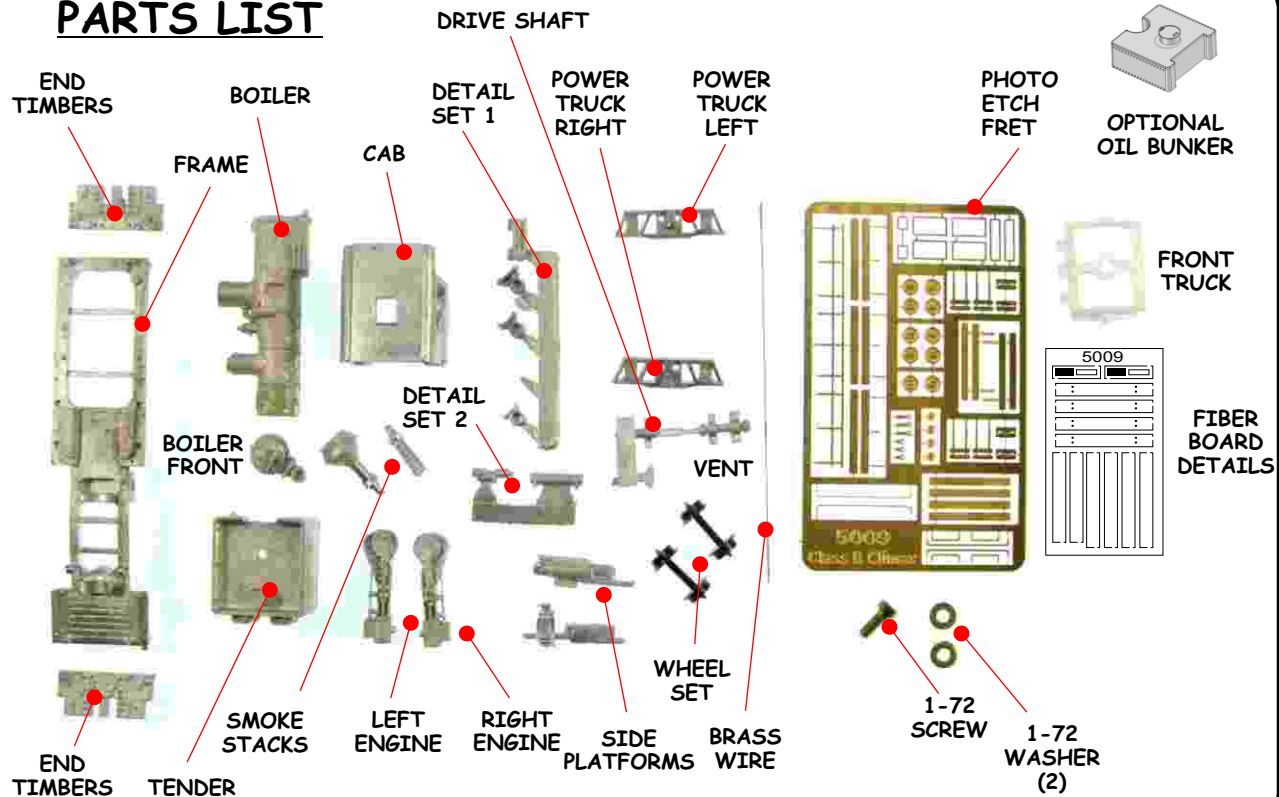
WE RECOMMEND USING A PHOTO-ETCH BENDING TOOL FOR ASSEMBLY



**STEP 7
PHOTO-ETCH DETAILS**

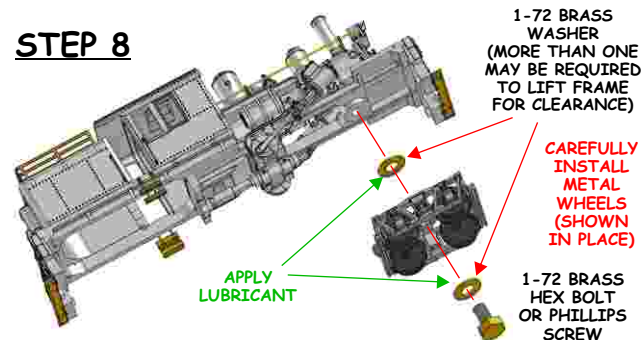


PARTS LIST



INSTALL THE FRONT TRUCK

STEP 8



STEP 9

