

STEP 1

WASH ALL METAL PARTS IN A SOAPY WATER SOLUTION OR ALCOHOL TO REMOVE ANY RESIDUE FROM THE PRODUCTION PROCESS.

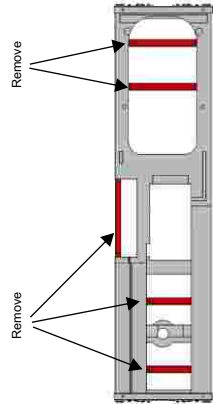
FOLLOW THE INSTRUCTIONS INCLUDED WITH THE POWER TRUCK TO PREPARE IT FOR ASSEMBLY INTO THE LOCOMOTIVE SHELL.

NOTE:

CHECK THE FIT OF ALL PARTS BEFORE APPLYING GLUE. WE RECOMMEND USING A CA TYPE SUPER GLUE FOR ASSEMBLY.

STEP 2

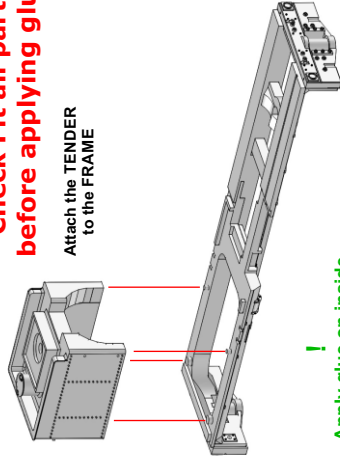
Prepare the Frame



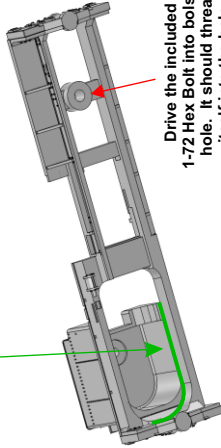
STEP 3

Check Fit all parts before applying glue.

Attach the TENDER to the FRAME



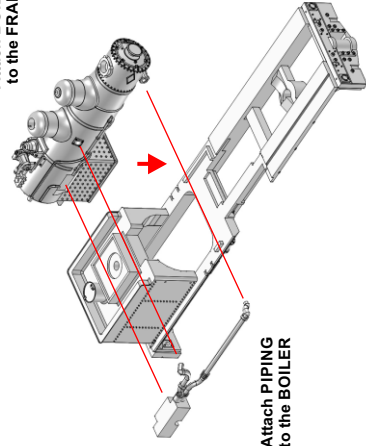
Apply glue on inside to the joint area between the TENDER and the FRAME to increase the strength of the joint area



Drive the included 1-72 Hex Bolt into bolster hole. It should thread itself into the hole.

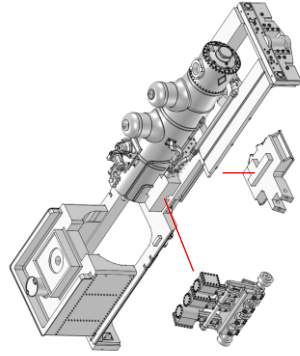
STEP 4

Attach BOILER to the FRAME



Attach PIPING to the BOILER

STEP 5

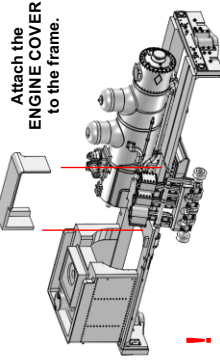


STEP 6

THE CAB NOW COMES AS A 3D PRINTED PART



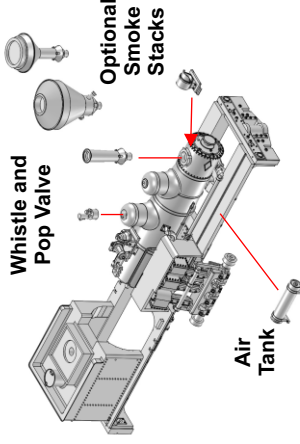
CAREFULLY REMOVE PART SUPPORTS BEFORE PAINTING



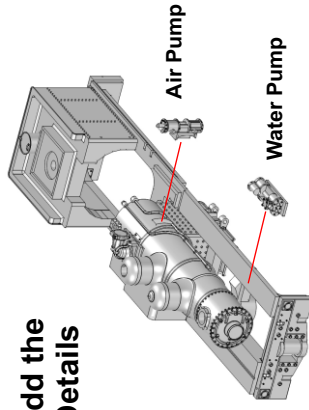
Attach the ENGINE COVER to the frame.

Paint the assembled CAB before attaching to the frame.

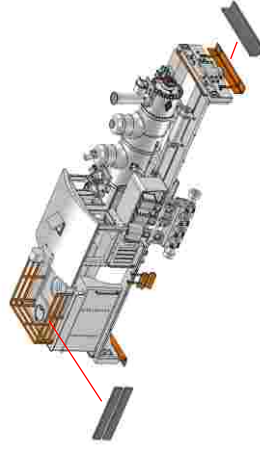
STEP 7



Add the Details



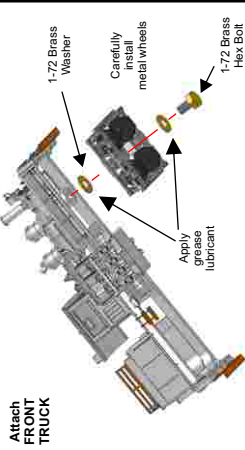
We recommend attaching the Photo-Etch and fiber board details at this point (See Page 2).



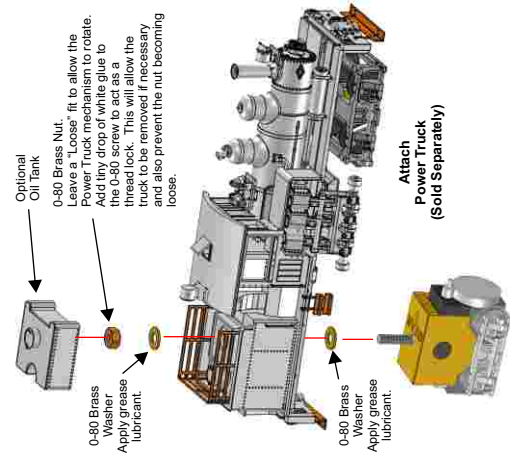
We painted the completed Main assembly and the completed Cab assembly at this point before attaching the Front Truck or the PowerMax mechanism.

We used Testors Flat Black Spray. (See Painting on page 2)

STEP 8



STEP 9



N Scale Class B, 26 Ton Shay

This Two Truck Shay shell kit is designed to work with our own power truck (sold separately).

Parts are included to build the Shay as a wood, coal or oil burning locomotive.

We recommend assembly using Duro brand CA adhesive (Super Glue).

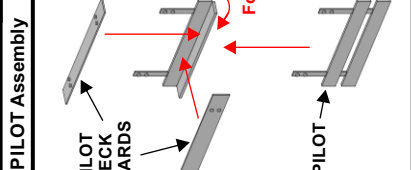
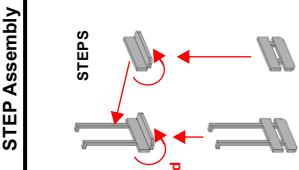
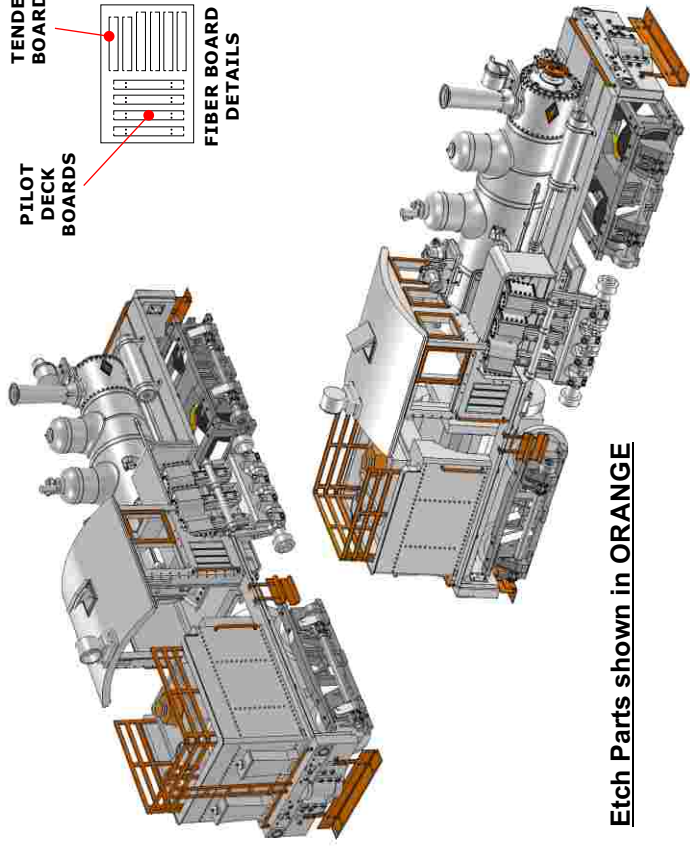
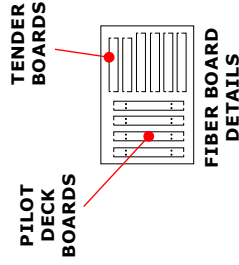


Photo-Etch Parts Assembly and Placement

Painting

Testor's Flat Black Spray paint is a good choice. This paint is very thin, covers well and is durable. We recommend that you use a metal surface primer first if you plan to paint the model.



Etch Parts shown in **ORANGE**

PARTS LIST

