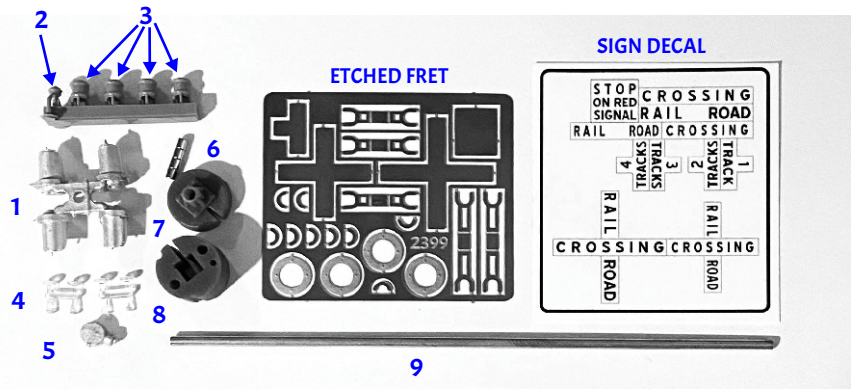
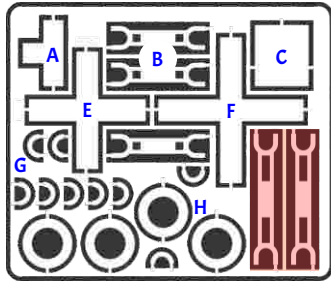
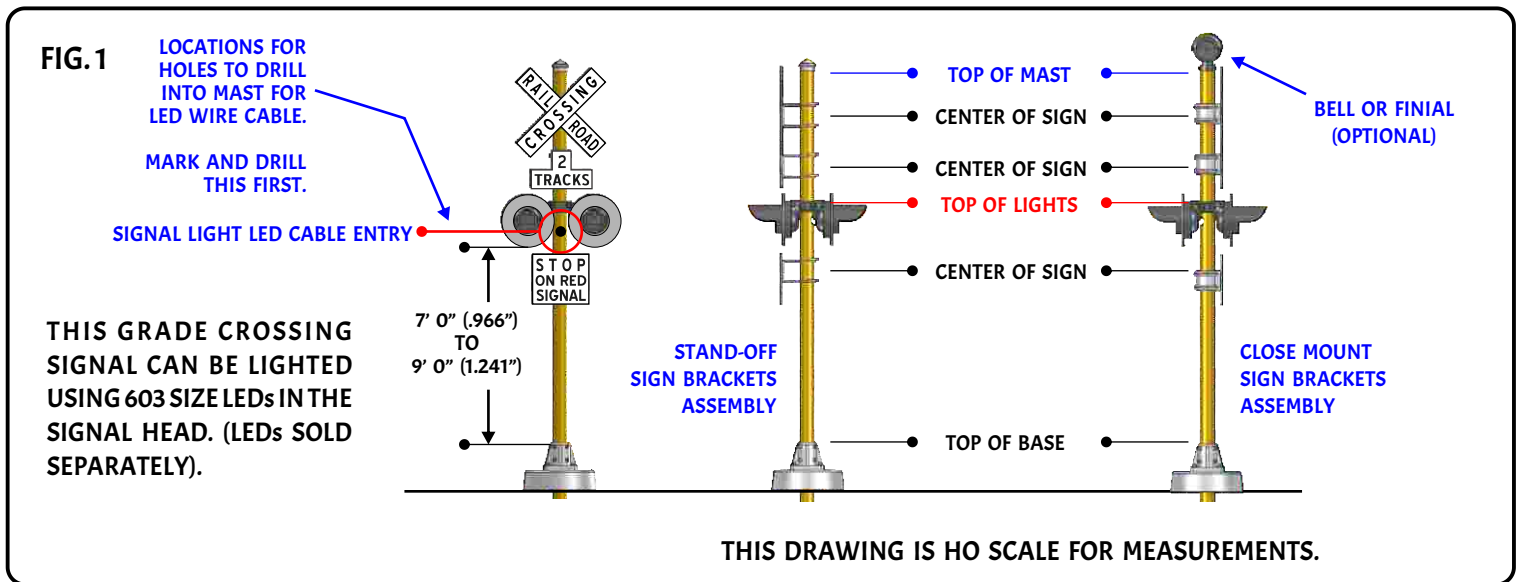


PARTS



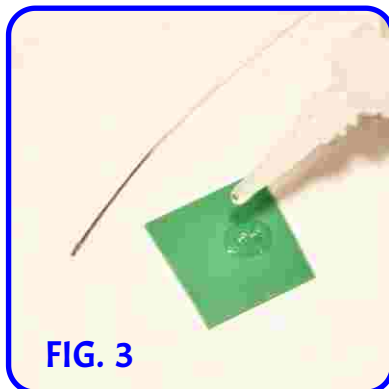
WE HIGHLY RECOMMEND THAT YOU READ THROUGH THE ASSEMBLY STEPS AND STUDY THE DIAGRAMS AND NOTES CLOSELY TO FAMILIARIZE YOURSELF WITH OUR SUGGESTED ASSEMBLY METHOD.



LAY THE BRASS MAST TUBE DIRECTLY ON THE SUPPLIED SCALE DRAWING (FIG. 1) AND MARK THE LOCATIONS FOR THE TOP OF THE CONTROL BOX, LIGHTS, SIGN CENTERS AND BASE (FIG. 2)

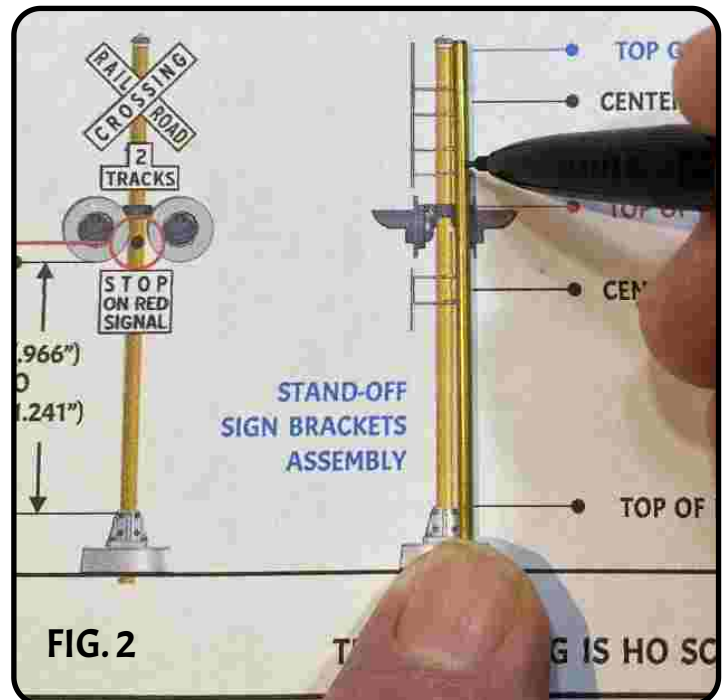
PARTS AND ASSEMBLIES CAN BE ATTACHED TO THE MAST WITH TINY DROPS OF CANOPY GLUE AND THEN PERMANENTLY ATTACHED USING TINY DROPS OF CA GLUE TO HOLD THEM IN PLACE.

SEE "MICRO-GLUEING" BELOW



MICRO-GLUEING

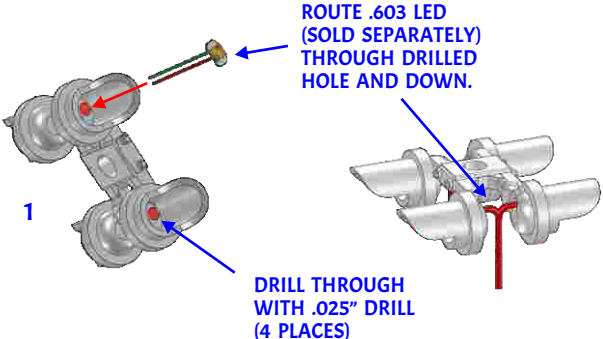
APPLY SEVERAL DROPS OF SUPER GLUE TO A PLASTIC SURFACE FOR A RESERVOIR AND USE A SHORT LENGTH OF FINE WIRE TO DIP OUT A TINY DROP OF GLUE (FIG. 3).



STEP 1 IF NECESSARY, CAREFULLY STRAIGHTEN AND ALIGN THE LIGHT FIXTURE (1) THEN DRILL THROUGH THE BACK WITH A .02" OR .025" DRILL TO ALLOW THE LED WIRES TO PASS THROUGH THE FIXTURE AS INDICATED. USE CANOPY GLUE TO HOLD THE LEDS IN THE FIXTURE HEAD,

ROUTE .603 LED (SOLD SEPARATELY) THROUGH DRILLED HOLE AND DOWN.

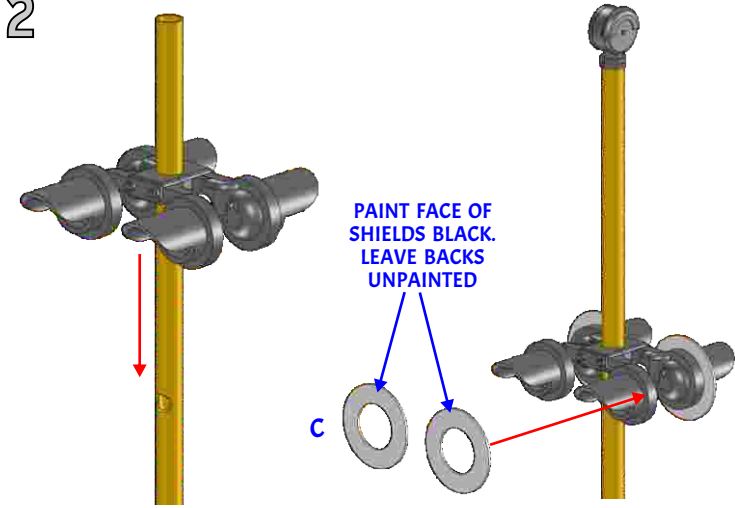
DRILL THROUGH WITH .025" DRILL (4 PLACES)



STEP 2

PAINT FACE OF SHIELDS BLACK. LEAVE BACKS UNPAINTED

C



STEP 3

OPTIONAL (2) OR (5)

APPLY DECAL TO WHITE PAINTED SIGN

STAND-OFF BRACKETS

B,G MAST BRACKETS

ONCE FOLDED, APPLY A TINY DROP OF SUPER GLUE TO FOLDED JOINT FOR STRENGTH

OPTIONAL

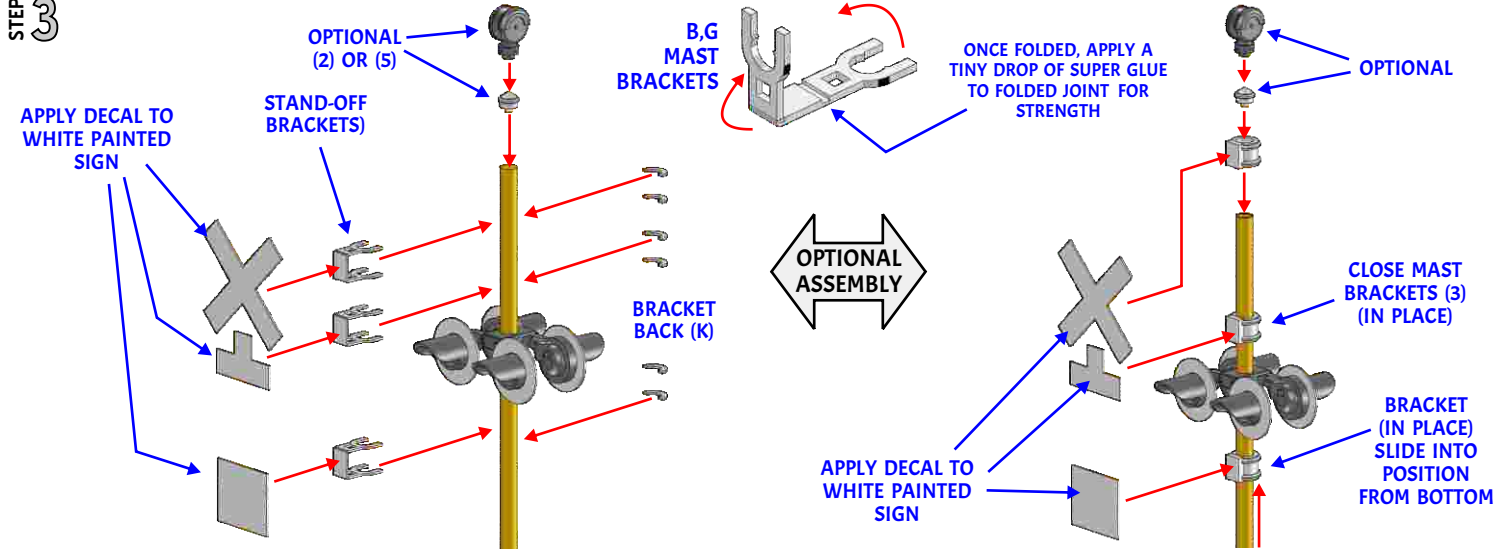
BRACKET BACK (K)

OPTIONAL ASSEMBLY

APPLY DECAL TO WHITE PAINTED SIGN

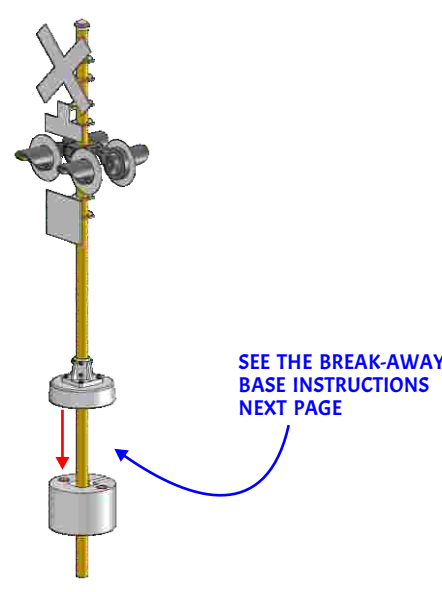
CLOSE MAST BRACKETS (3) (IN PLACE)

BRACKET (IN PLACE) SLIDE INTO POSITION FROM BOTTOM



STEP 4

SEE THE BREAK-AWAY BASE INSTRUCTIONS NEXT PAGE



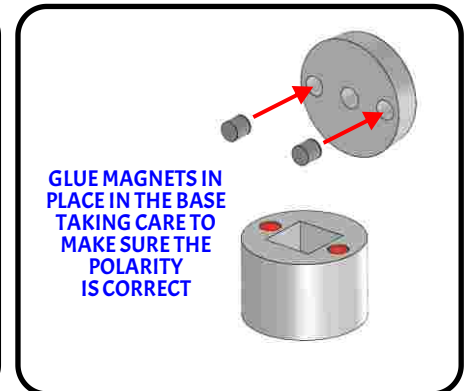
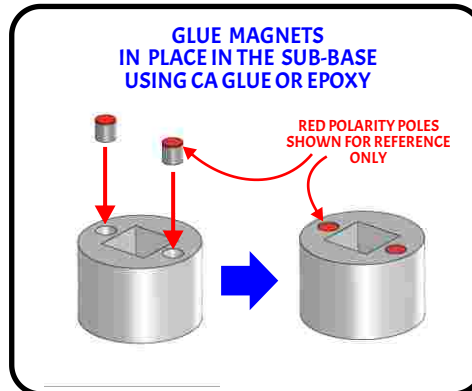
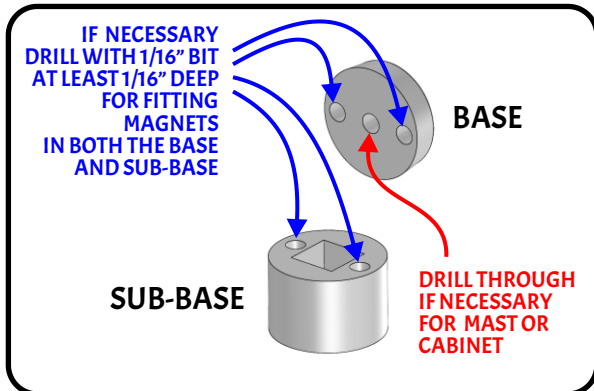
PAINTING AND FINISHING

WE RECOMMEND PAINTING THE MODEL 10 CROSSING SIGNAL AFTER COMPLETION EXCEPT FOR THE CROSSING ARM ASSEMBLY. IT SHOULD BE PAINTED BEFORE ATTACHING TO THE MAST ASSEMBLY.

WE RECOMMEND AN ALUMINUM SILVER PAINT FOR THE OVERALL COLOR WITH FLAT BLACK HOODS AND HOOD SHIELDS. TO PREVENT PAINT COVERING THE ALREADY INSTALLED LEDs, COVER THE LEDs WITH A TINY BIT OF CLAY OR MASKING TAPE.

INSTRUCTIONS ARE SHOWN BELOW FOR USING OUR BREAK-AWAY SIGNAL BASE (SKU#2365) WITH THIS GRADE CROSSING SIGNAL IF YOU DECIDE TO USE THIS.

BREAK-AWAY BASE ASSEMBLY



CUT THE MAST/TUBE FLUSH WITH THE BOTTOM OF THE BASE TO ALLOW THE SIGNAL ASSEMBLY TO TIP OVER WITHOUT BEING DAMAGED.

THE SUB-BASE CAN BE MOUNTED AT OR JUST BELOW "GROUND" LEVEL WITH THE BASE SITTING AT "GROUND" LEVEL

WATERSLIDE DECALS:

[Visit our painting and finishing tips on our website](#)

WATERSLIDE DECALS ARE NOT PRE-CUT AND MUST BE CUT AS CLOSE TO THE EDGE OF THE GRAPHIC AS POSSIBLE. SOAK 30-45 SECONDS, FACE UP, FLOATING ON SURFACE OF ROOM TEMP. WATER.

SLIDE THE DECAL OFF THE BACKING PAPER ONTO THE SURFACE OF THE PART