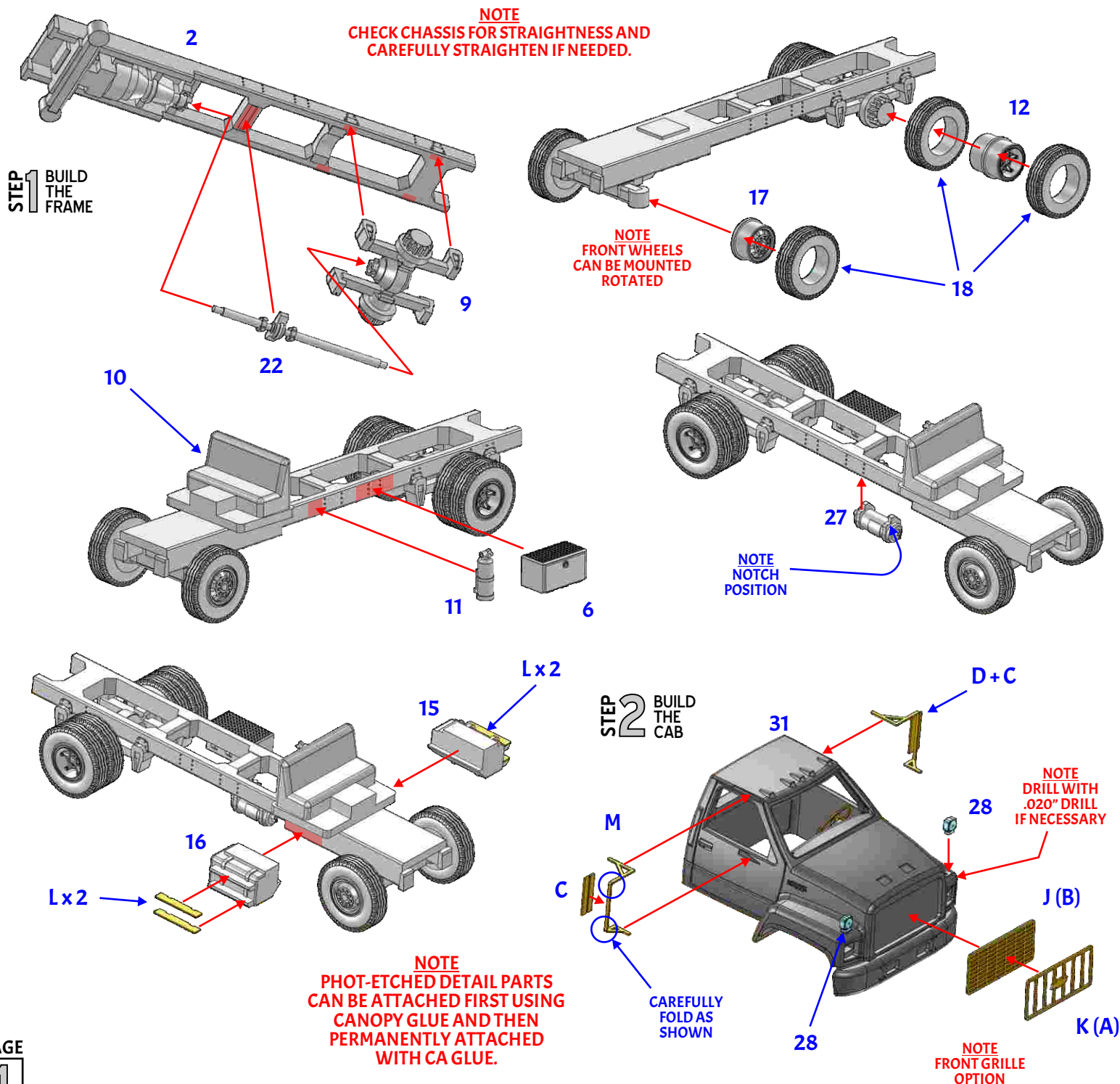


PLEASE !! READ THROUGH ALL OF THE INSTRUCTION STEPS BEFORE STARTING AND TEST-FIT ASSEMBLIES BEFORE APPLYING GLUE. THIS KIT CAN BE BUILT IN DIFFERENT STEPS SO THESE INSTRUCTIONS ARE GUIDELINES TO SHOW YOU WHERE THE PARTS ARE PLACED.

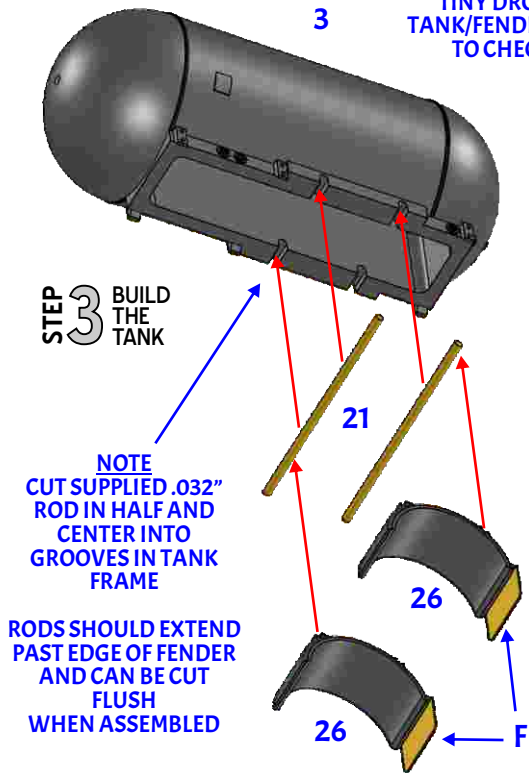
ALL PARTS MAY BE PAINTED INDIVIDUALLY BEFORE ASSEMBLY OR, CAN BE BUILT INTO SUB-ASSEMBLIES AND THEN PAINTED. WE RECOMMEND THAT YOU WASH ALL METAL PARTS IN EITHER WARM, SOAPY WATER OR ALCOHOL (OUR PREFERENCE). RESIN PARTS SHOULD BE WASHED IN WARM, SOAPY WATER. ALLOW ALL PARTS TO DRY COMPLETELY BEFORE PAINTING OR ASSEMBLING. WE RECOMMEND A GOOD LAQUER BASED PRIMER FOR METAL AND RESIN PARTS. OUR RECOMMENDED PRIMER IS TAMIYA BRAND SURFACE PRIMER. EITHER ACRYLIC OR ENAMEL PAINTS CAN BE USED ONCE THE ASSEMBLIES ARE PRIMED. WE RECOMMEND VALLEJO BRAND ACRYLIC PAINTS FOR THIS KIT.

WATERSLIDE DECALS ARE NOT PRE-CUT AND MUST BE CUT AS CLOSE TO THE EDGE OF THE GRAPHIC AS POSSIBLE. SOAK 30 - 45 SECONDS, FACE UP, FLOATING ON THE SURFACE OF ROOM TEMPERATURE WATER.



NOTE
 ATTACH FENDERS (26) TO ROD (21) WITH
 TINY DROPS OF CANOPY GLUE THEN TEST FIT
 TANK/FENDER ASSEMBLY ONTO FRAME ASSEMBLY.
 TO CHECK FOR CLEARANCE OVER AXLE (9).

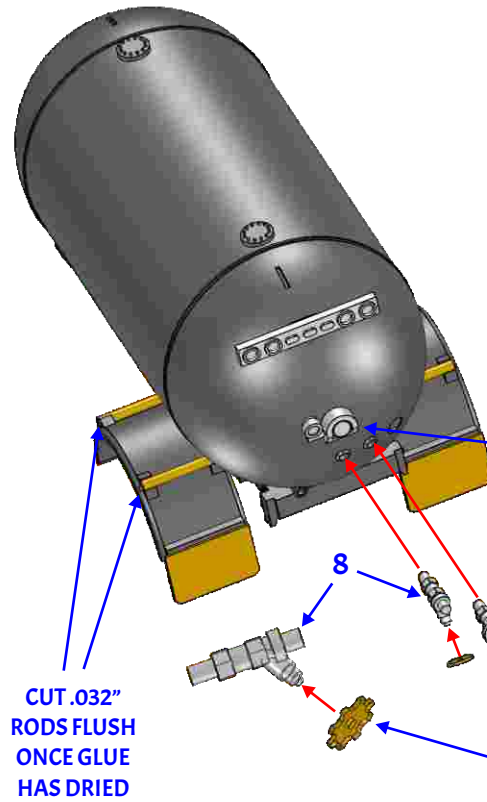
NOTE
 ONCE CLEARANCE IS ADJUSTED, CA GLUE CAN BE
 APPLIED TO FENDER/ROD TO HARDEN ASSEMBLY.
 THEN CUT RODS FLUSH WITH FENDER.



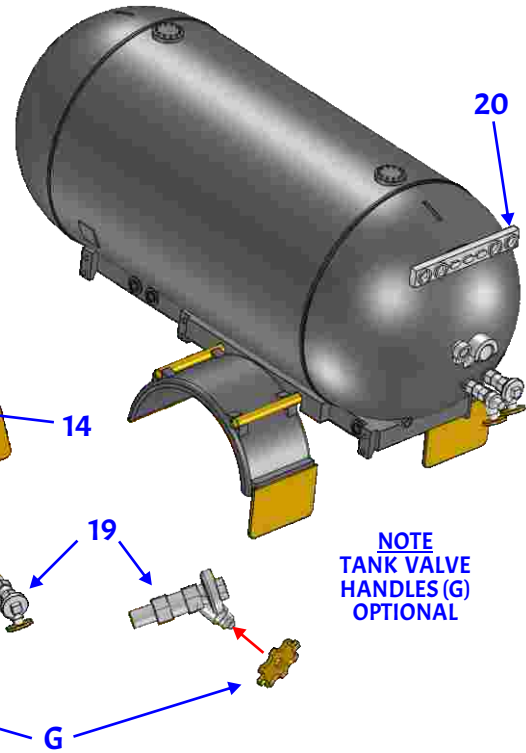
STEP 3
 BUILD
 THE
 TANK

NOTE
 CUT SUPPLIED .032"
 ROD IN HALF AND
 CENTER INTO
 GROOVES IN TANK
 FRAME

RODS SHOULD EXTEND
 PAST EDGE OF FENDER
 AND CAN BE CUT
 FLUSH
 WHEN ASSEMBLED

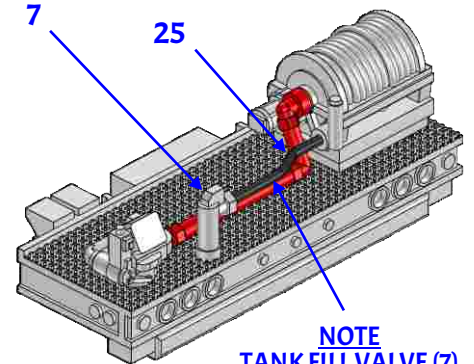
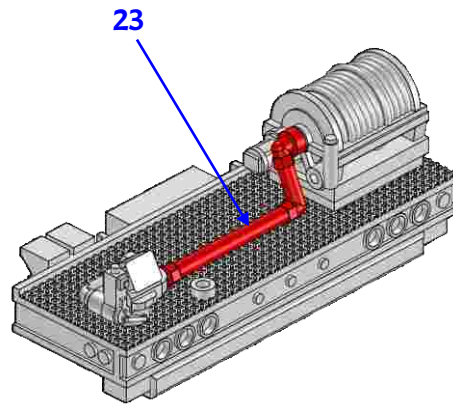
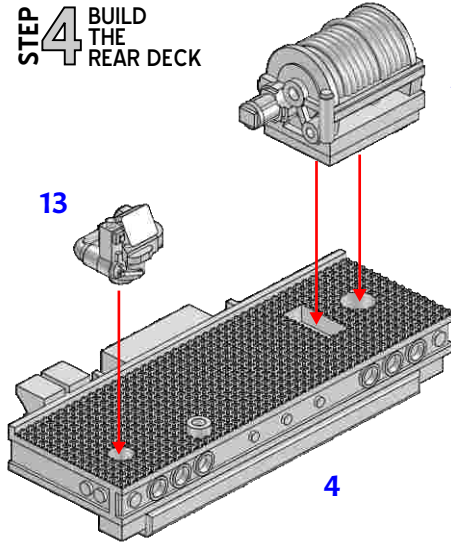


CUT .032"
 RODS FLUSH
 ONCE GLUE
 HAS DRIED

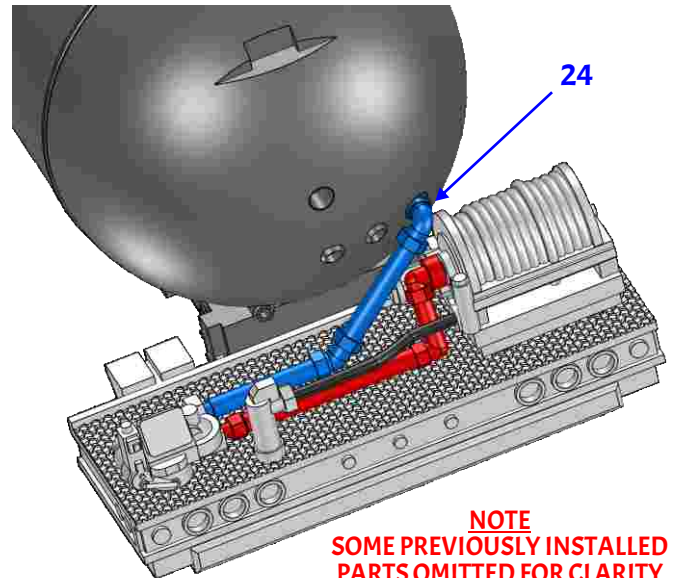
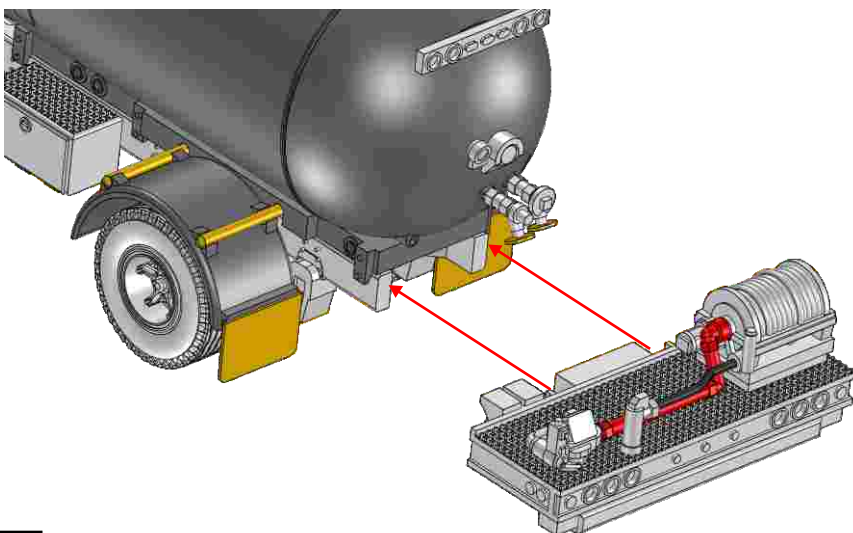


NOTE
 TANK VALVE
 HANDLES (G)
 OPTIONAL

STEP 4
 BUILD
 THE
 REAR
 DECK

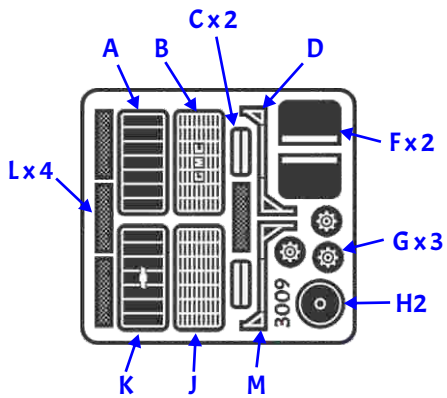


NOTE
 TANK FILL VALVE (7)
 CAN BE PLACED AWAY
 FROM FRAME USING
 THE WIRE (25) INCLUDED



NOTE
 SOME PREVIOUSLY INSTALLED
 PARTS OMITTED FOR CLARITY

PARTS

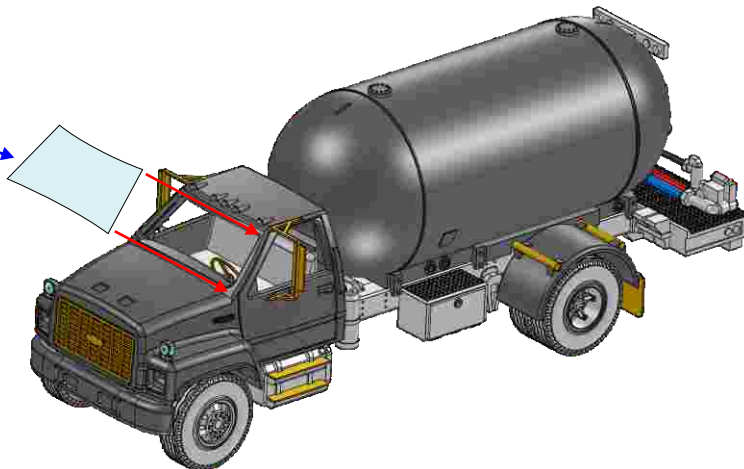


NOTE:
PART LABEL (I)
OMITTED

PHOT-ETCH
SEE ABOVE



CAREFULLY CUT
WINDSHIELD FROM CLEAR
VACUUMFORMED PART (29)
AND APPLY LAST TO
OUTSIDE OF CAB,
USING CANOPY GLUE,
AFTER PAINTING
IS COMPLETE



AS WITH ALL OF OUR KITS WE HOPE YOU ENJOY BUILDING AND FINISHING THIS MODEL.

PLEASE VISIT OUR WEBSITE AT WWW.SHOWCASEMINIATURES.NET TO ENSURE THAT YOU HAVE THE LATEST VERSION OF THE ASSEMBLY INSTRUCTIONS.