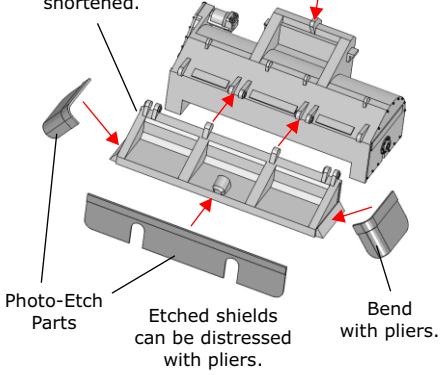


**Assembly (A)**

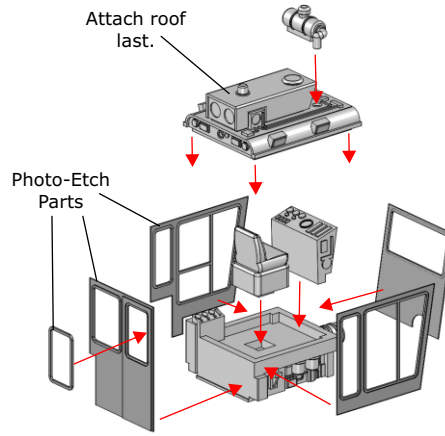
The Shroud can pivot. The cylinder rod will need to be shortened.



**Assembly (B)**

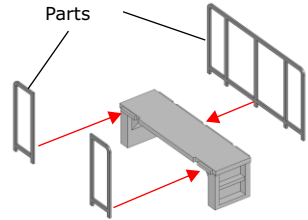
Attach roof last.

Photo-Etch Parts



**Assembly (C)**

Photo-Etch Parts

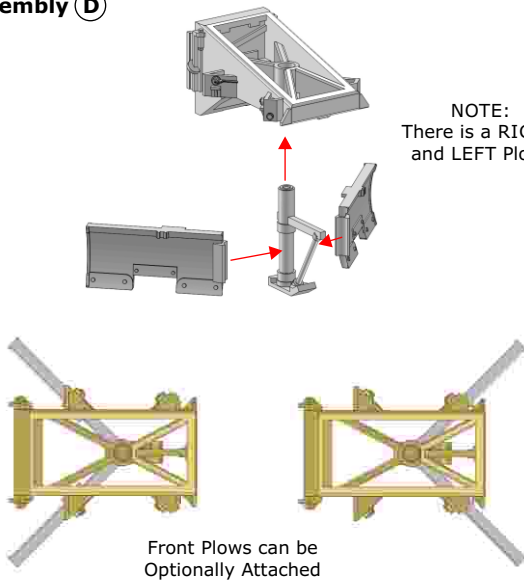


**SHOWCASE**  
*Miniatures*

**N Scale Ballast Regulator #58**

**Assembly (D)**

NOTE: There is a RIGHT and LEFT Plow.



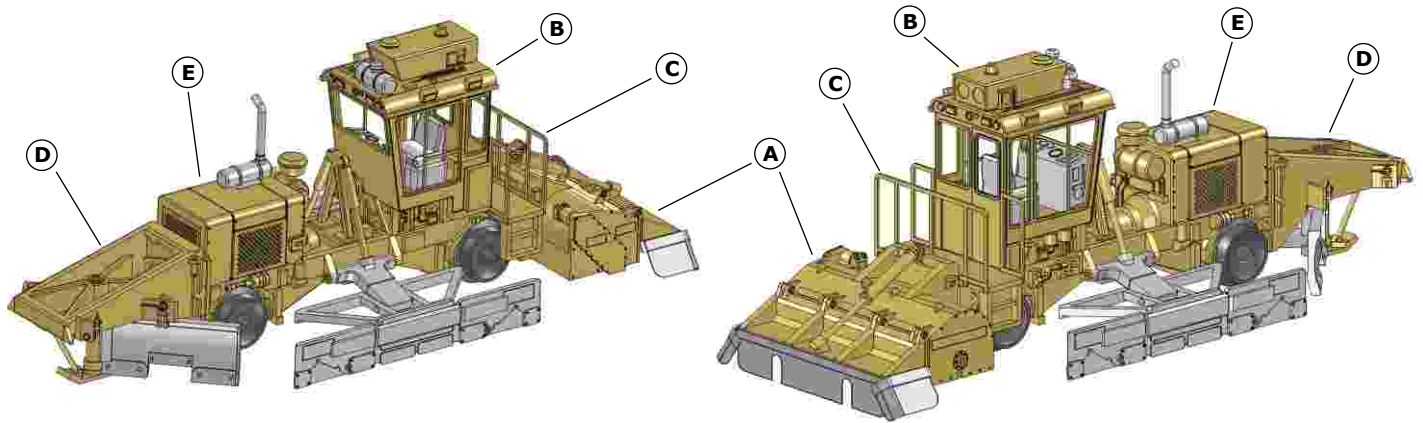
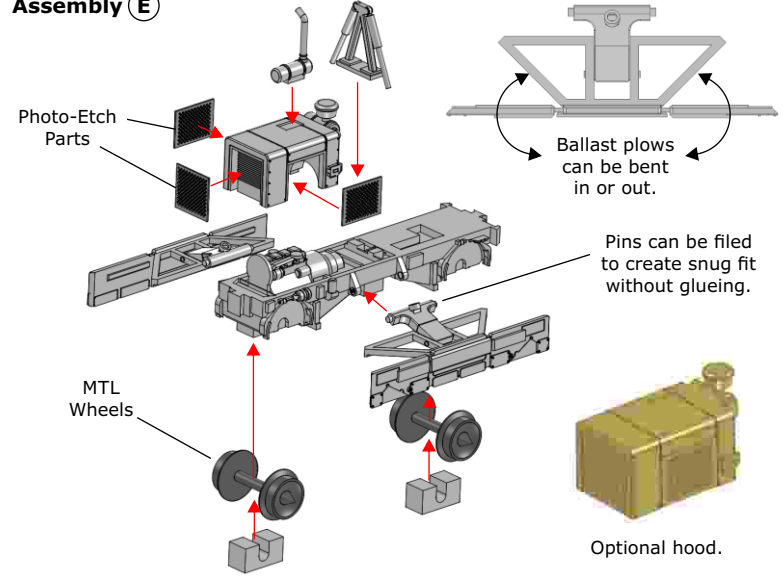
**Assembly (E)**

Photo-Etch Parts

MTL Wheels

Ballast plows can be bent in or out.

Pins can be filed to create snug fit without glueing.



**SHOWCASE**  
*Miniatures*

N Scale  
Ballast Regulator

58



**N SCALE**  
1:160  
*Precision Metal Castings*

**SHOWCASE**  
*Miniatures*

N Scale  
Ballast Regulator

58



**N SCALE**  
1:160  
*Precision Metal Castings*

**SHOWCASE**  
*Miniatures*

N Scale  
Ballast Regulator

58



**N SCALE**  
1:160  
*Precision Metal Castings*

**SHOWCASE**  
*Miniatures*

N Scale  
Ballast Regulator

58



**N SCALE**  
1:160  
*Precision Metal Castings*

**SHOWCASE**  
*Miniatures*

N Scale  
Ballast Regulator

58



**N SCALE**  
1:160  
*Precision Metal Castings*

**SHOWCASE**  
*Miniatures*

N Scale  
Ballast Regulator

58



**N SCALE**  
1:160  
*Precision Metal Castings*

**SHOWCASE**  
*Miniatures*

N Scale  
Ballast Regulator

58



**N SCALE**  
1:160  
*Precision Metal Castings*

**SHOWCASE**  
*Miniatures*

N Scale  
Ballast Regulator

58



**N SCALE**  
1:160  
*Precision Metal Castings*