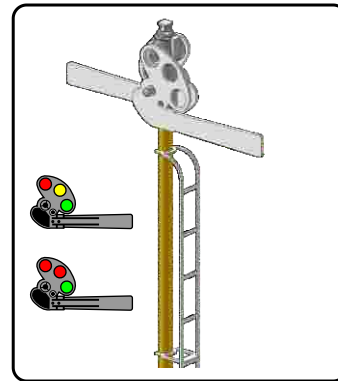
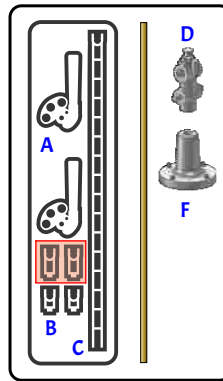
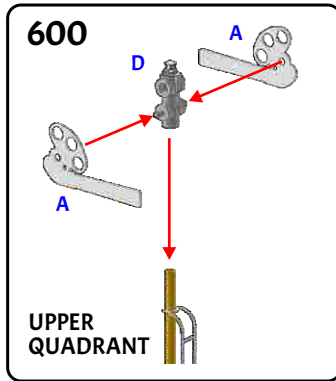
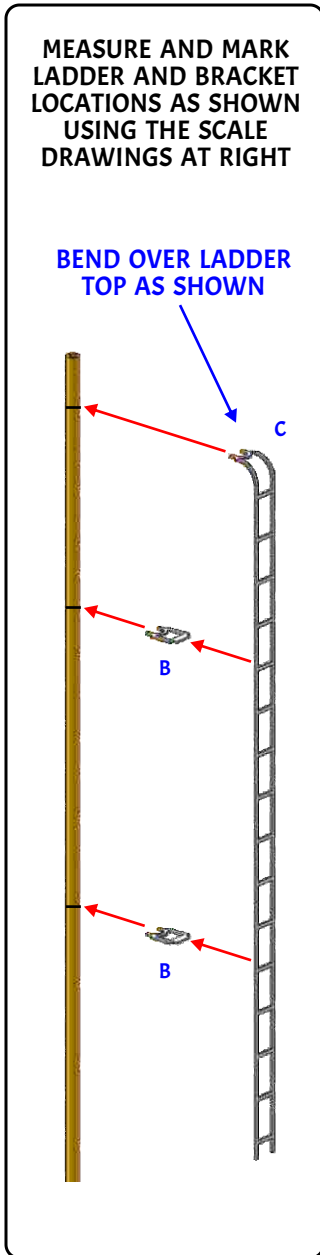
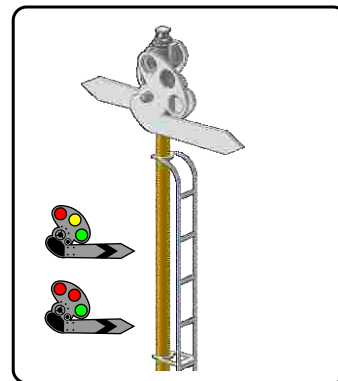
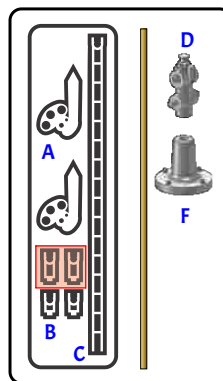
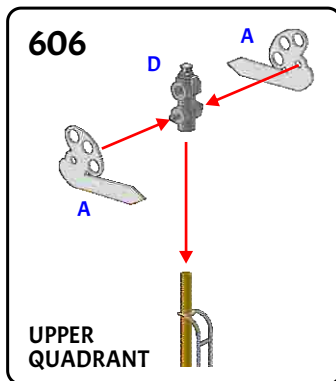


THESE INSTRUCTIONS APPLY FOR 600, 606 AND 607
TRAIN ORDER SIGNALS

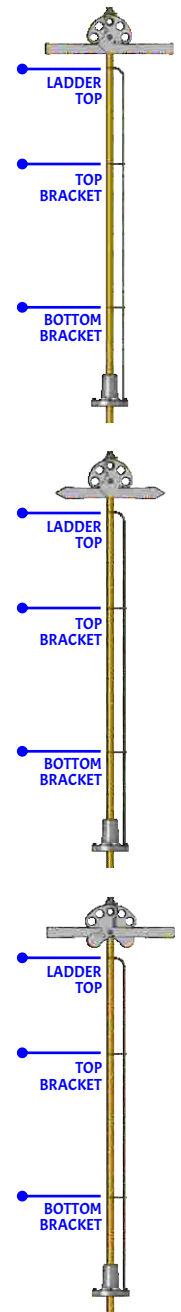
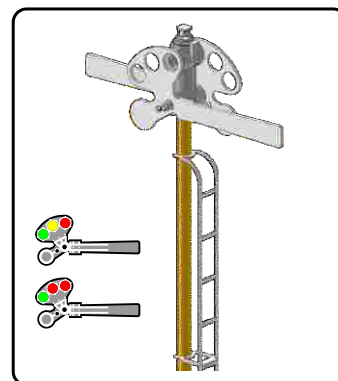
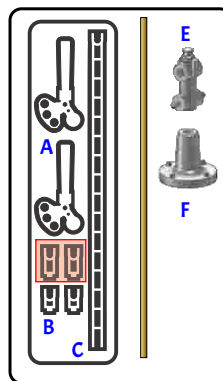
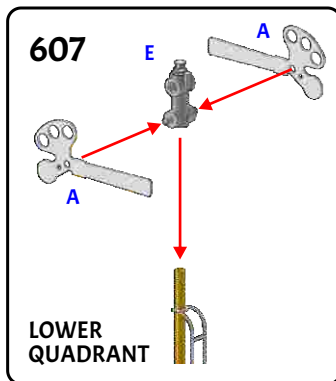
DRAWINGS
AREN SCALE



PARTS HIGHLIGHTED IN RED CAN BE USED TO BUILD AN ANGLED LADDER



PARTS HIGHLIGHTED IN RED CAN BE USED TO BUILD AN ANGLED LADDER



1. APPLY CANOPY GLUE TO THE MARKED LOCATIONS ON THE MAST TUBE AND ALLOW TO DRY. THIS WILL ALLOW YOU TO TEMPORARILY ATTACH THE BRACKETS AND MAST TOP TO THE MAST TUBE.
2. ONCE THE CANOPY GLUE HAS DRIED, ATTACH THE LADDER BRACKETS TO THE TUBE AND THEN ATTACH THE LADDER TOP TO THE TUBE. ALIGN THE LADDER BRACKETS PERPENDICULAR TO THE MAST AN APPLY A TINY DROP OF CA (SUPER GLUE) TO THE POINTS WHERE THE BRACKETS AND LADDER TOUCH. YOU CAN ALSO APPLY CA GLUE TO THE POINTS WHERE THE BRACKETS ARE ATTACHED TO THE MAST TUBE. THIS WILL STRENGTHEN THE ASSEMBLY.
3. MICRO KRISTAL KLEAR CAN BE USED TO FILL IN THE ROUNDELS OF THE SPECTACLE. ONCE THIS HAS DRIED CLEAR, THE ROUNDEL (LENSES) CAN BE PAINTED WITH TRANSPARENT RED, GREEN AND YELLOW PAINT.
4. ASSEMBLE THE TOP OF THE SIGNAL WITH CA GLUE AND THEN ATTACH IT TO THE TOP OF THE MAST TUBE.
5. SLIDE THE BASE UP THE TUBE TO THE DESIRED SIGNAL HEIGHT AND CUT THE LADDER TO LENGTH (IF NECESSARY).

THESE SIGNALS CAN BE LIGHTED USING A 0201 LED. THESE CAN BE FOUND ON EBAY IN DIFFERENT COLORS.