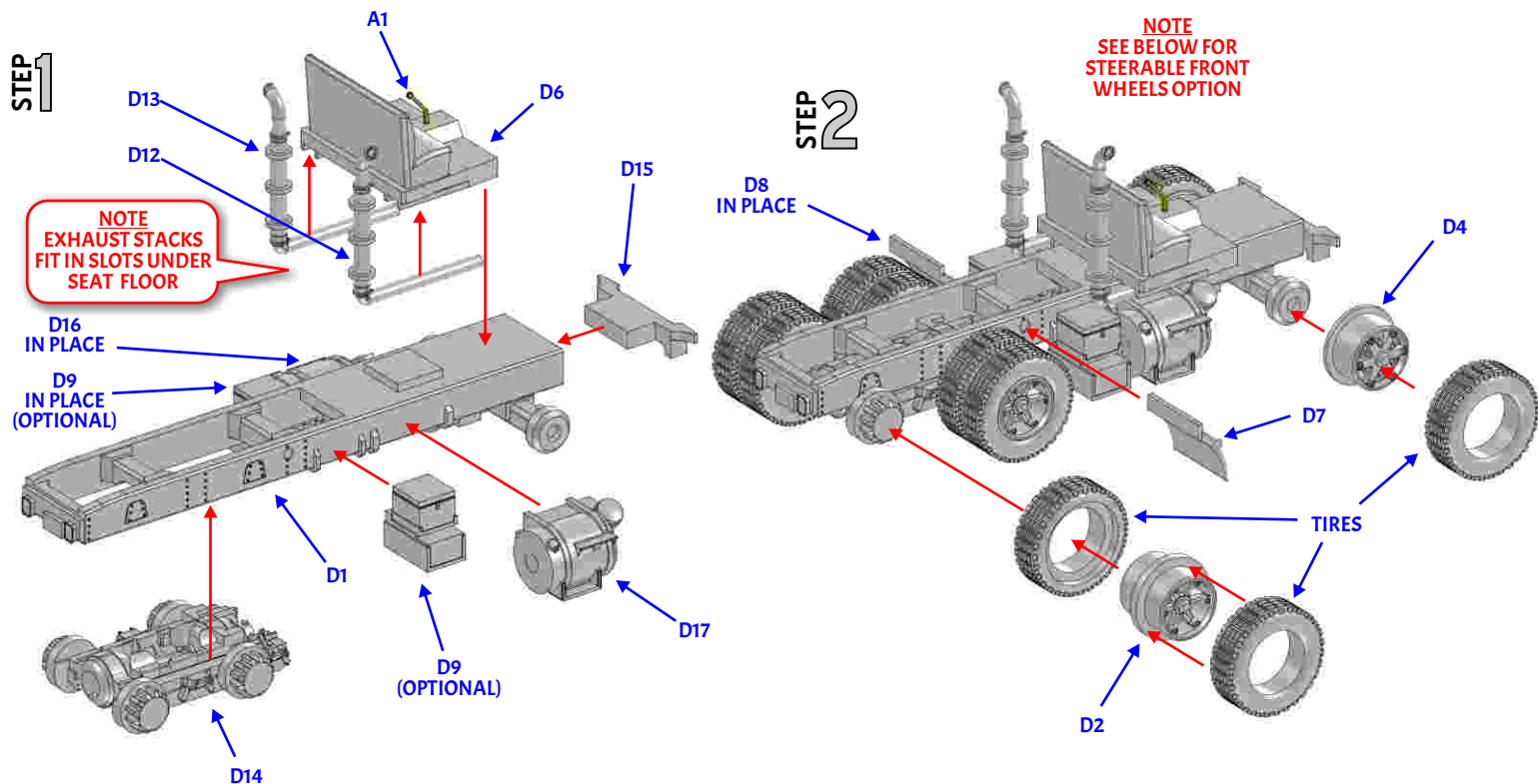


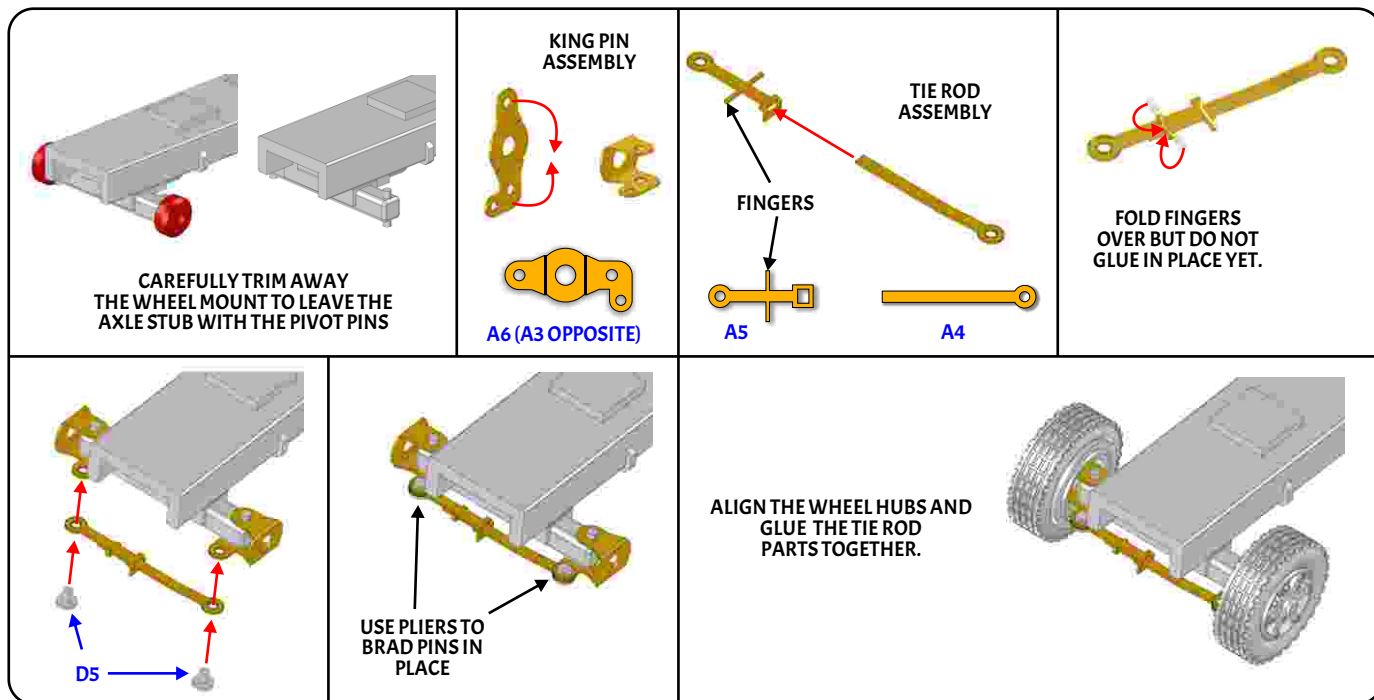
PLEASE !! READ THROUGH ALL OF THE INSTRUCTION STEPS BEFORE STARTING. THIS KIT CAN BE BUILT IN DIFFERENT STEPS SO THESE INSTRUCTIONS ARE GUIDELINES TO SHOW YOU WHERE THE PARTS ARE PLACED.

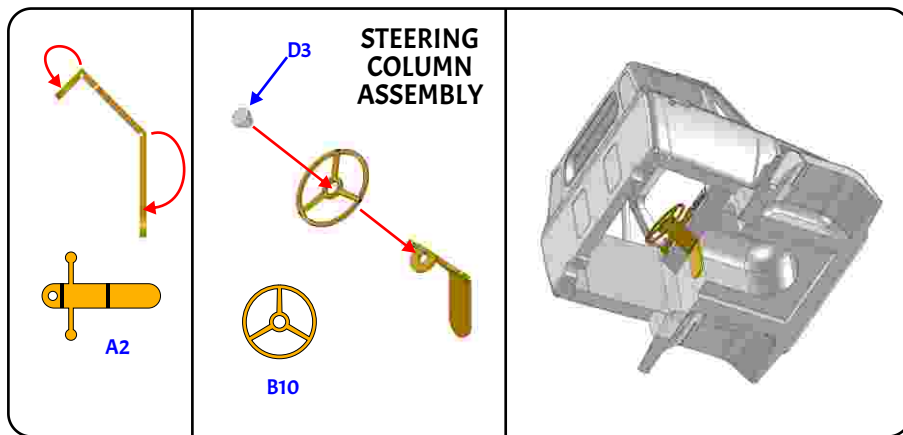
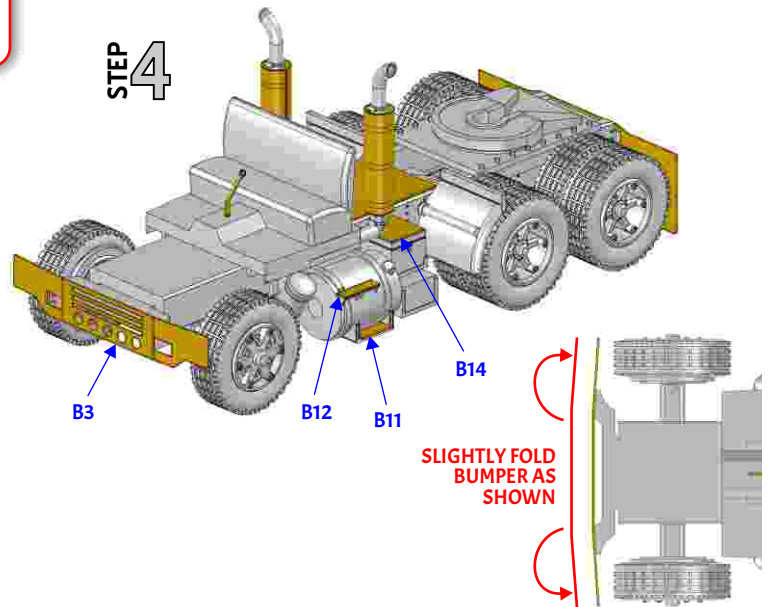
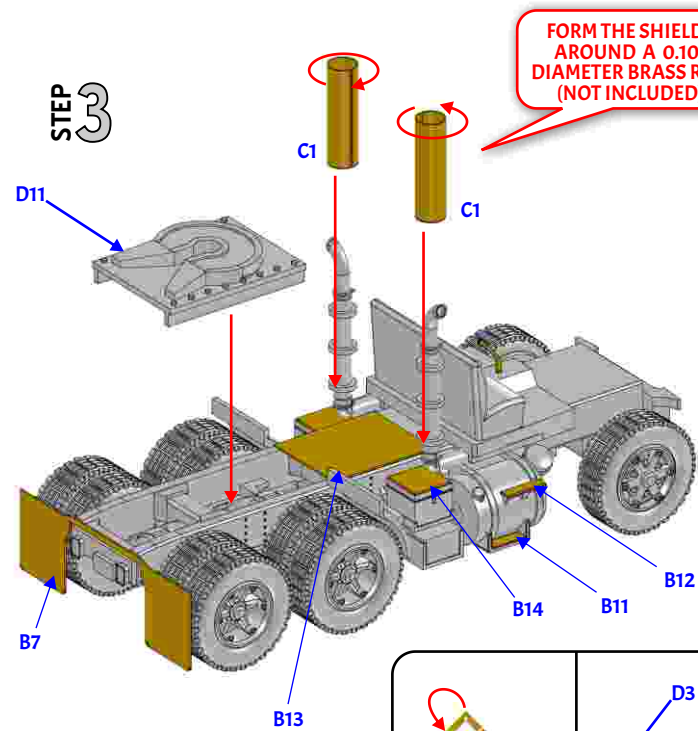
ALL PARTS MAY BE PAINTED INDIVIDUALLY BEFORE ASSEMBLY OR, CAN BE BUILT INTO SUB-ASSEMBLIES AND THEN PAINTED. WE RECOMMEND THAT YOU WASH ALL METAL PARTS IN EITHER WARM, SOAPY WATER OR ALCOHOL (OUR PREFERENCE). RESIN PARTS SHOULD BE WASHED IN WARM, SOAPY WATER. ALLOW ALL PARTS TO DRY COMPLETELY BEFORE PAINTING OR ASSEMBLING. WE RECOMMEND A GOOD LAQUER BASED PRIMER FOR METAL AND RESIN PARTS. OUR RECOMMENDED PRIMER IS TAMIYA BRAND SURFACE PRIMER. EITHER ACRYLIC OR ENAMEL PAINTS CAN BE USED ONCE THE ASSEMBLIES ARE PRIMED. WE RECOMMEND VALLEJO BRAND ACRYLIC PAINTS FOR THIS KIT.

WATERSLIDE DECALS ARE NOT PRE-CUT AND MUST BE CUT AS CLOSE TO THE EDGE OF THE GRAPHIC AS POSSIBLE. SOAK 30 - 45 SECONDS, FACE UP, FLOATING ON THE SURFACE OF ROOM TEMPERATURE WATER.



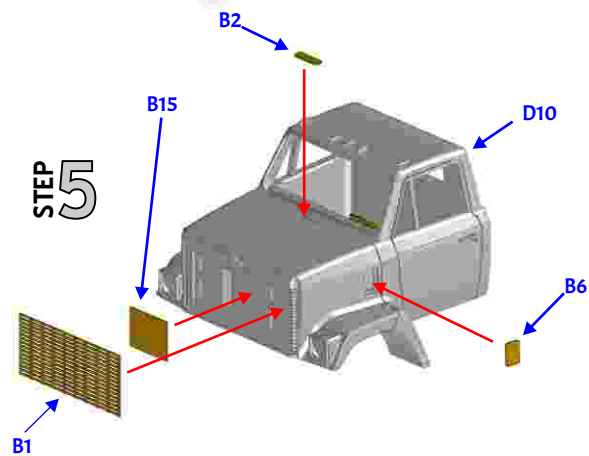
OPTIONAL STEERABLE WHEEL ASSEMBLY





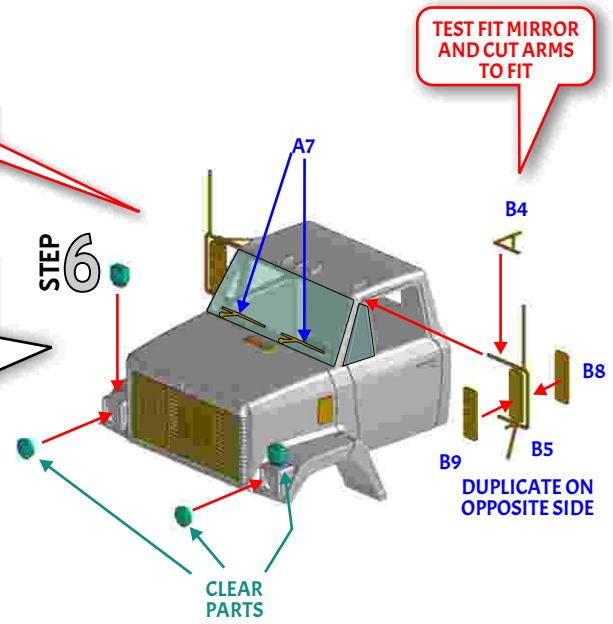
PARTS B2, B6 AND B15 ARE MOLDED INTO THE CAB CASTING.

FOR ADDITIONAL DETAIL, CAREFULLY FILE DOWN THESE PARTS ON THE CASTING AND ADD THE ETCHED PARTS.

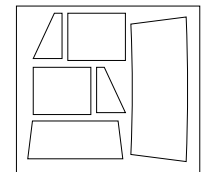
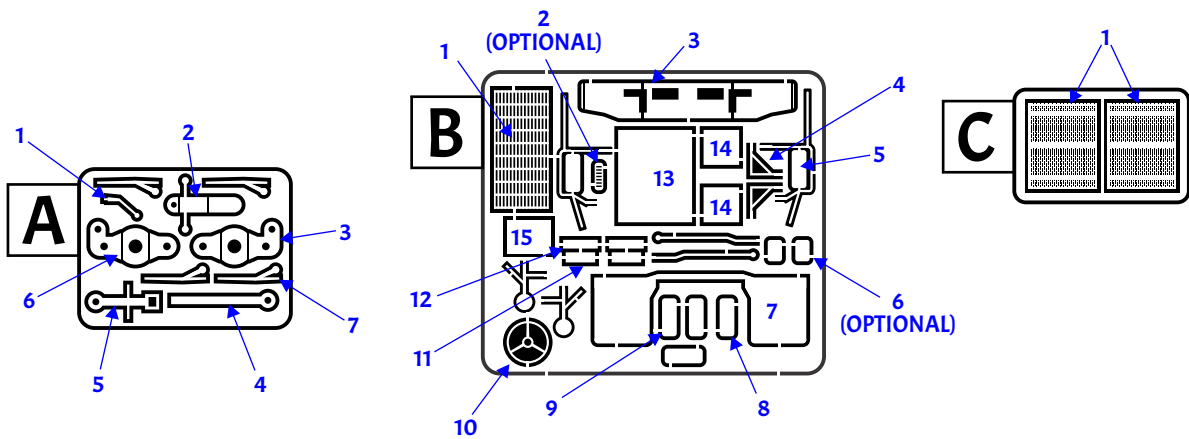


APPLY WINDSHIELD LAST, AFTER PAINTING IS COMPLETE

WINDSHIELD PANELS ARE LASER-CUT LEAVING A BROWN TINTED EDGE. OPTIONALLY, THE WINDSHIELD PARTS CAN BE USED AS PATTERNS FOR CUTTING PANELS FROM CLEAR FILM.

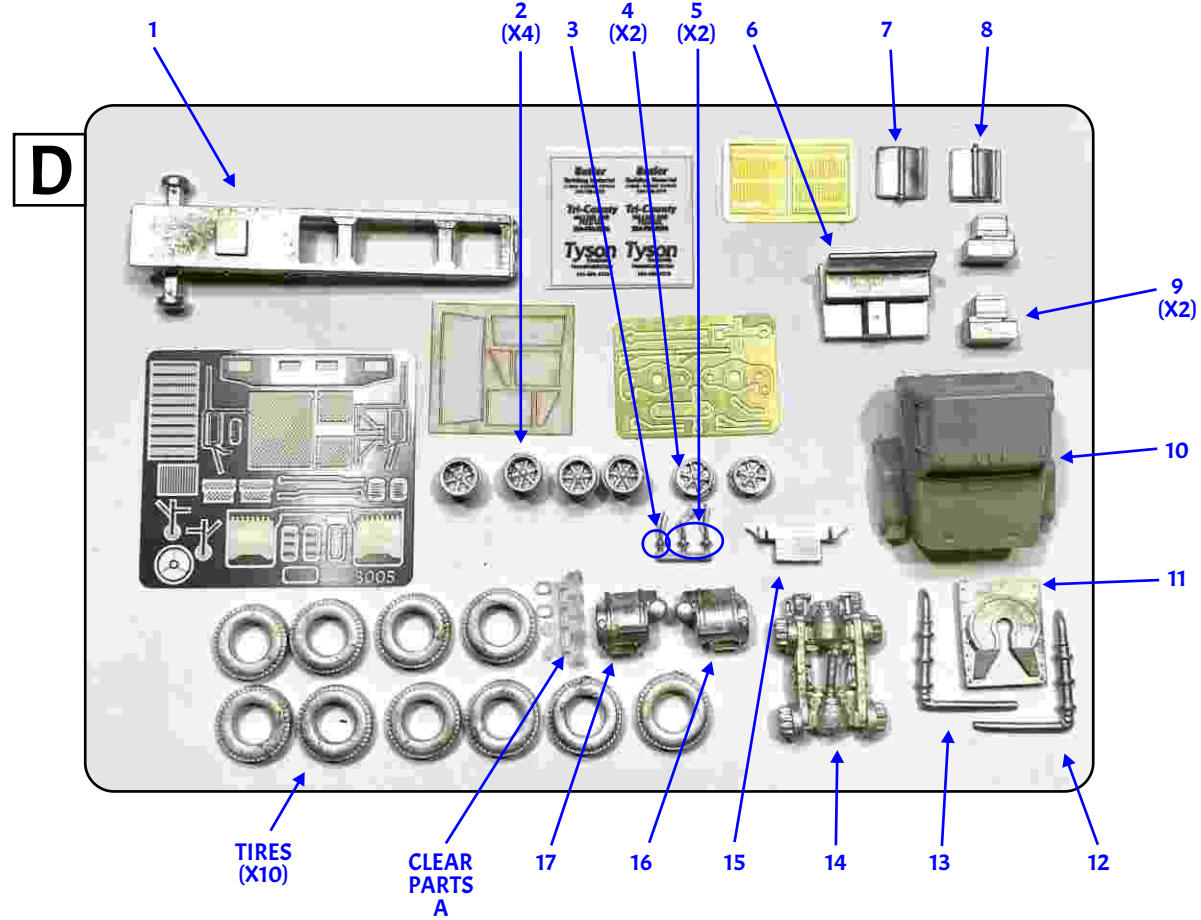


PARTS



WINDSHIELD PARTS

ATTACH WINDSHIELD PANELS WITH PSA CANOPY GLUE TO THE OUTSIDE OF THE CAB LAST AFTER PAINTING



AS WITH ALL OF OUR KITS WE HOPE YOU ENJOY BUILDING AND FINISHING THIS MODEL. PLEASE LET US KNOW OF ANY SUGGESTIONS OR IDEAS YOU MIGHT HAVE TO IMPROVE OUR KITS.

PLEASE VISIT OUR WEBSITE AT WWW.SHOWCASEMINIATURES.NET TO ENSURE THAT YOU HAVE THE LATEST VERSION OF THE ASSEMBLY INSTRUCTIONS.