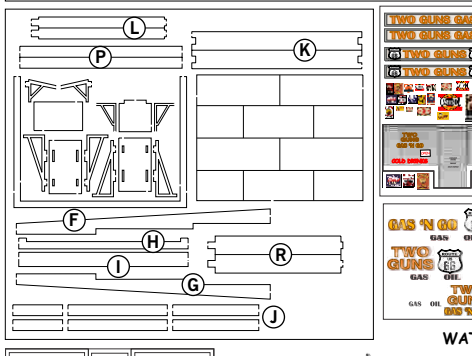
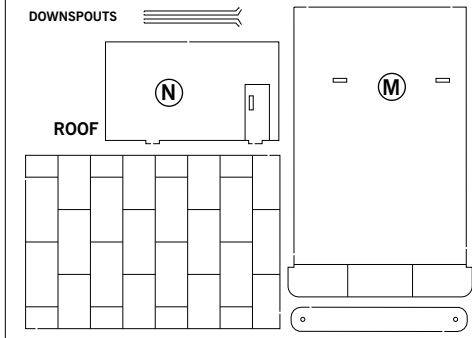
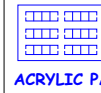
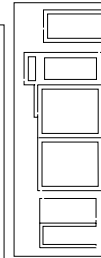
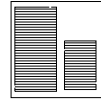
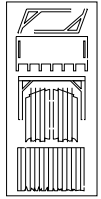
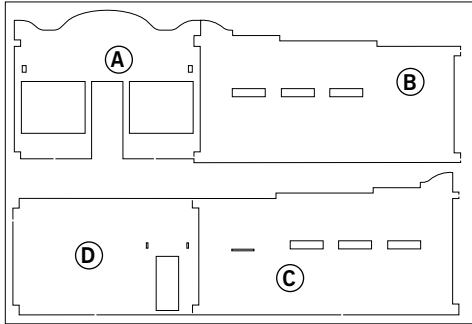
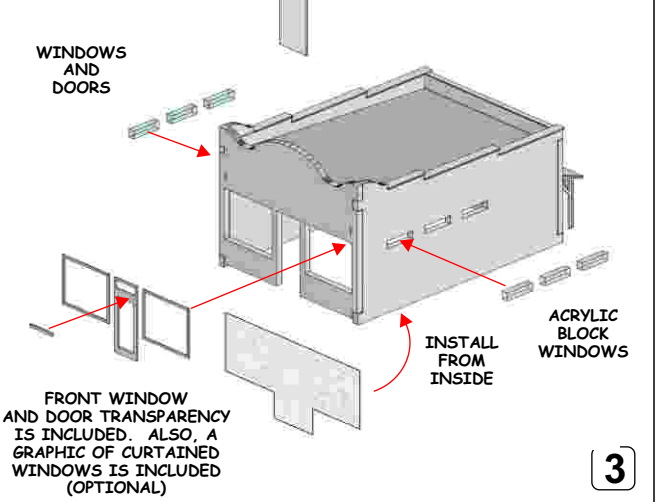
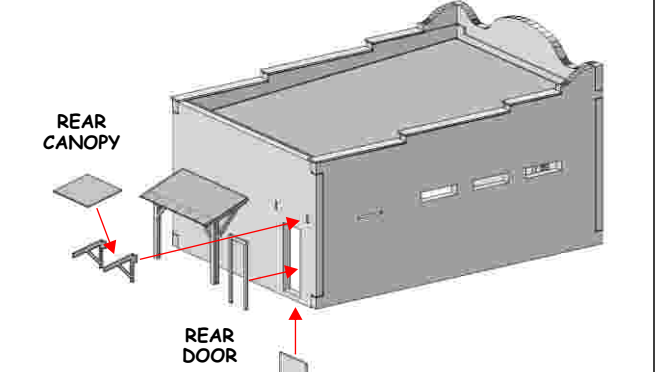
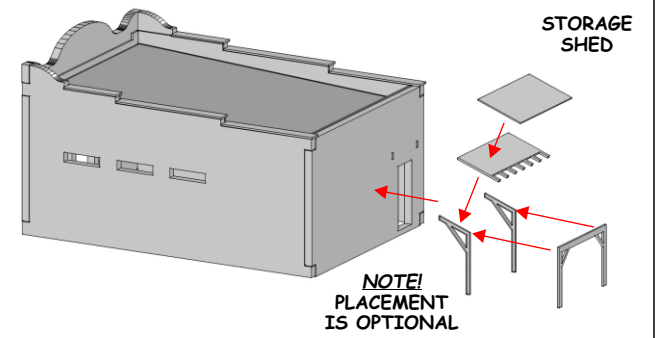
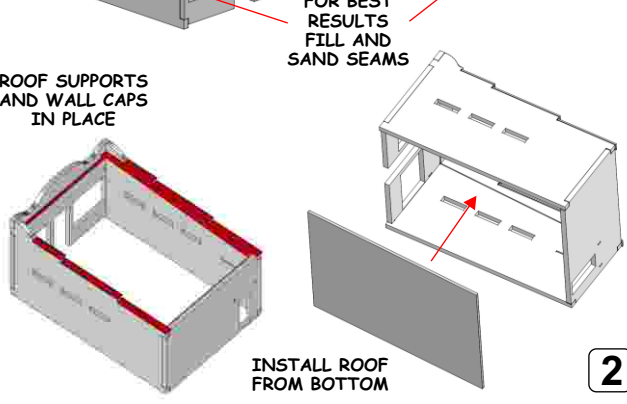
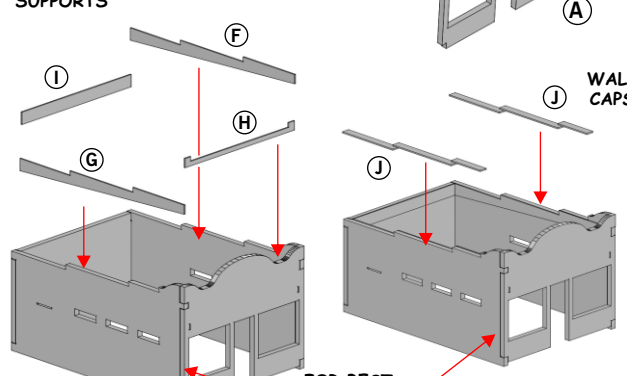
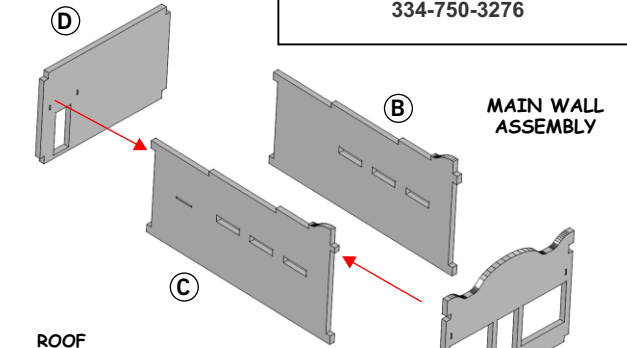


SHOWCASE MINIATURES
TWO GUNS GAS 'N GO ASSEMBLY INSTRUCTIONS
-PARTS LIST-



KIT NUMBER
128

SHOWCASE MINIATURES
www.showcaseminatures.net
d@showcaseminatures.net
334-750-3276

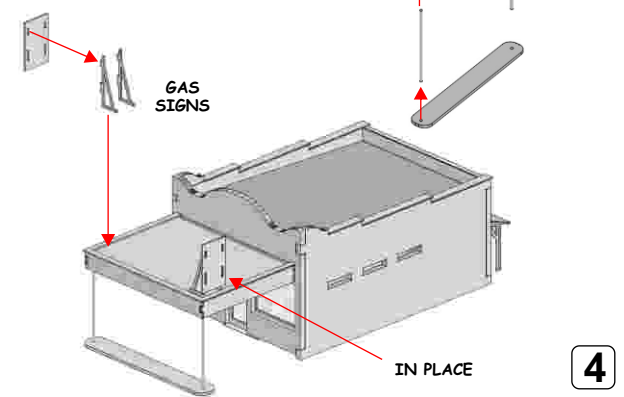
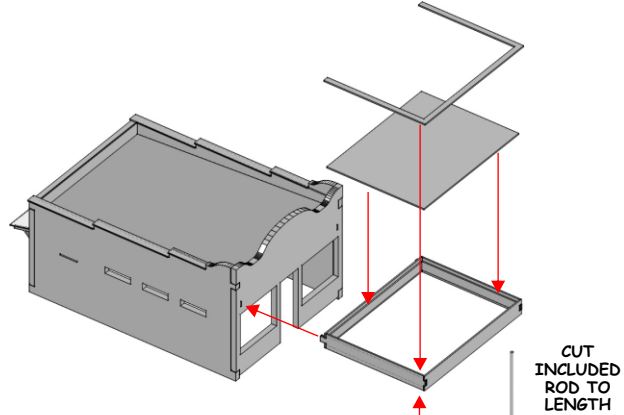
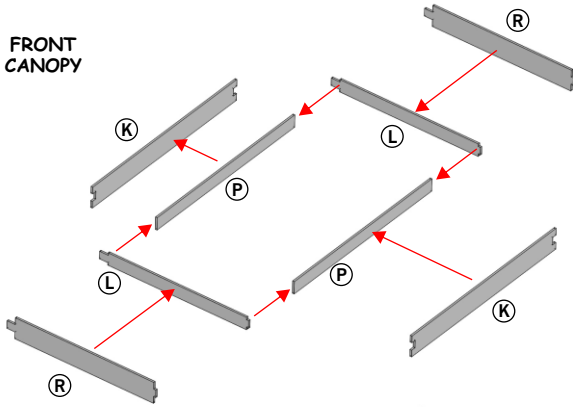


1

2

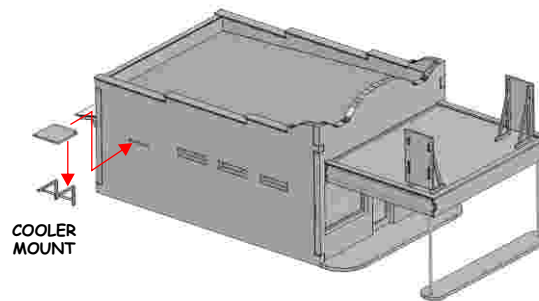
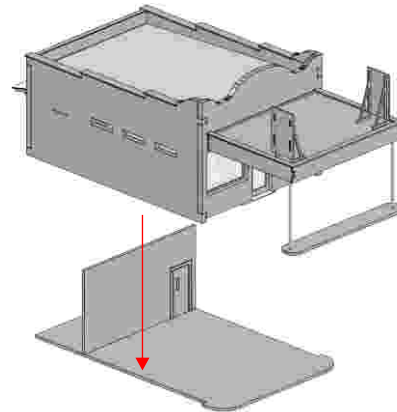
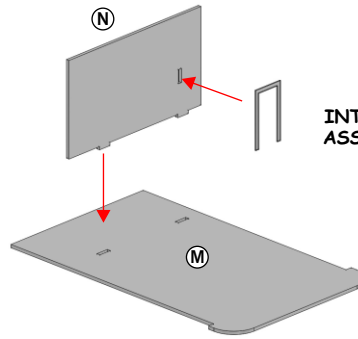
3

FRONT CANOPY



4

INTERIOR ASSEMBLY



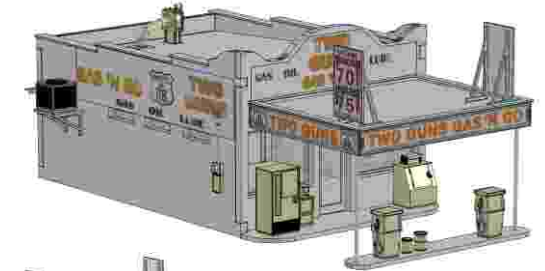
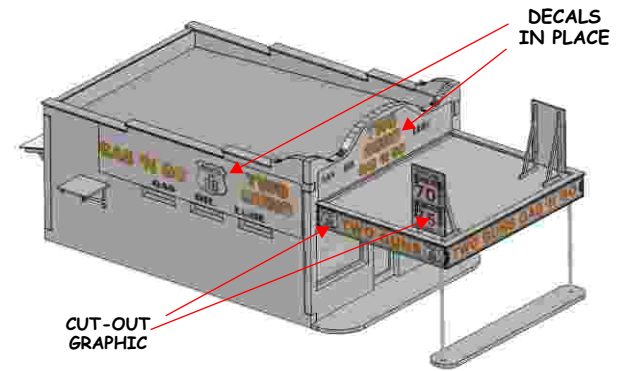
5

- PAINTING AND DECALS -

THE WALLS SHOULD BE WELL PRIMED AND PAINTED SO THE WATERSLIDE DECALS CAN BE APPLIED. EITHER ACRYLIC OR ENAMEL PAINTS CAN BE USED AND ADHERE WELL TO THE WALL BOARD

THE KIT CONTAINS WATERSLIDE GRAPHIC SIGNAGE THAT CAN EITHER BE CUT OUT AND GLUED IN PLACE USING CA TYPE SUPER GLUE OR USED AS WATERSLIDE DECALS.

FOR BEST RESULTS, CUT THE DECALS OUT CLOSE TO THE GRAPHIC AND ALLOW THEM TO FLOAT ON THE WATER FOR A MINUTE OR SO - NOT TOO LONG. IF POSSIBLE, DO NOT ALLOW THE DECAL TO BE SUBMERGED COMPLETELY.



6