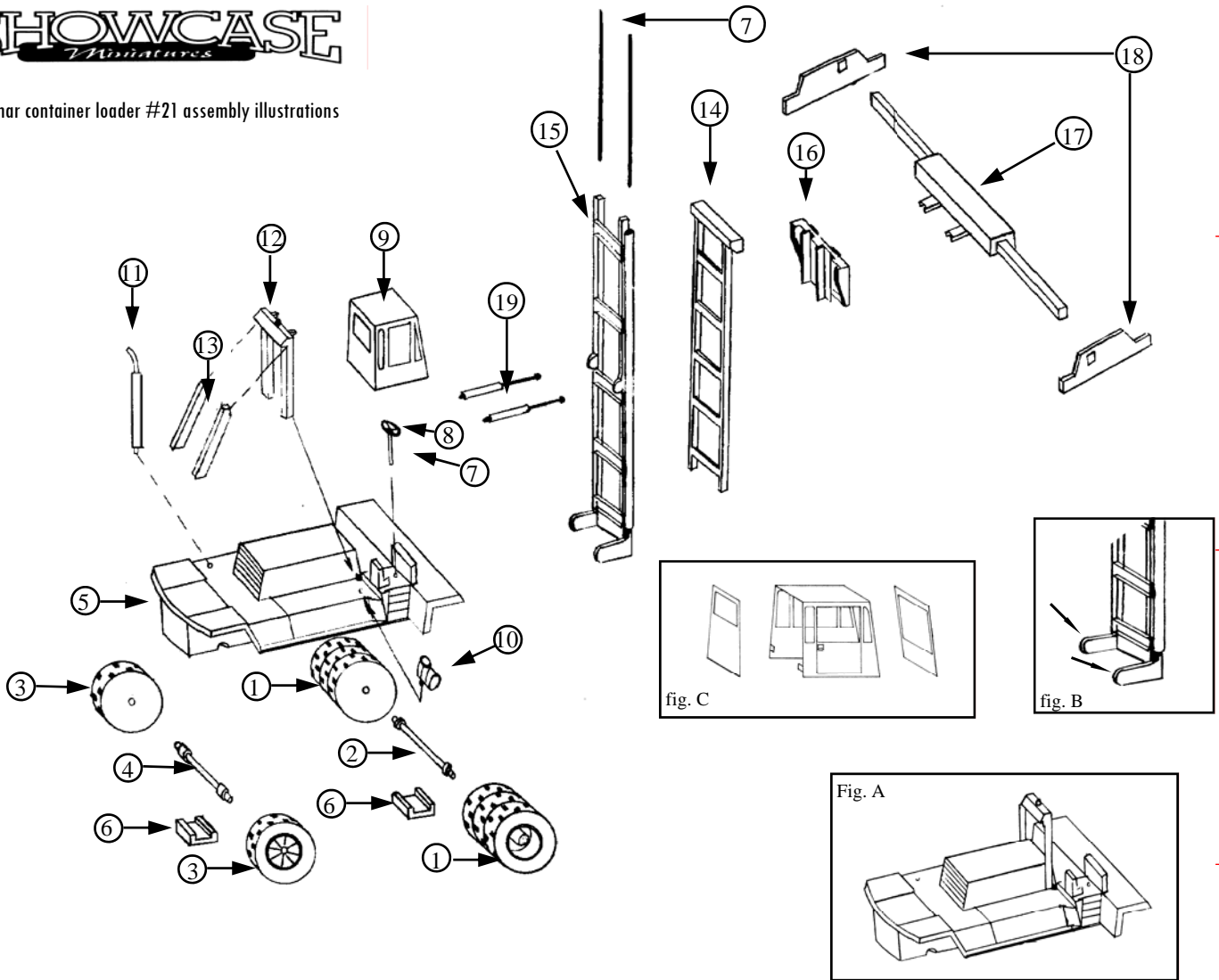


## Kalmar container loader #21 assembly illustrations



### PARTS LIST

- |   |   |
|---|---|
| (1) Triple wheel tire assembly. (2 pieces)                                      | (11) Exhaust stack                                    |
| (2) Narrow axle (1/2 inch) for triple tire.                                     | (12) Overhead brace hydraulic cylinder mount.         |
| (3) Single wheel and tire assembly. (2 pieces)                                  | (13) Triangular braces for overhead mount. (2 pieces) |
| (4) Wide axle (9/16 inch) for single wheel tire.                                | (14) Sliding lift (inner ladder).                     |
| (5) Kalmar body and engine hood.  | (15) Fixed lift frame (outer ladder).                 |
| (6) Axle retainers. (2 pieces)  | (16) Lift face.                                       |
| (7) Horizontal hydraulic rod, steering column (white plastic rod or brass rod). | (17) Container caliper (spreader arms).               |
| (8) Steering wheel.   | (18) End retainers. (2 pieces)                        |
| (9) Cab assembly.   | (19) Horizontal hydraulic cylinders. (2 pieces)       |
| (10) Air filter   |   |

### Tools and materials required for this project

- #11 Xacto knife or equivalent
- Drill bit and pin vise (drill bit #75 or .021 and a #67 or a .032)
- Tweezers
- Super Glue

[www.showcaseminatures.com](http://www.showcaseminatures.com)

