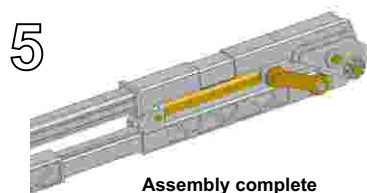
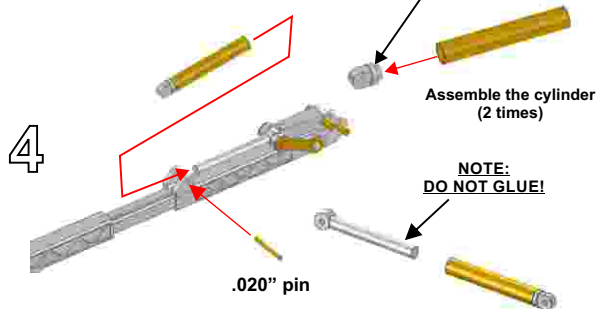
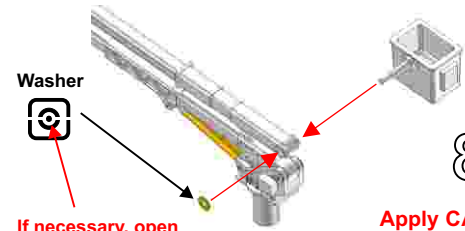
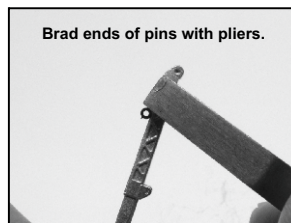
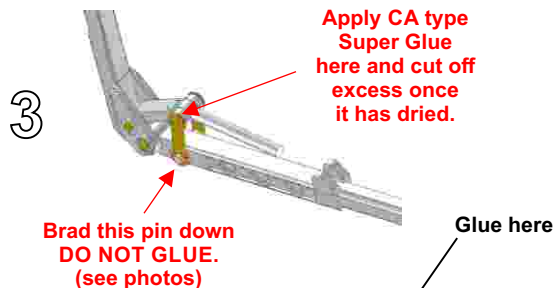
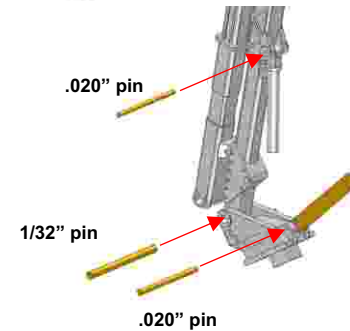
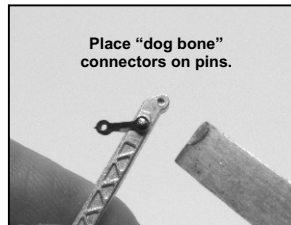
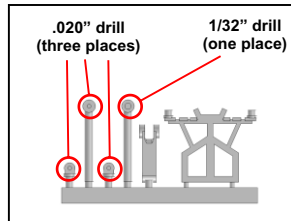
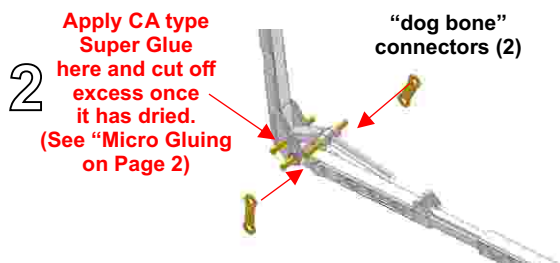
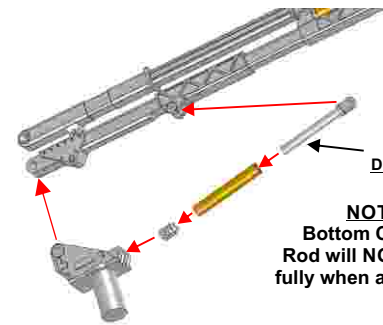
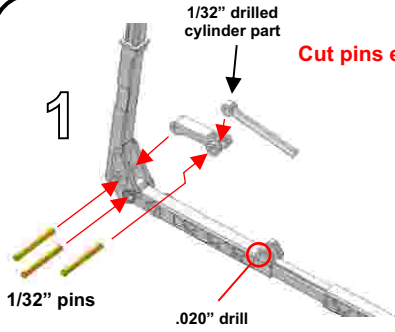


This FM-2 Class Utility Bucket truck from Showcase Miniatures is our latest addition to a growing line of MOW and Utility trucks. This kit includes new features for creating a model with prototypical action. Follow the steps below to assemble the moveable boom structure.

1. Clean the parts and remove any flash with a hobby knife. Surface smoothing can be accomplished with extra fine sand paper.
2. Pre-drill the individual parts that will be pinned using new and sharp drills. Both 1/32" and .020" brass rod are supplied. Take note of hole sizes in the diagram. Pre-drill the cylinder parts while they are still attached to their sprue.
3. Test fit all parts before final assembly. The pewter castings can be spread open if necessary.
4. We recommend Duro brand CA adhesive (super glue) for assembly. See notes on "Micro Glueing" on page 2.
5. We recommend a laquer based metal primer for painting. A white primer can also serve as the final paint finish since most of these utility trucks are painted white.

Assemble the Boom

NOTE:
Cut pins extra long to make it easier to insert them.

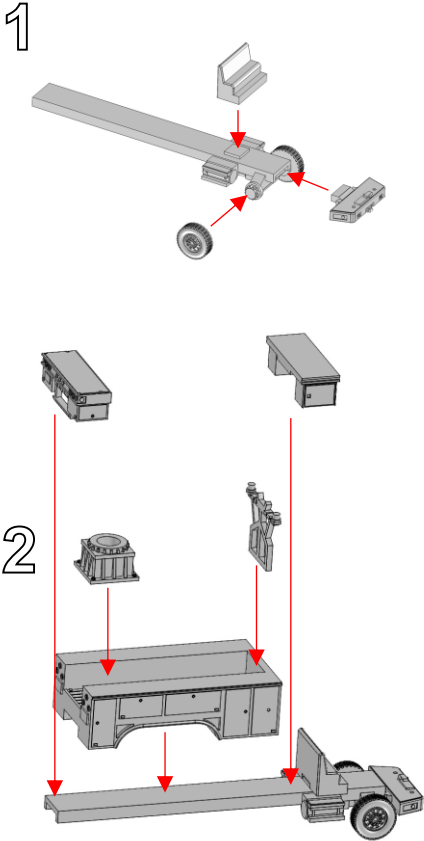


If your kit contains stainless steel etched parts be careful not to bend too much. The stainless parts, while much stronger, can come apart.

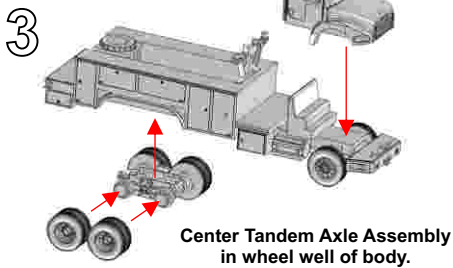


Assemble the Truck

NOTE:
Clean and Pre-Fit all parts before assembly.
Some parts can be painted prior to assembly.

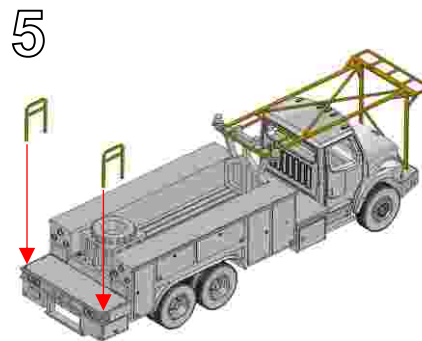
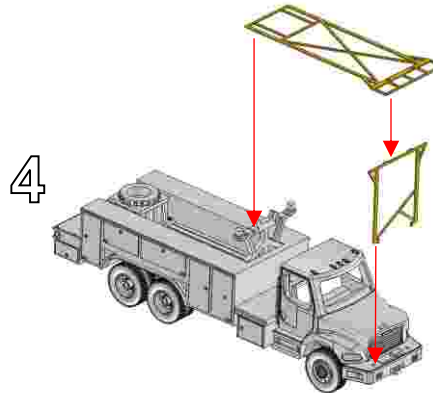


Cut out and attach windshield last - after all painting is complete.

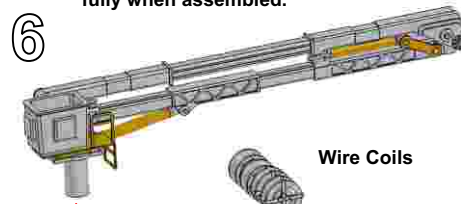


Center Tandem Axle Assembly in wheel well of body.

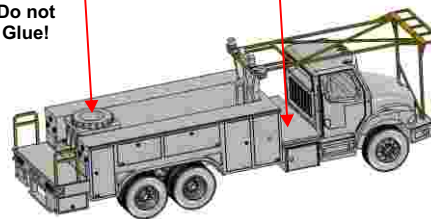
Final Assembly



NOTE:
Bottom Cylinder Rod will NOT extend fully when assembled.

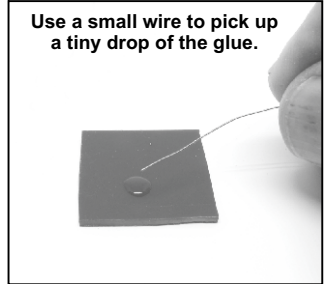
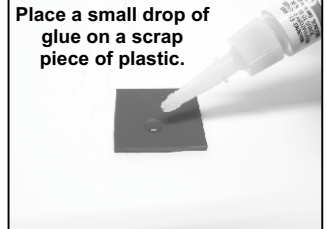


Do not Glue!

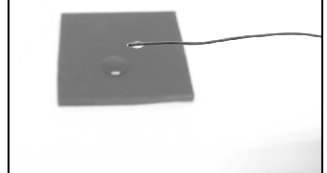


Micro-Glueing

This glueing technique will work with most types of glue. We use it extensively for building our model kits.



This is the amount to apply.



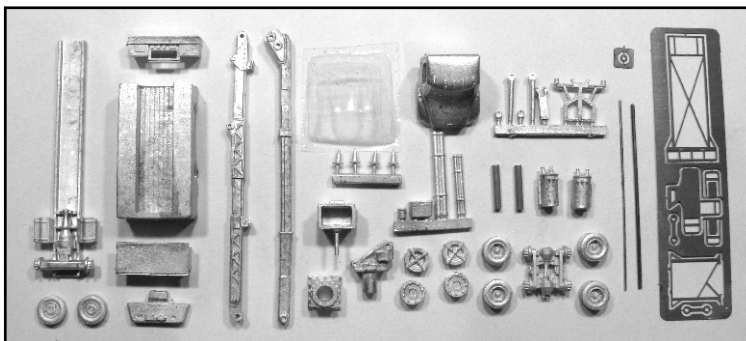
Place the tiny drop where the two parts meet. Capillary action will pull the glue drop into the joint.



Once the glue has dried, cut off excess with flush cutting snips.



Parts Included:



Tools Required:

- CA type glue (Super Glue) for assembly.
- 1/32" and .020" Drills - Should be new and sharp.
- Tweezers
- Xacto Knife with #11 Blade.
- Flat Nose Pliers.