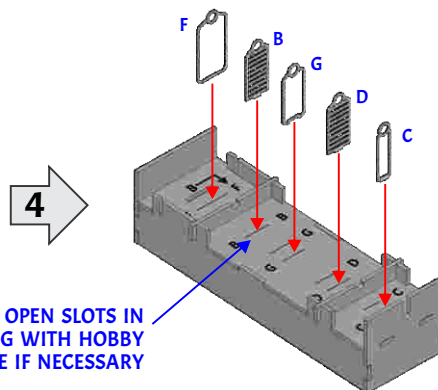
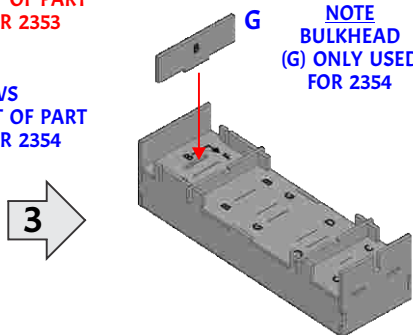


RED SHOWS
PLACEMENT OF PART
LETTERS FOR 2353
SIGNAL

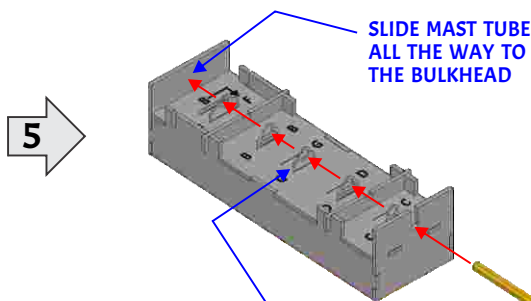
BLUE SHOWS
PLACEMENT OF PART
LETTERS FOR 2354
SIGNALS

NOTE
BULKHEAD
(G) ONLY USED
FOR 2354

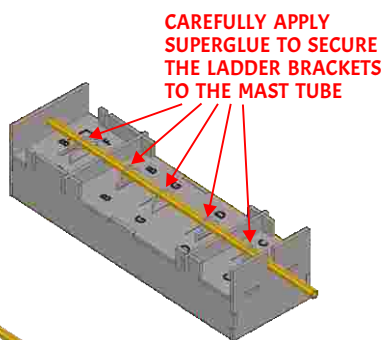


SLIDE LADDER
BRACKET
PARTS
INTO THEIR
CORRESPONDING
SLOTS

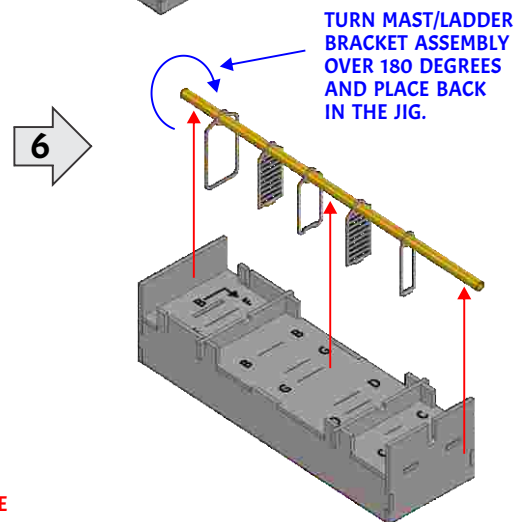
OPEN SLOTS IN
JIG WITH HOBBY
KNIFE IF NECESSARY



SLIDE MAST TUBE
ALL THE WAY TO
THE BULKHEAD

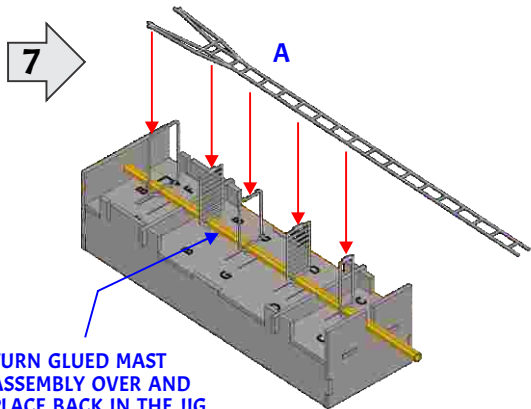


CAREFULLY APPLY
SUPERGLUE TO SECURE
THE LADDER BRACKETS
TO THE MAST TUBE

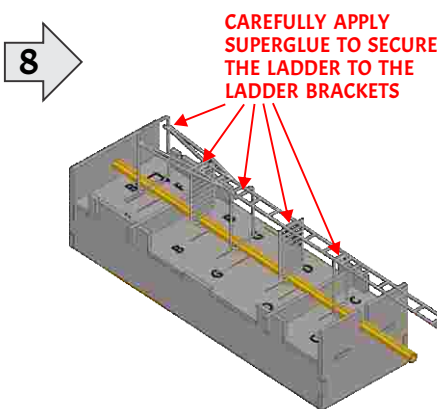


TURN MAST/LADDER
BRACKET ASSEMBLY
OVER 180 DEGREES
AND PLACE BACK
IN THE JIG.

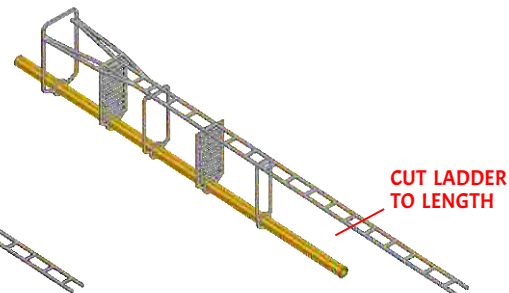
HOLD LADDER BRACKETS
IN PLACE WHILE YOU
SLIDE THE MAST TUBE
INTO THE JIG.



TURN GLUED MAST
ASSEMBLY OVER AND
PLACE BACK IN THE JIG.



CAREFULLY APPLY
SUPERGLUE TO SECURE
THE LADDER TO THE
LADDER BRACKETS



CUT LADDER
TO LENGTH