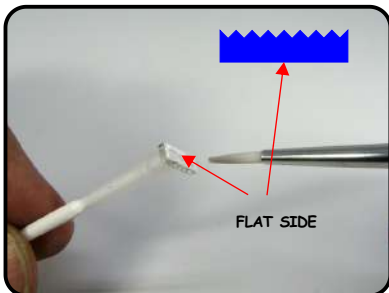


INSTALL THE ACRYLIC DIFFUSER IN THE OPENING - PAINTED SIDE FACING THE PLACARD AND THE SAWTOOTH SIDE FACING INWARD.



DRILL OUT THE DESTINATION PLACARD OPENING WITH A 1/32" DRILL. CLEAN UP OPENING WITH XACTO BLADE



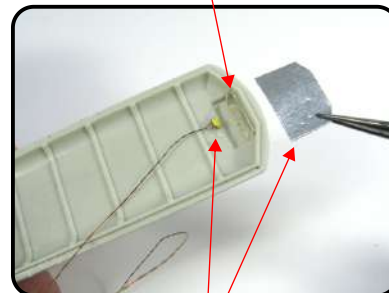
PAINT THE FLAT SIDE OF THE ACRYLIC DIFFUSER WITH FLAT WHITE PAINT.



APPLY PSA CANOPY GLUE TO THE INTERIOR OF THE DESTINATION PLACARD CAVITY. ALSO APPLY PSA GLUE IN THE INDICATED AREA FOR PLACEMENT OF THE LED.



INSTALL THE DESTINATION PLACARD



POSITION THE LED ON THE PSA GLUE PAD AND COVER WITH A PEICE OF METAL TAPE. THIS TAPE COULD BE OMITTED TO ALLOW THE LED TO ILLUMINATE THE INTERIOR.



DRILL OUT THE HEADLIGHT OPENING USING A 1/32" DRILL BIT.



USING A SOLDERING IRON, CAREFULLY FLARE THE END OF THE INCLUDED FIBER OPTIC STRAND.



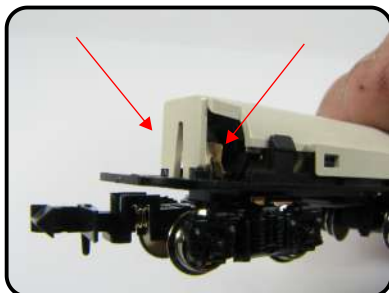
CUT THE FIBER OPTIC STRAND TO 1/16" TO 1/8" BEHIND THE LENS FLARE.



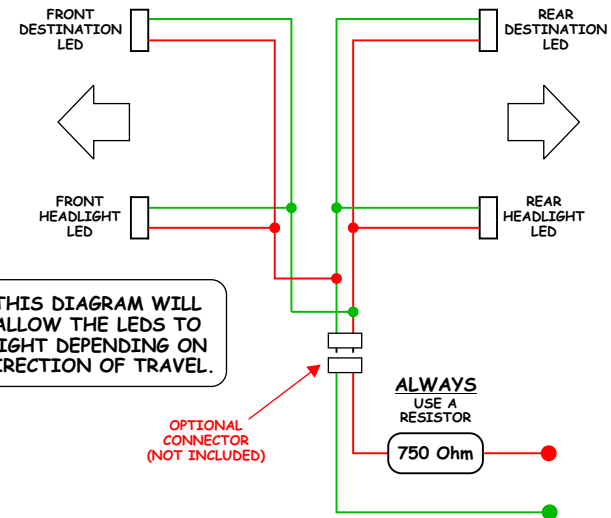
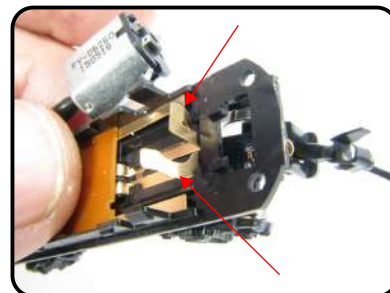
INSTALL THE FIBER OPTIC LENS INTO THE HEADLIGHT OPENING AND SECURE WITH PSA CANOPY GLUE.



PLACE THE LED IN THE SLOT BEHIND THE HEADLIGHT OPENING AND APPLY THE METAL TAPE TO HOLD IT IN PALCE



THE MOTOR TERMINALS ARE ACCESSIBLE ON THE KATO POWER UNIT TO SOLDER WIRE LEADS. IF NECESSARY, THE COVER CAN BE REMOVED TO FACILITATE WIRE LEAD ATTACHMENT.



**PARTS INCLUDED:**

- (4) PRE-WIRED LEDS
- (1) 750 OHM RESISTOR
- (1) ACRYLIC LIGHT DIFFUSER
- (1) METAL TAPE STRIP
- (1) FIBER OPTIC CABLE