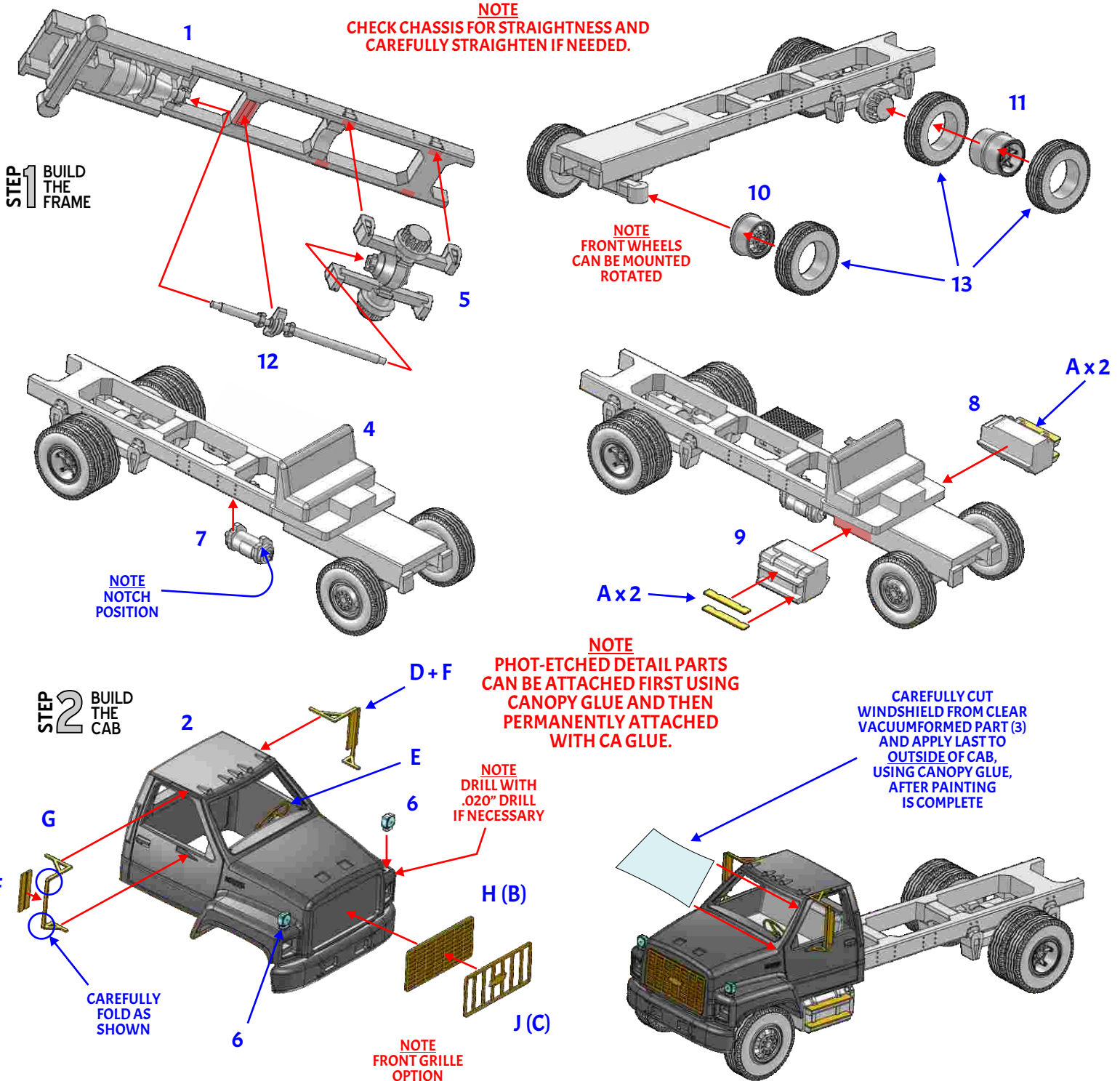
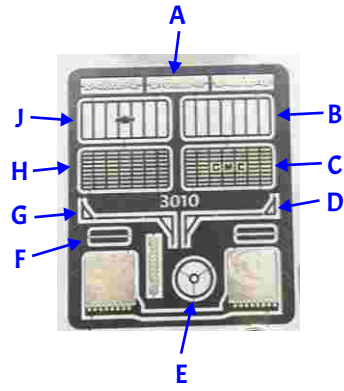


**PLEASE !! READ THROUGH ALL OF THE INSTRUCTION STEPS BEFORE STARTING AND TEST-FIT ASSEMBLIES BEFORE APPLYING GLUE. THIS KIT CAN BE BUILT IN DIFFERENT STEPS SO THESE INSTRUCTIONS ARE GUIDELINES TO SHOW YOU WHERE THE PARTS ARE PLACED.**

ALL PARTS MAY BE PAINTED INDIVIDUALLY BEFORE ASSEMBLY OR, CAN BE BUILT INTO SUB-ASSEMBLIES AND THEN PAINTED. WE RECOMMEND THAT YOU WASH ALL METAL PARTS IN EITHER WARM, SOAPY WATER OR ALCOHOL (OUR PREFERENCE). RESIN PARTS SHOULD BE WASHED IN WARM, SOAPY WATER. ALLOW ALL PARTS TO DRY COMPLETELY BEFORE PAINTING OR ASSEMBLING. WE RECOMMEND A GOOD LAQUER BASED PRIMER FOR METAL AND RESIN PARTS. OUR RECOMMENDED PRIMER IS TAMIYA BRAND SURFACE PRIMER. EITHER ACRYLIC OR ENAMEL PAINTS CAN BE USED ONCE THE ASSEMBLIES ARE PRIMED. WE RECOMMEND VALLEJO BRAND ACRYLIC PAINTS FOR THIS KIT.



# PARTS



NOTE:  
PART LABEL (I)  
OMITTED  
INTENTIONALLY

