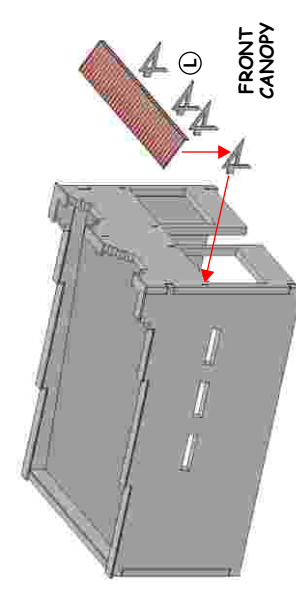
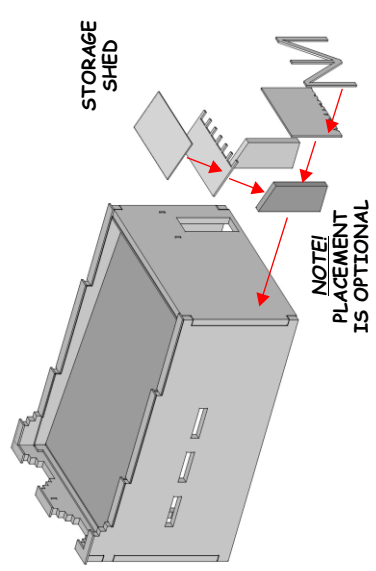
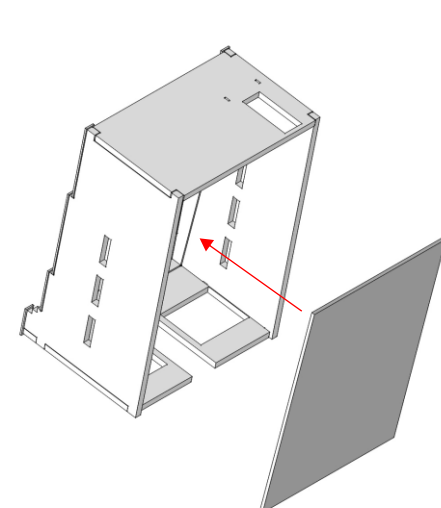
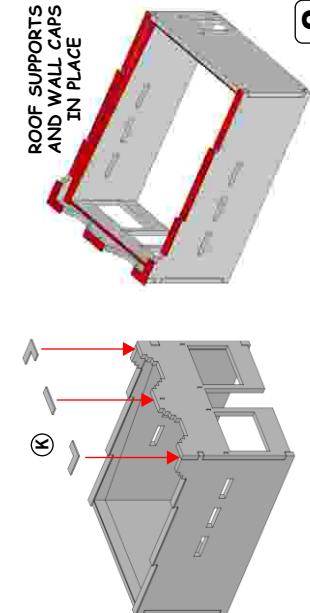
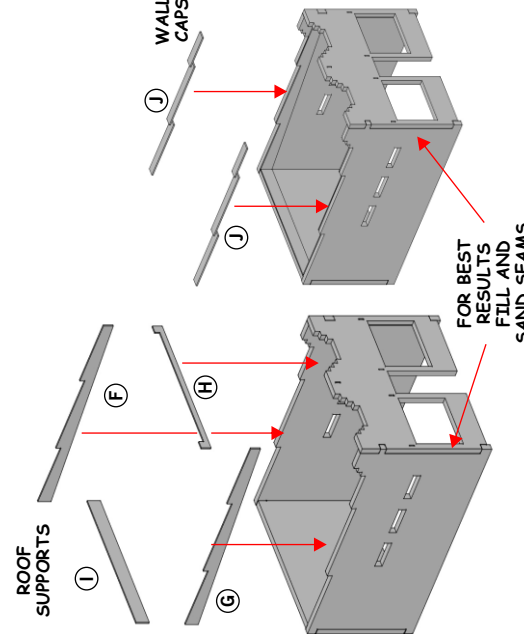
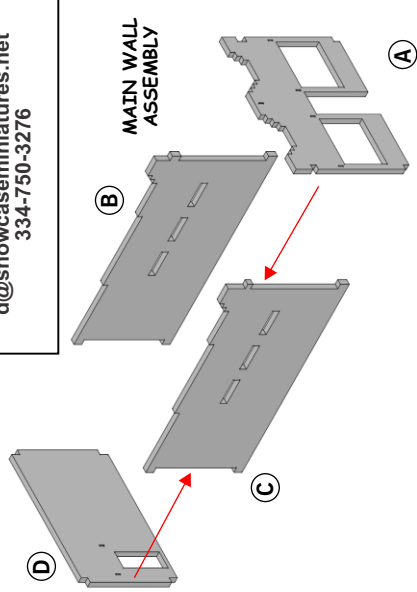


KIT NUMBER
127

SHOWCASE MINIATURES
www.showcaseminatures.net
d@showcaseminatures.net
334-750-3276

SHOWCASE MINIATURES
INDIAN TRADING POST ASSEMBLY INSTRUCTIONS
-PARTS LIST-

FRONT DOOR
FRONT WINDOWS
REAR DOOR
ACRYLIC PARTS
DOWNSPOUTS
ROOF
TRANSPARENCY
METAL DETAILS
PRINTED GRAPHICS
WATERSLIDE GRAPHICS



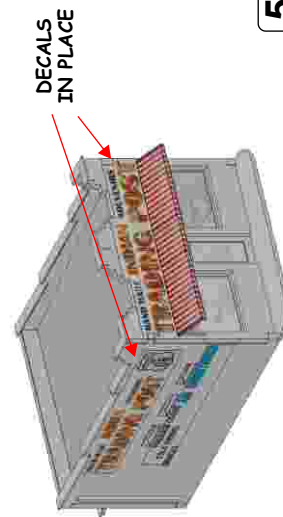
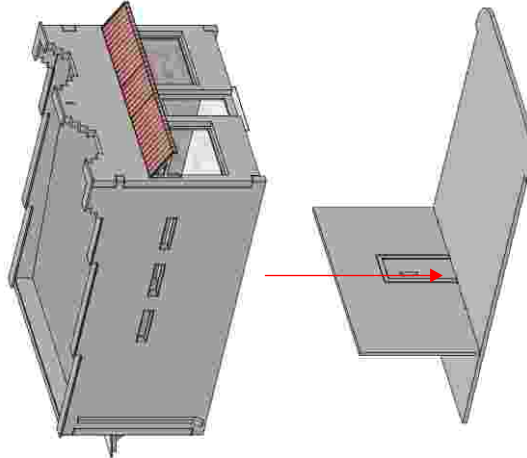
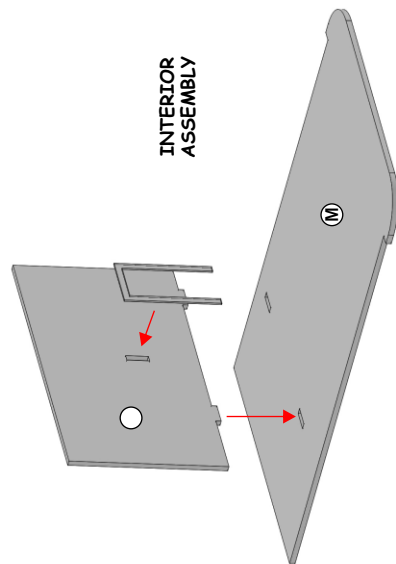
- PAINTING AND DECALS -

THE WALLS SHOULD BE WELL PRIMED AND PAINTED SO THE WATERSLIDE DECALS CAN BE APPLIED. EITHER ACRYLIC OR ENAMEL PAINTS CAN BE USED AND ADHERE WELL TO THE WALL BOARD.

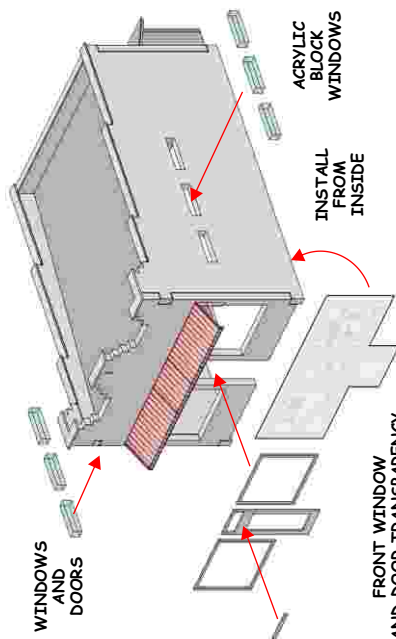
THE KIT CONTAINS WATERSLIDE GRAPHIC SIGNAGE THAT CAN EITHER BE CUT OUT AND GLUED IN PLACE USING CA TYPE SUPER GLUE OR USED AS WATERSLIDE DECALS. FOR BEST RESULTS, CUT THE DECALS OUT CLOSE TO THE GRAPHIC AND ALLOW THEM TO FLOAT ON THE WATER FOR A MINUTE OR SO - NOT TOO LONG. IF POSSIBLE, DO NOT ALLOW THE DECAL TO BE SUBMERGED COMPLETELY.

CLEAN PARTS IN WARM SOAPY WATER AND THOROUGHLY DRY BEFORE PAINTING.

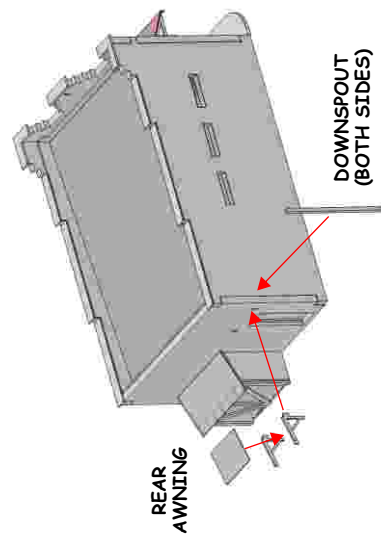
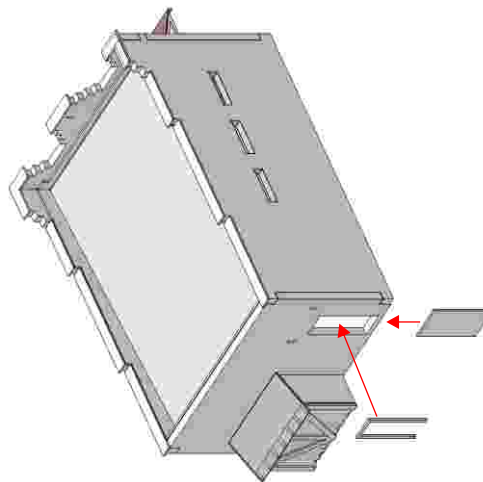
SODA MACHINES AND/OR ICE BIN MUST BE PAINTED WHITE (AT LEAST THE SIDE WHERE DECAL WILL BE PLACED). WATERSLIDE DECALS ARE NOT PRE-CUT AND MUST BE CUT AS CLOSE TO THE EDGE OF THE GRAPHIC AS POSSIBLE. SOAK EACH CUT DECAL FOR 30-45 SECONDS. FACE UP, FLOATING ON SURFACE OF ROOM TEMP. WATER.



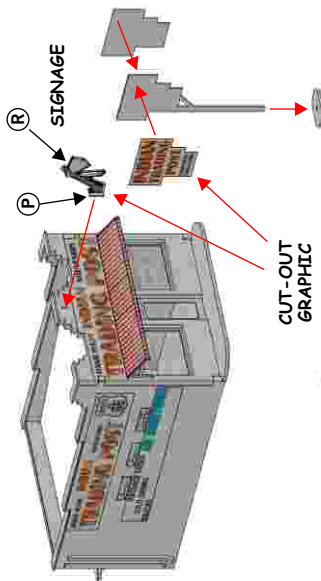
5



FRONT WINDOW AND DOOR TRANSPARENCY IS INCLUDED. ALSO A GRAPHIC OF CURTAINED WINDOWS IS INCLUDED (OPTIONAL)



4



CUT-OUT GRAPHIC

PLACEMENT OF METAL DETAILS IS OPTIONAL

6