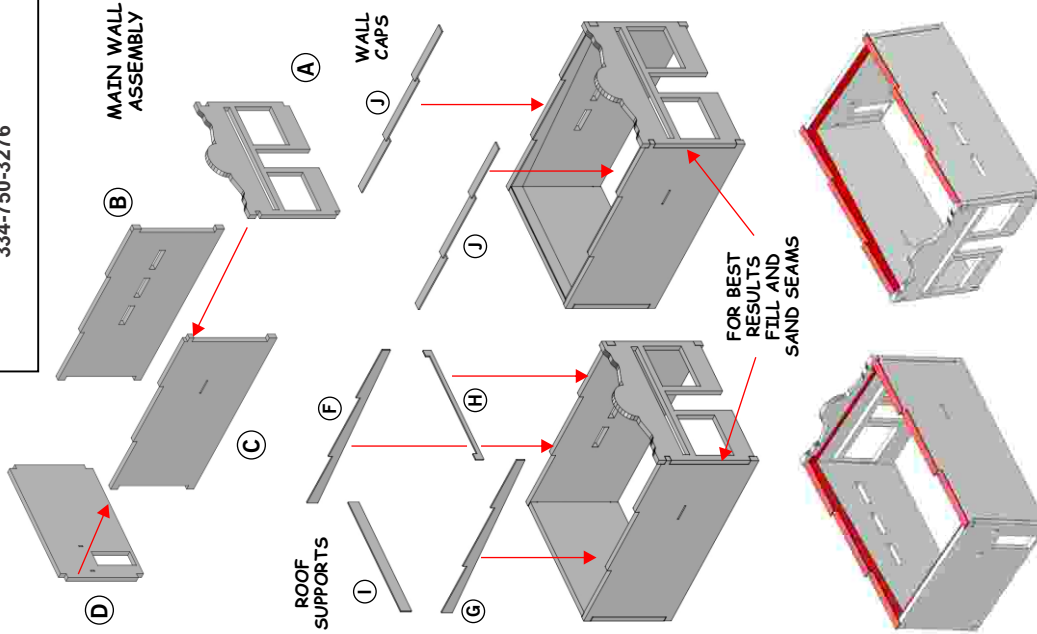
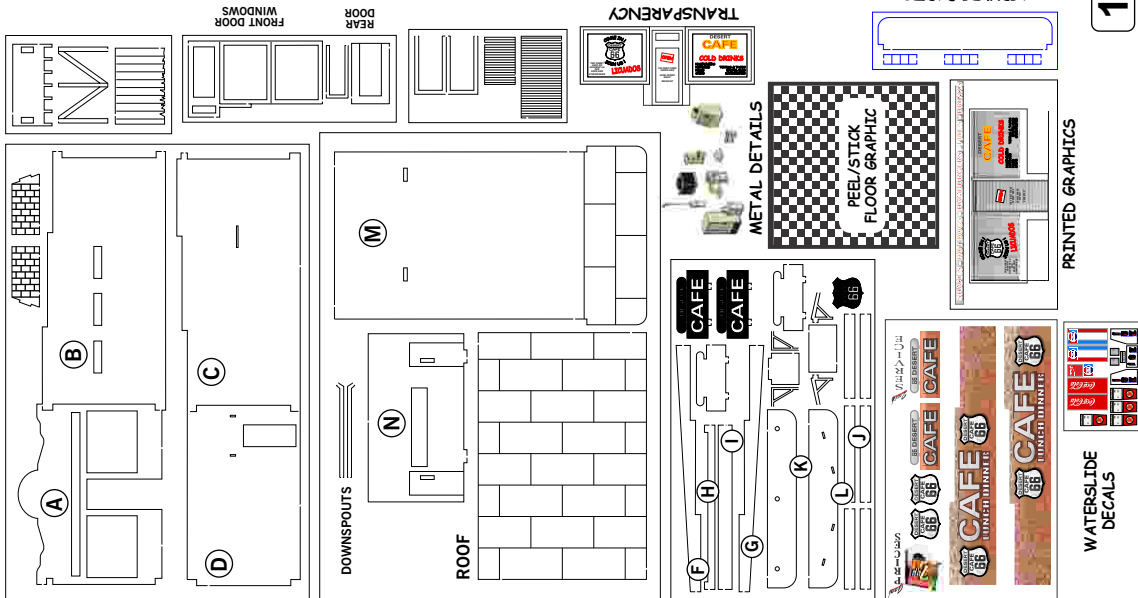


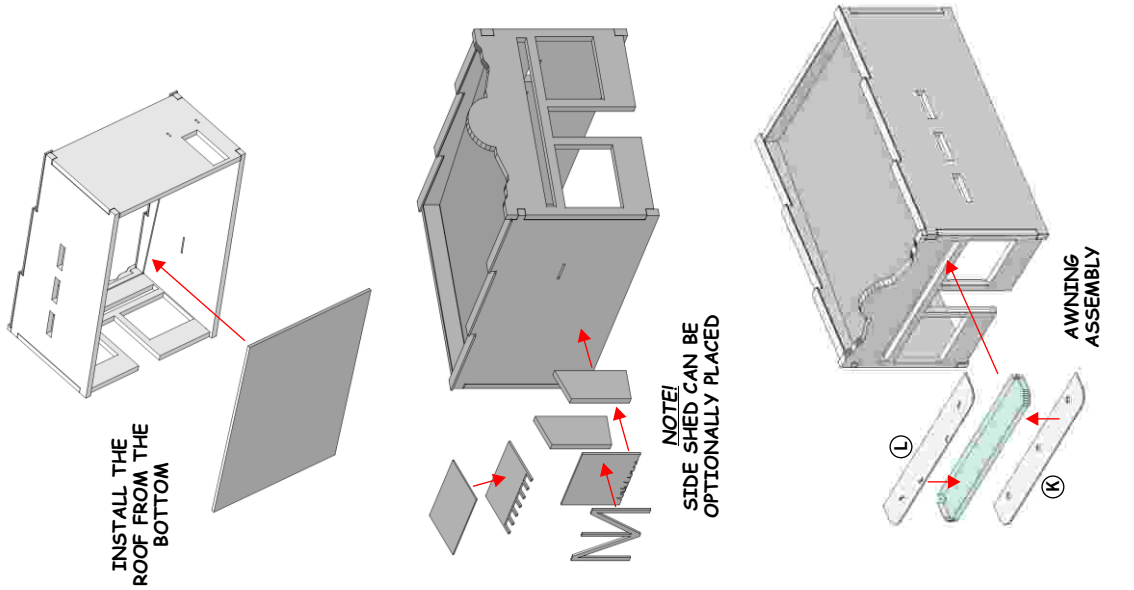
SHOWCASE MINIATURES  
DESERT CAFE ASSEMBLY INSTRUCTIONS  
-PARTS LIST-

KIT NUMBER  
**126**

SHOWCASE MINIATURES  
www.showcaseminatures.net  
d@showcaseminatures.net  
334-750-3276



**1**



**2**

**3**

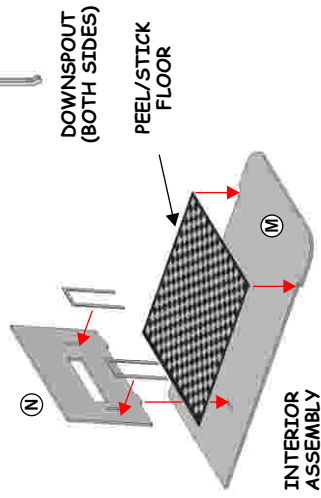
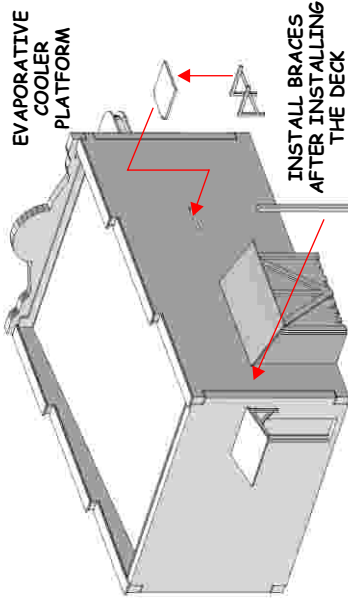
**- PAINTING AND DECALS -**

THE WALLS SHOULD BE WELL PRIMED AND PAINTED SO THE WATERSLIDE DECALS CAN BE APPLIED. EITHER ACRYLIC OR ENAMEL PAINTS CAN BE USED AND ADHERE WELL TO THE WALL BOARD

THE KIT CONTAINS WATERSLIDE GRAPHIC SIGNAGE THAT CAN EITHER BE CUT OUT AND GLUED ON THE SIGN PLACARDS USING CA TYPE SUPER GLUE OR USED AS WATERSLIDE DECALS.

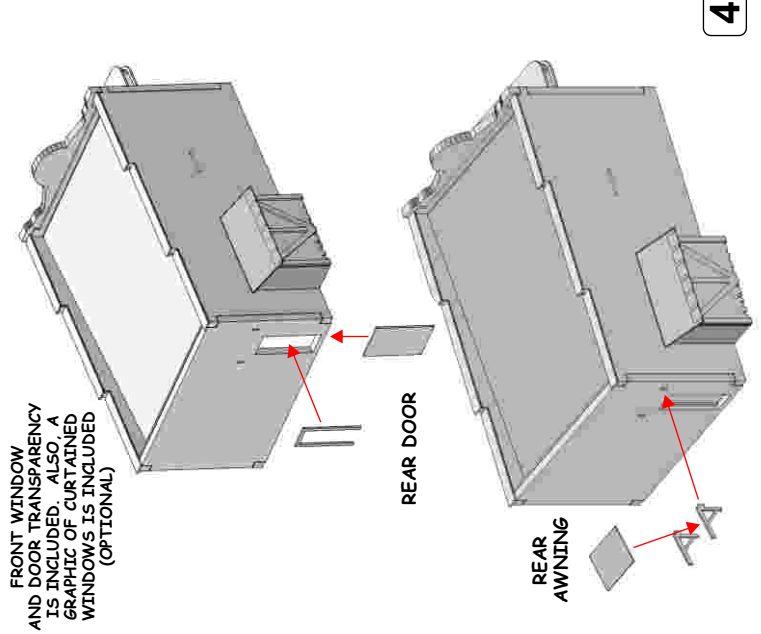
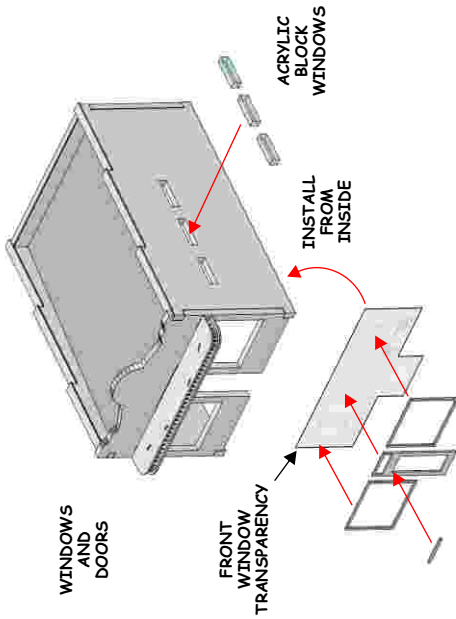
FOR BEST RESULTS, CUT THE DECALS OUT CLOSE TO THE GRAPHIC AND ALLOW THEM TO FLOAT ON THE WATER FOR A MINUTE OR SO - NOT TOO LONG. IF POSSIBLE, DO NOT ALLOW THE DECAL TO BE SUBMERGED COMPLETELY.

ALSO INCLUDED ARE LASER ENGRAVED SIGNS FOR PAINTING.

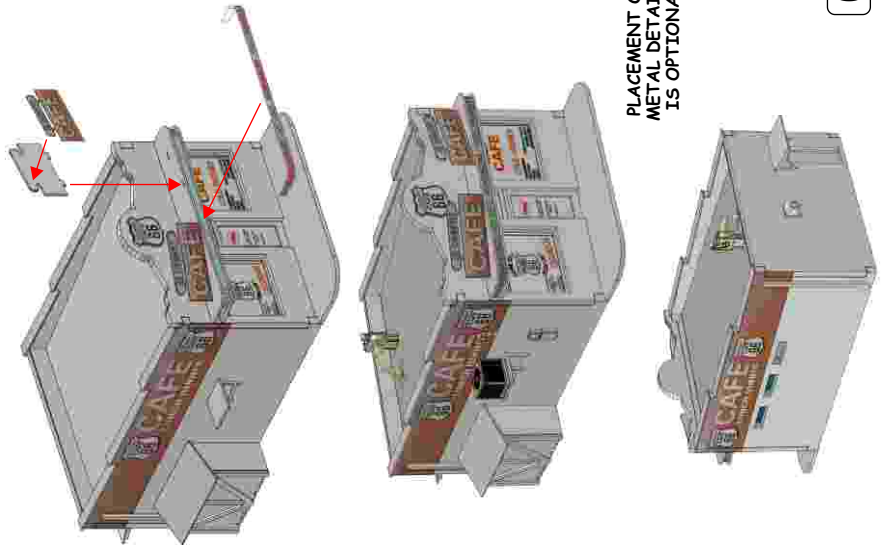


THE ACRYLIC CANOPY PART IS DESIGNED TO PICK UP LIGHTING FROM AN LED (NOT INCLUDED) PLACED INSIDE THE STRUCTURE.

**5**



**4**



**6**