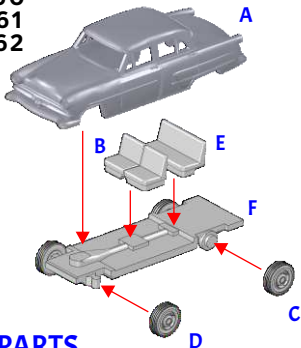


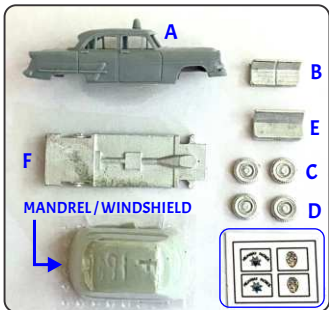
N Scale  
1:160

'53 Fordor Sedan

160  
161  
162



## PARTS



DECAL 160 ONLY

**Visit our painting and finishing tips on our website**

## **WATERSLIDE DECALS:**

**WATERSLIDE DECALS ARE NOT PRE-CUT AND MUST BE CUT AS CLOSE TO THE EDGE OF THE GRAPHIC AS POSSIBLE. SOAK 30-45 SECONDS, FACE UP, FLOATING ON SURFACE OF ROOM TEMP. WATER.**

**SLIDE THE DECAL OFF THE BACKING PAPER ONTO THE SURFACE OF THE PART**

## **WINDSHIELD:**

**A VACUUM FORMED PART IS INCLUDED TO CREATE A WINDSHIELD FOR THE TRUCK CAB. USING A SHARP HOBBY KNIFE, CUT AROUND THE EDGES OF THE WINDSHIELD. USE A CANOPY GLUE TO ATTACH TO THE OUTSIDE OF THE CAB LAST AFTER ASSEMBLY AND PAINTING IS COMPLETE.**