

PLEASE!! READ THROUGH ALL OF THE INSTRUCTION STEPS BEFORE STARTING. THE PARTS ARE DESIGNED TO BE PRECISE FITTING AND SOME ASSEMBLIES BUILD ON PREVIOUS STEPS.

SOME MODELERS PREFER TO BUILD THE STRUCTURE COMPLETELY BEFORE PAINTING. ALL PARTS MAY BE PAINTED BEFORE ASSEMBLY WHILE THEY ARE STILL ON THEIR SPRUES. ONCE THE WALL PARTS HAVE BEEN PAINTED, THEY CAN BE CUT FROM THE SPRUE. INSTALLING THE WINDOWS AND DOORS AND SOME OF THE TRIM MAY BE ADVANTAGEOUS AT THIS POINT. COMPLETED WALL SECTIONS CAN THEN BE ASSEMBLED PER THE INSTRUCTIONS.

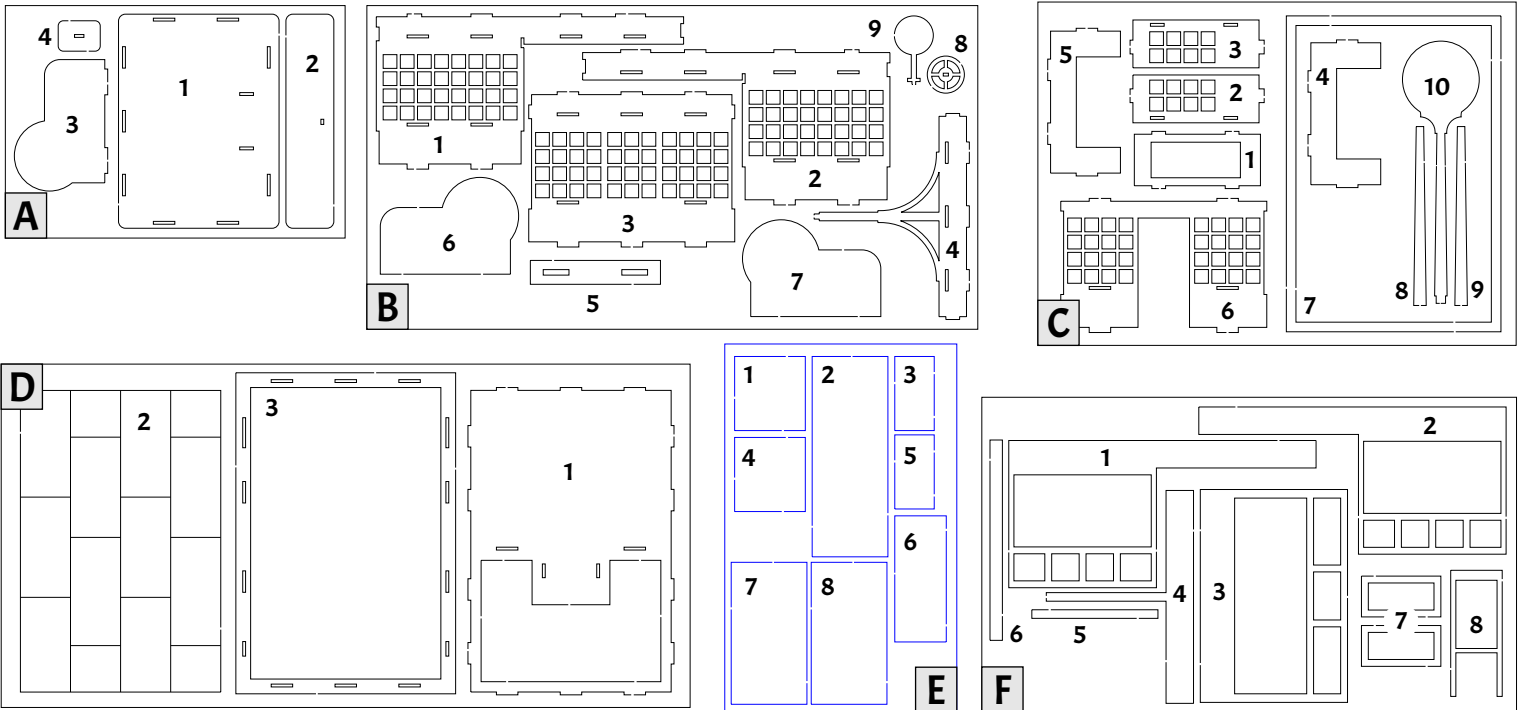
1. THE FIBER TASK BOARD (SHEET 'A') SHOULD BE PRIMED WITH AN ENAMEL (OIL) BASED PRIMER BEFORE APPLYING ACRYLIC PAINT. IF THE ACRYLIC PAINT HAS TOO MUCH WATER SOLVENT IN IT, THE BOARD MAY SWELL. IF IT DOES - **ALLOW IT TO DRY THOROUGHLY BEFORE PROCEEDING.**
2. BEFORE YOU BEGIN CONSTRUCTION, TAKE THE TIME TO BECOME FAMILIAR WITH THE PARTS AND INSTRUCTIONS. THE PARTS ARE NUMBERED TO MAKE IT EASIER TO FIND THEM ON THE SPRUES. IN GENERAL, MOST PARTS CAN BE ASSEMBLED AND WILL HOLD THEMSELVES IN PLACE ALLOWING YOU TO APPLY GLUE TO THE TAB AND SLOT AREAS.
3. THE WINDOWS AND DOORS HAVE A DOUBLE STICK ADHESIVE BACKING TO ALLOW THEM TO BE APPLIED TO THE GLAZING. WE RECOMMEND THAT YOU PAINT THE WINDOWS AND DOORS WHILE THEY ARE STILL ATTACHED TO THE SPRUE. SPRAY PAINT WORKS BEST FOR THIS.
4. WE RECOMMEND VALLEJO BRAND ACRYLIC PAINTS FOR THIS KIT.
5. **WATERSLIDE DECALS** ARE NOT PRE-CUT AND MUST BE CUT AS CLOSE TO THE EDGE OF THE GRAPHIC AS POSSIBLE. SOAK 30-45 SECONDS, FACE UP, FLOATING ON SURFACE OF ROOM TEMP. WATER. **SEE NOTE BELOW**

AS WITH ALL OF OUR KITS WE HOPE YOU ENJOY BUILDING AND FINISHING THIS MODEL. PLEASE LET US KNOW OF ANY SUGGESTIONS OR IDEAS YOU MIGHT HAVE TO IMPROVE OUR KITS.

PLEASE VISIT OUR WEBSITE AT WWW.SHOWCASEMINIATURES.NET TO ENSURE THAT YOU HAVE THE LATEST VERSION OF THE ASSEMBLY INSTRUCTIONS.

PARTS

LASER CUT SPRUES



WATERSLIDE DECAL/GRAPHIC

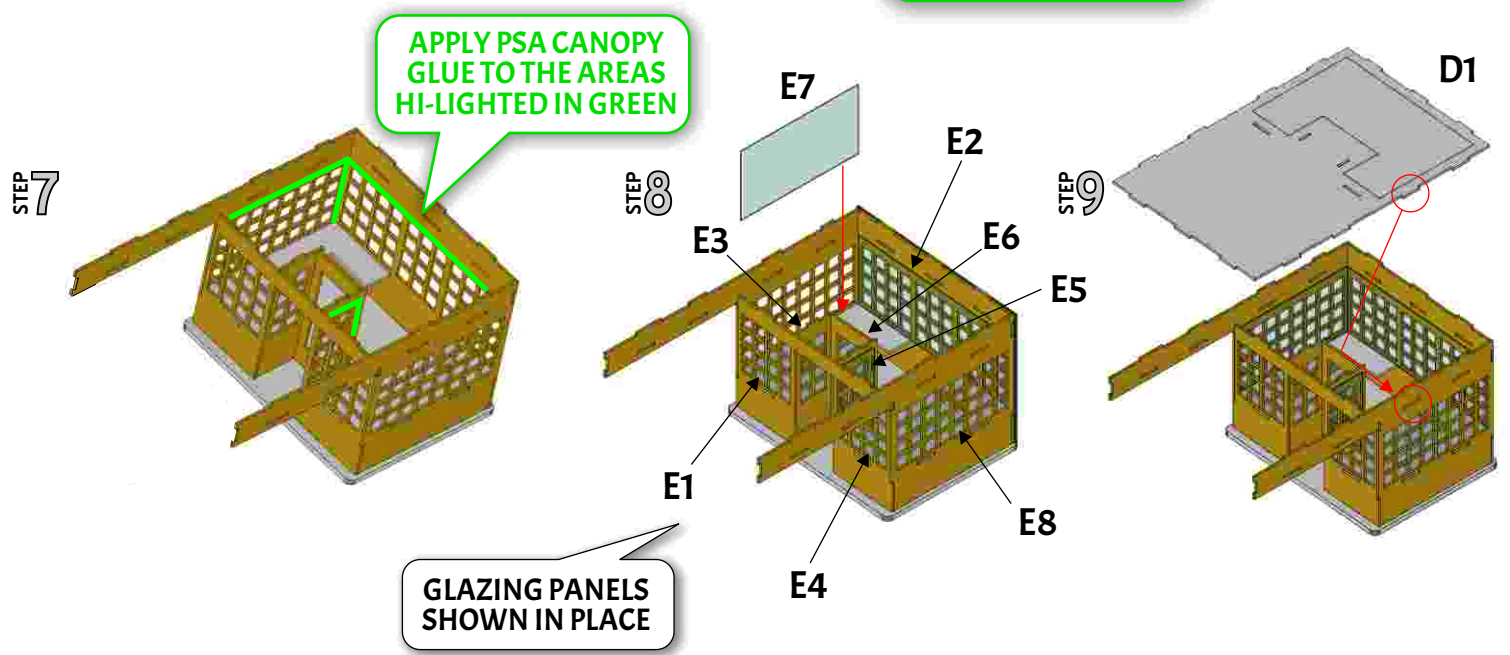
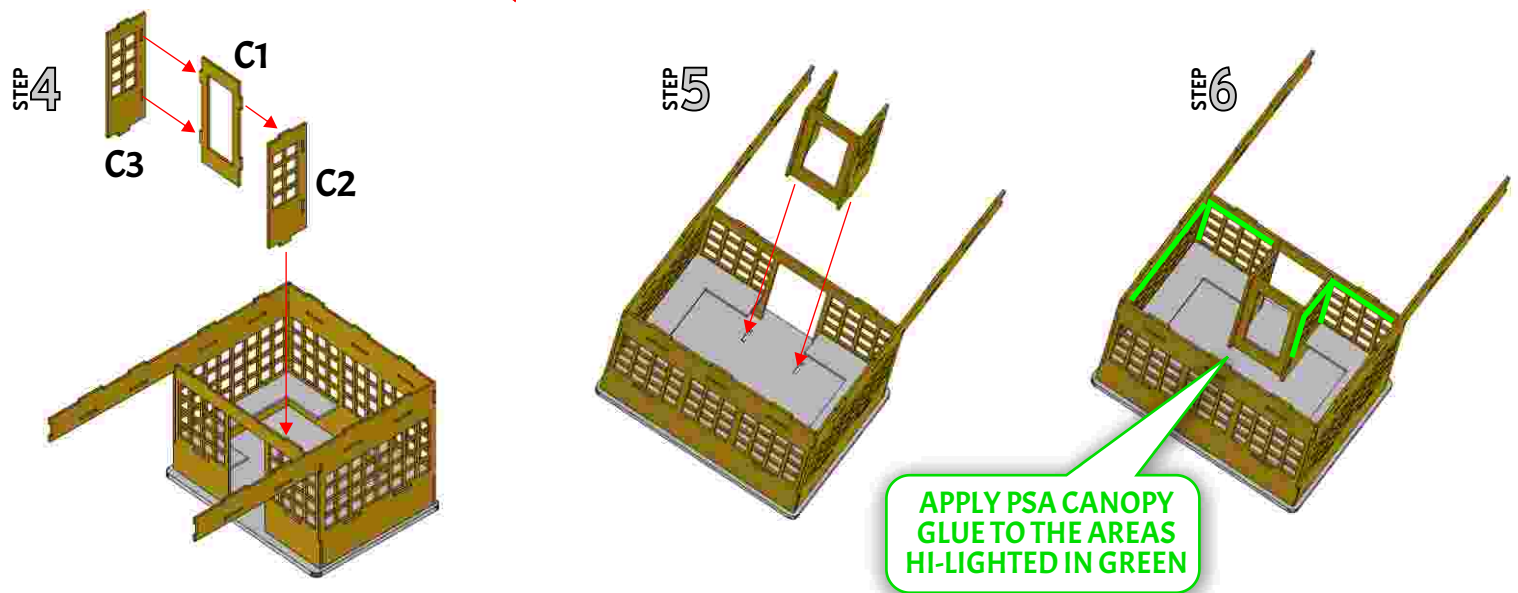
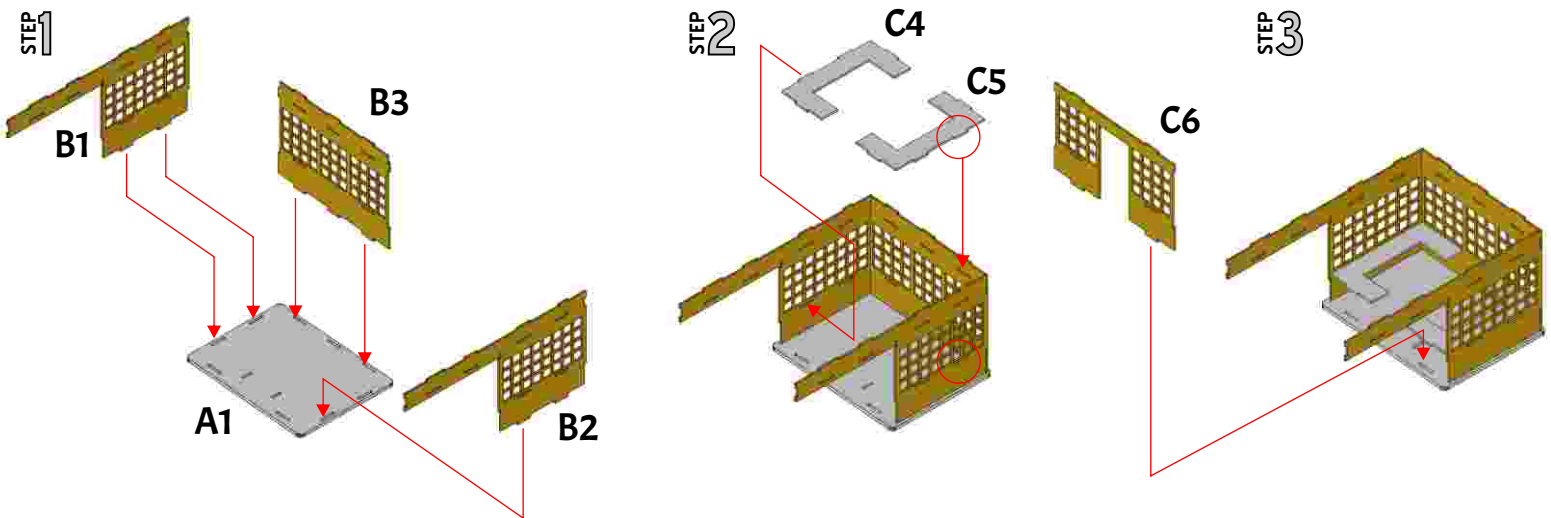
THESE GRAPHICS CAN BE APPLIED AS GLUE ON PANELS OR AS WATERSLIDE DECALS. IF USED AS A DECAL, THE SURFACE IT IS APPLIED TO SHOULD BE PAINTED WHITE.



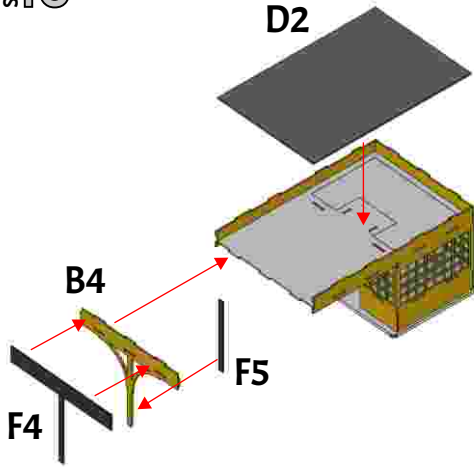
GLAZING



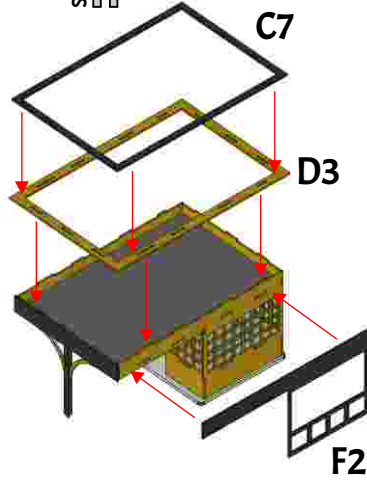
PEWTER PARTS



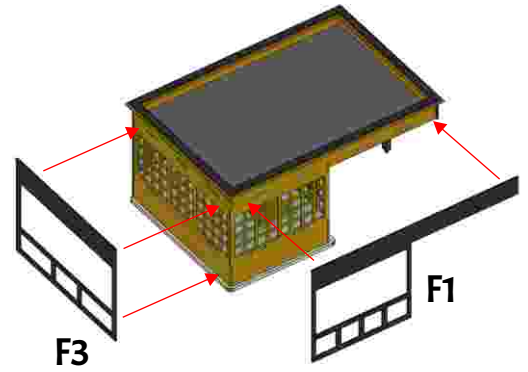
STEP 10



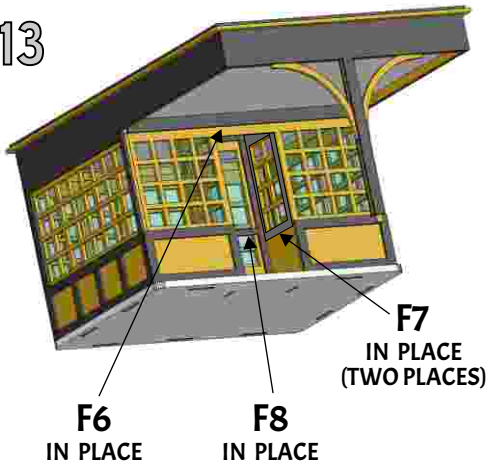
STEP 11



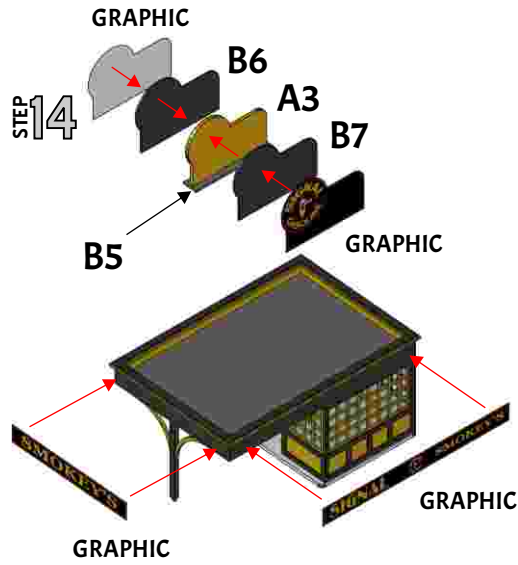
STEP 12



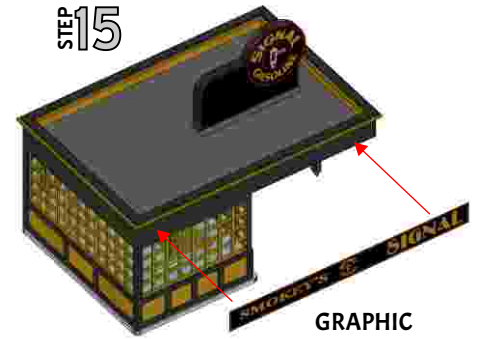
STEP 13



STEP 14



STEP 15



STEP 16

