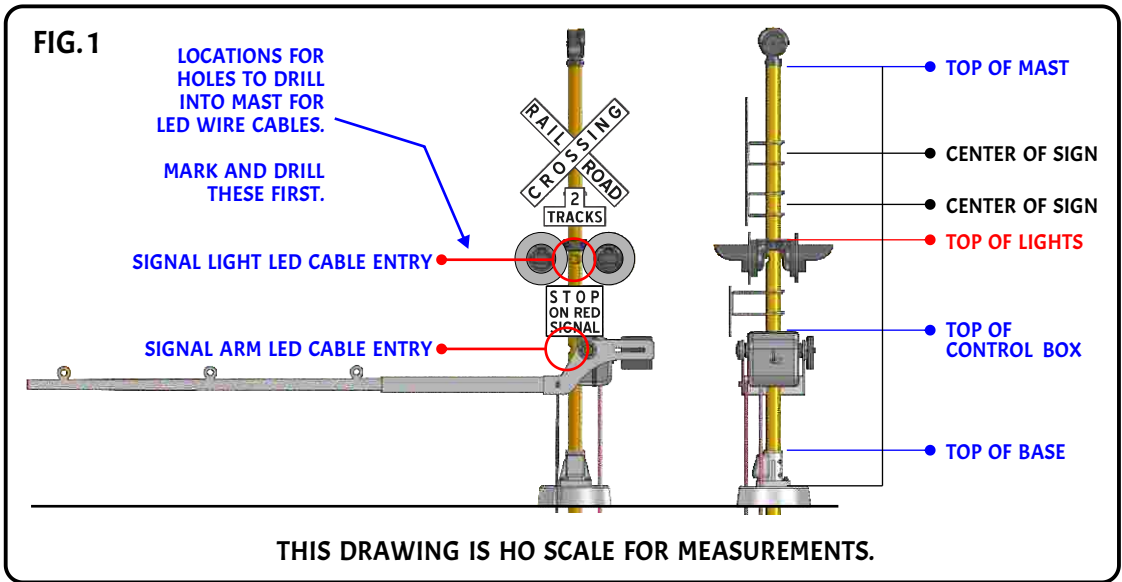


WE HIGHLY RECOMMEND THAT YOU READ THROUGH THE ASSEMBLY STEPS AND STUDY THE DIAGRAMS AND NOTES CLOSELY TO FAMILIARIZE YOURSELF WITH OUR SUGGESTED ASSEMBLY METHOD.

GETTING STARTED

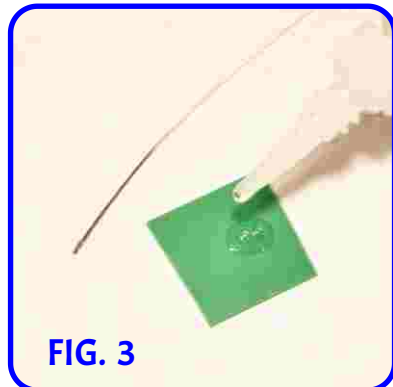
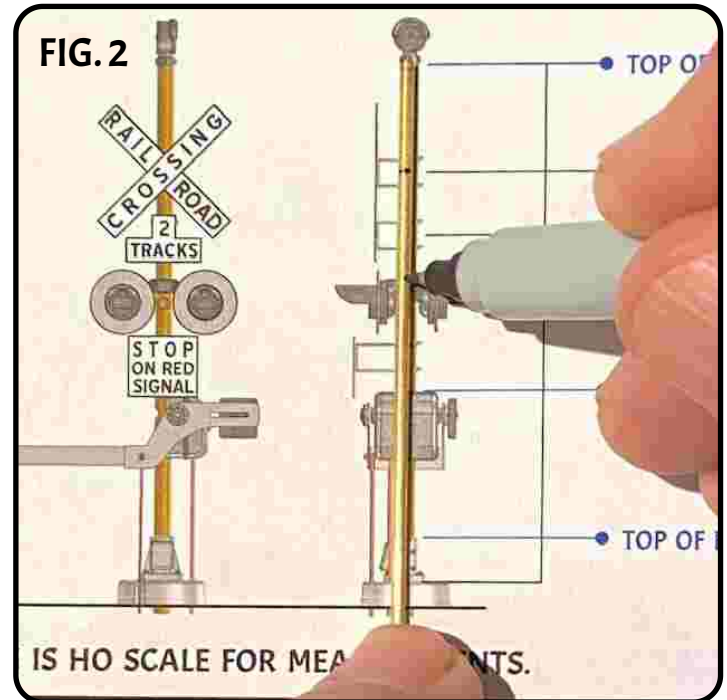
THIS GRADE CROSSING SIGNAL CAN BE BUILT WITH OR WITHOUT THE CROSSING ARM AND CAN BE LIGHTED USING 603 SIZE LEDs IN THE SIGNAL HEAD AND 402 LEDs IN THE CROSSING ARM (LEDs SOLD SEPARATELY).

THE CROSSING ARM CAN BE ANIMATED USING ONE OF TWO DIFFERENT METHODS. A SUPPLIED PUSH-ROD CAN BE USED AND CONTROLLED WITH AN APPROPRIATE ANIMATING CIRCUIT. ALTERNATELY, THE ANIMATION CAN BE ACHIEVED WITH AN INTERNAL CAM AND CLEVIS ASSEMBLY. THE ANIMATING CIRCUIT IS NOT INCLUDED.



LAY THE BRASS MAST TUBE DIRECTLY ON THE SUPPLIED SCALE DRAWING (FIG. 1) AND MARK THE LOCATIONS FOR THE TOP OF THE CONTROL BOX, LIGHTS, SIGN CENTERS AND BASE (FIG. 2)

PARTS AND ASSEMBLIES CAN BE ATTACHED TO THE MAST WITH TINY DROPS OF CANOPY GLUE AND THEN PERMANENTLY ATTACHED USING TINY DROPS OF CA GLUE TO HOLD THEM IN PLACE.



SEE "MICRO-GLUEING" BELOW

MICRO-GLUEING

APPLY SEVERAL DROPS OF SUPER GLUE TO A PLASTIC SURFACE FOR A RESERVOIR AND USE A SHORT LENGTH OF FINE WIRE TO DIP OUT A TINY DROP OF GLUE (FIG. 3).

STEP 1

INSERT 1/32" SHAFT
LEAVE EXCESS ON
BOTH SIDES

10



DRILL THROUGH
WITH 1/32" BIT
IF NECESSARY

NOTE:
SMOOTH BOTH
ENDS FOR FITTING
SHAFT FLANGE (3)

11



USE A 'V' SHAPED
NEEDLE FILE TO
CREATE A SMALL
GROOVE AT THE
LOCATION MARKED
FOR THE WIRE CABLE.

DRILL THROUGH WITH
A 1/32" BIT AND
SMOOTH THE EDGES
OF THE HOLE TO
PREVENT DAMAGE
TO THE LED WIRE
CABLE.

DO THIS IN TWO
LOCATIONS.

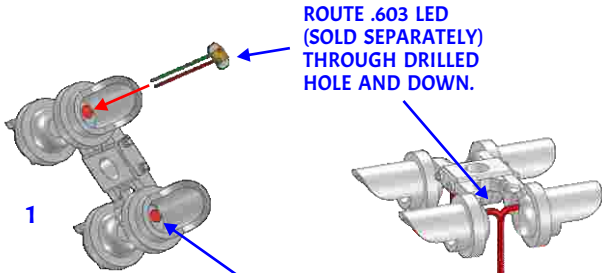
HOLE DRILLED IN
MAST FOR LED
WIRE CABLE

GLUE IN PLACE ON
MAST AT PREVIOUSLY
MARKED LOCATION
WITH SUPER GLUE

DRILL ONLY IF
USING SIGNAL
ARM LEDS

STEP 2

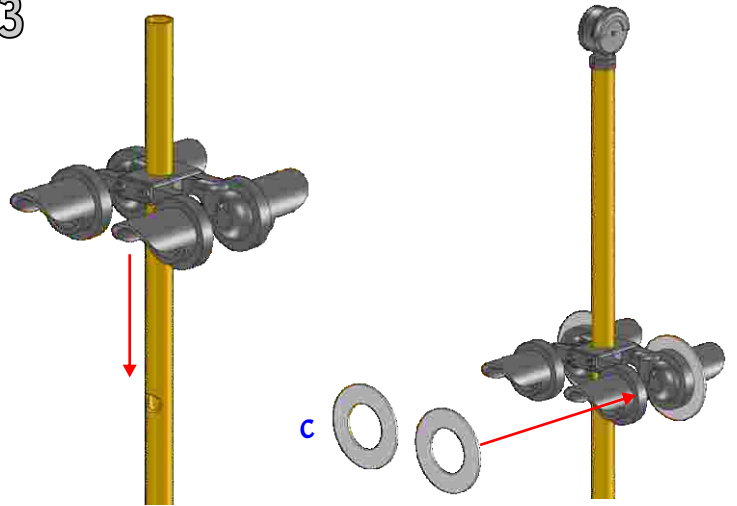
IF NECESSARY, CAREFULLY STRAIGHTEN AND ALIGN THE LIGHT FIXTURE (1) THEN DRILL THROUGH THE BACK WITH A .02" OR .025" DRILL TO ALLOW THE LED WIRES TO PASS THROUGH THE FIXTURE AS INDICATED. USE CANOPY GLUE TO HOLD THE LEDS IN THE FIXTURE HEAD,



ROUTE .603 LED
(SOLD SEPARATELY)
THROUGH DRILLED
HOLE AND DOWN.

DRILL THROUGH
WITH .025" DRILL
(4 PLACES)

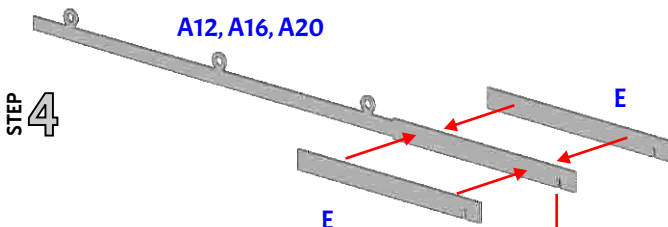
STEP 3



C

STEP 4

A12, A16, A20

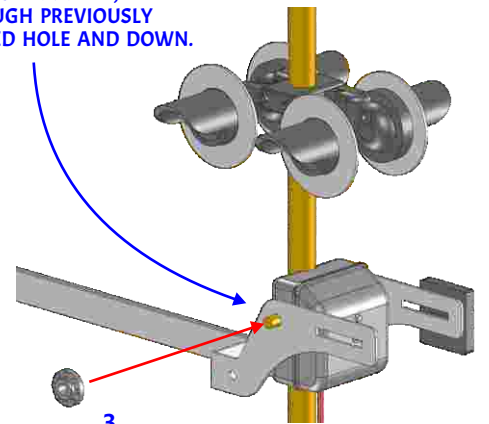


FOLD AS
SHOWN

GENTLY PULL ARMS
APART AND POSITION
OVER ARM SHAFT.

ROUTE CABLE ASSEMBLY
FOR .402 LEDS
(SOLD SEPARATELY)
THROUGH PREVIOUSLY
DRILLED HOLE AND DOWN.

6



3

SHAFT FLANGE (3) SHOULD
PUSH TO FIT - DRILL WITH
1/32" BIT (IF NECESSARY)
WHILE STILL ON THE SPRUE
DO NOT GLUE

STEP 5

OPTIONAL:
402 LEDs (NOT INCLUDED)
CAN BE ADDED TO THE
SIGNAL ARM AS SHOWN.

NOTE:
402 LEDs ADDED AS SHOWN
MAY AFFECT PLACEMENT
OF DECAL ON THIS
SIDE.

INSTALL THE 402 LEDs
WITH CANOPY GLUE

402 LEDs
(NOT INCLUDED)

STAINLESS ETCHED SIGNS
OR GRAPHICS

B,G

ONCE FOLDED, APPLY A
TINY DROP OF SUPER GLUE
TO FOLDED JOINT FOR
STRENGTH

STEP 6

5

DRILL .016"
(#78 DRILL)
IF NECESSARY
FOR PUSH ROD

GLUE BASE (7)
IN PLACE ON MAST
AT PREVIOUSLY
MARKED LOCATION
WITH SUPER GLUE

12

7

INSERT CLEVIS PIN INTO
HOLE OF SIGNAL ARM
AND BURNISH USING
PLIERS.

SEE THE BREAK-AWAY
BASE INSTRUCTIONS
NEXT PAGE

STEP 7

20' SIGNAL ARM (A20)
SHOWN

PAINTING AND FINISHING

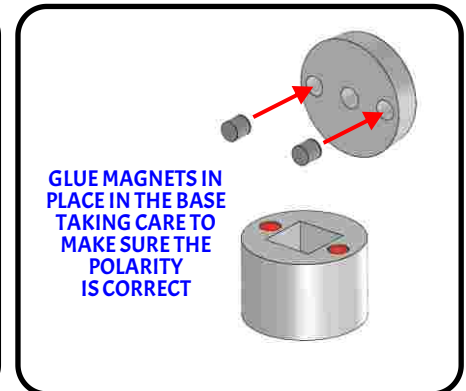
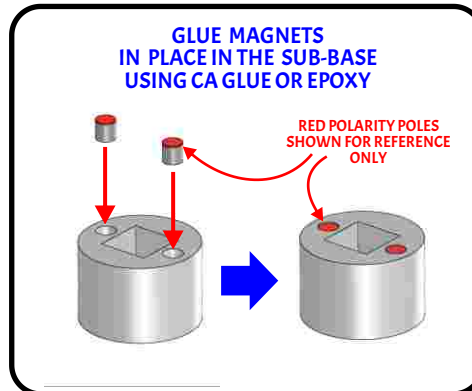
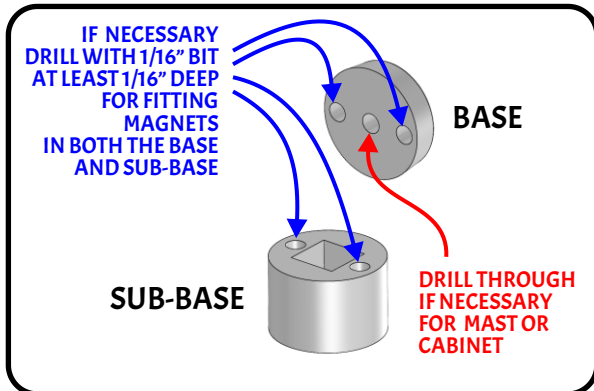
WE RECOMMEND PAINTING THE MODEL 10 CROSSING SIGNAL AFTER COMPLETION EXCEPT FOR THE CROSSING ARM ASSEMBLY. IT SHOULD BE PAINTED BEFORE ATTACHING TO THE MAST ASSEMBLY.

WE RECOMMEND AN ALUMINUM SILVER PAINT FOR THE OVERALL COLOR WITH FLAT BLACK HOODS AND HOOD SHIELDS. TO PREVENT PAINT COVERING THE ALREADY INSTALLED LED_s, COVER THE LED_s WITH A TINY BIT OF CLAY OR MASKING TAPE.

WE HAVE INCLUDED TWO DIFFERENT TYPES OF SIGNS FOR THE SIGNAL - ETCHED STAINLESS SIGNS OR PRINTED PAPER GRAPHICS. EITHER CAN BE USED. WHEN ATTACHING THE PAPER SIGNS TO THE SIGN BRACKETS, HOLD THEM IN PLACE WITH CANOPY GLUE AND, ONCE THEY ARE POSITIONED CORRECTLY, USE THICK SUPER GLUE ON THE BACK TO PERMANENTLY MOUNT THEM. **THIN SUPER GLUE MAY BLEED THROUGH THE PAPER SIGN.**

INSTRUCTIONS ARE SHOWN BELOW FOR USING OUR BREAK-AWAY SIGNAL BASE (SKU#2365) WITH THIS GRADE CROSSING SIGNAL IF YOU DECIDE TO USE THIS.

BREAK-AWAY BASE ASSEMBLY



CUT THE MAST/TUBE FLUSH WITH THE BOTTOM OF THE BASE TO ALLOW THE SIGNAL ASSEMBLY TO TIP OVER WITHOUT BEING DAMAGED.

THE SUB-BASE CAN BE MOUNTED AT OR JUST BELOW "GROUND" LEVEL WITH THE BASE SITTING AT "GROUND" LEVEL

WATERSLIDE DECALS:

Visit our [painting and finishing tips on our website](#)

WATERSLIDE DECALS ARE NOT PRE-CUT AND MUST BE CUT AS CLOSE TO THE EDGE OF THE GRAPHIC AS POSSIBLE. SOAK 30-45 SECONDS, FACE UP, FLOATING ON SURFACE OF ROOM TEMP. WATER.

SLIDE THE DECAL OFF THE BACKING PAPER ONTO THE SURFACE OF THE PART