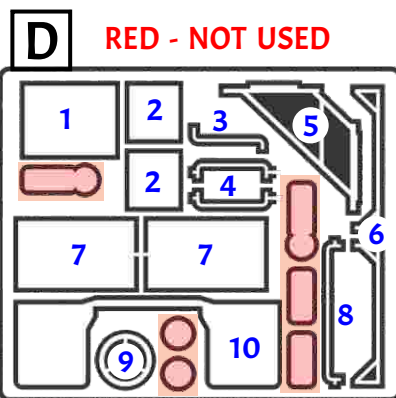
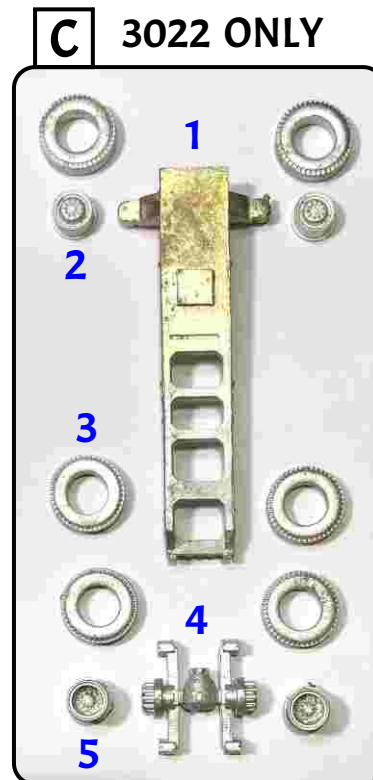
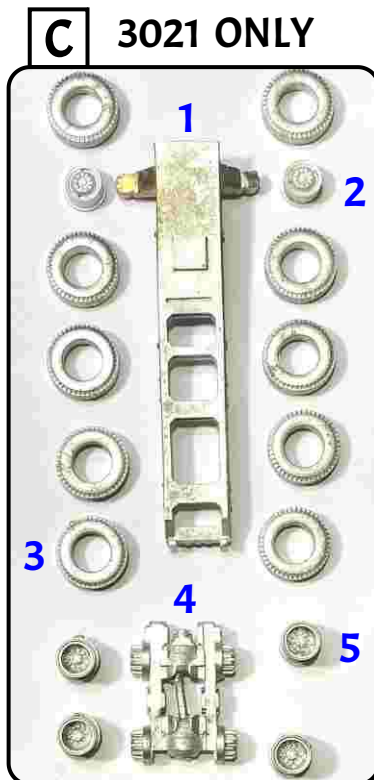
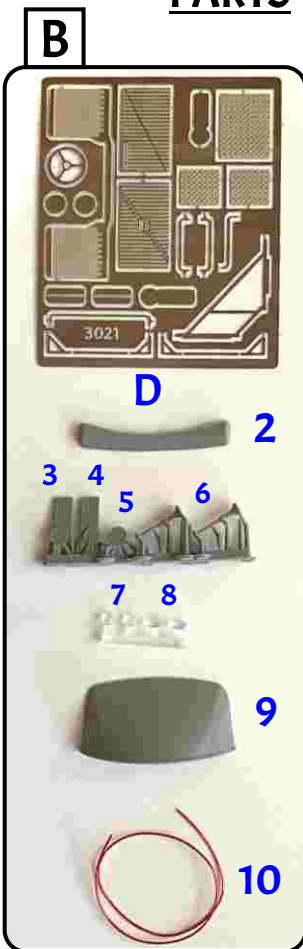
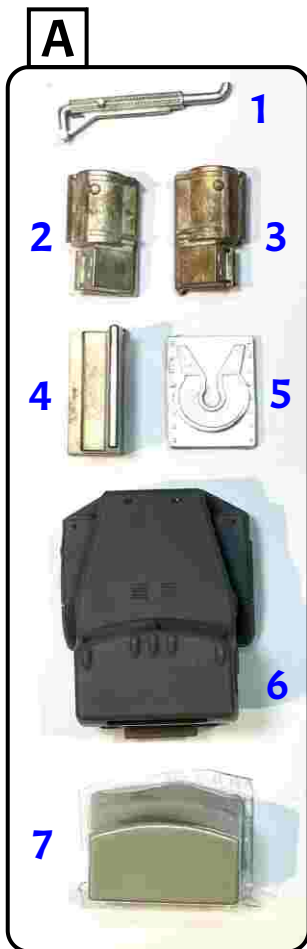


PLEASE !! READ THROUGH ALL OF THE INSTRUCTION STEPS BEFORE STARTING AND TEST-FIT ASSEMBLIES BEFORE APPLYING GLUE. THIS KIT CAN BE BUILT IN DIFFERENT STEPS SO THESE INSTRUCTIONS ARE GUIDELINES TO SHOW YOU WHERE THE PARTS ARE PLACED.

ALL PARTS MAY BE PAINTED INDIVIDUALLY BEFORE ASSEMBLY OR, CAN BE BUILT INTO SUB-ASSEMBLIES AND THEN PAINTED. WE RECOMMEND THAT YOU WASH ALL METAL PARTS (EXCEPT FOR THE PHOTO-ETCH PARTS) IN EITHER WARM, SOAPY WATER OR ALCOHOL (OUR PREFERENCE). ALLOW ALL PARTS TO DRY COMPLETELY BEFORE PAINTING OR ASSEMBLING. WE RECOMMEND A GOOD LAQUER BASED PRIMER FOR METAL AND RESIN PARTS. OUR RECOMMENDED PRIMER IS TAMIYA BRAND SURFACE PRIMER. EITHER ACRYLIC OR ENAMEL PAINTS CAN BE USED ONCE THE ASSEMBLIES ARE PRIMED. WE RECOMMEND VALLEJO BRAND ACRYLIC PAINTS FOR THIS KIT.

WATERSLIDE DECALS ARE NOT PRE-CUT AND MUST BE CUT AS CLOSE TO THE EDGE OF THE GRAPHIC AS POSSIBLE. SOAK 30 - 45 SECONDS, FACE UP, FLOATING ON THE SURFACE OF ROOM TEMPERATURE WATER.

PARTS



WATERSLIDE DECALS

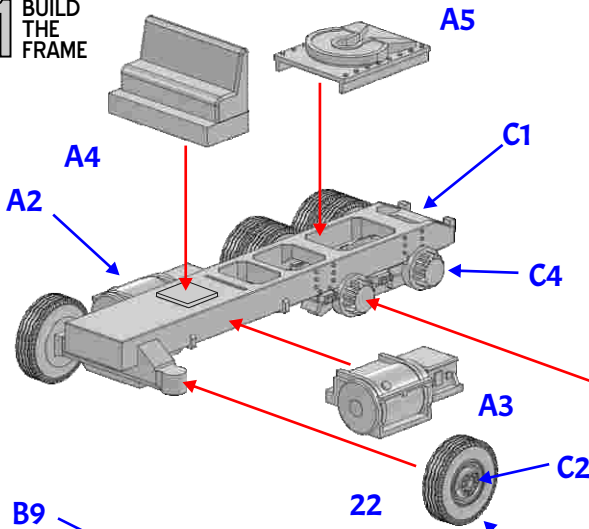


WHITE UNDERLAY
DECALS
-APPLY FIRST-

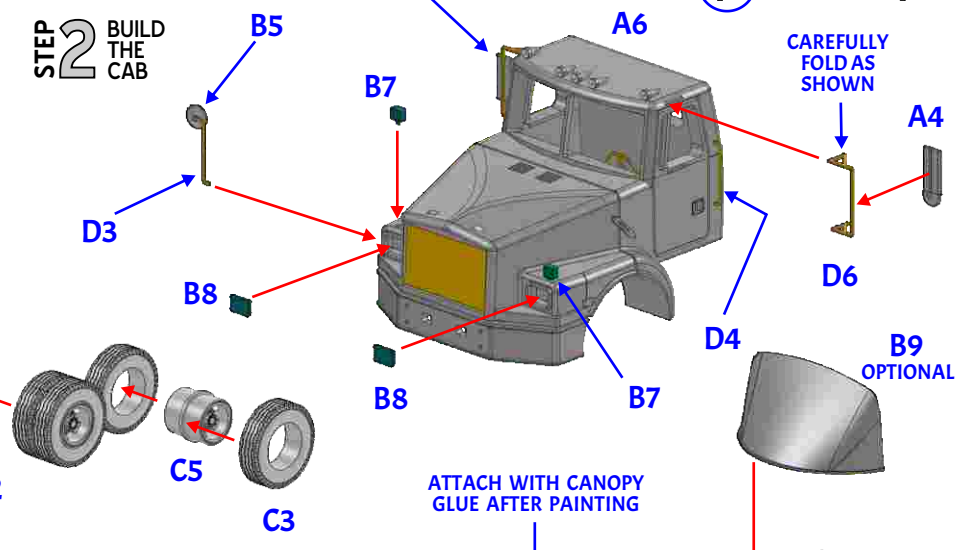
WINDSHIELD

A CLEAR, VACUUM FORMED PART (A7) IS INCLUDED TO CREATE A WINDSHIELD FOR THE TRUCK CAB. USING A SHARP HOBBY KNIFE, CUT AROUND THE EDGES OF THE WINDSHIELD WHILE IT IS STILL ON THE MANDREL. USE A CANOPY GLUE TO ATTACH TO THE OUTSIDE OF THE CAB LAST AFTER ASSEMBLY AND PAINTING IS COMPLETE.

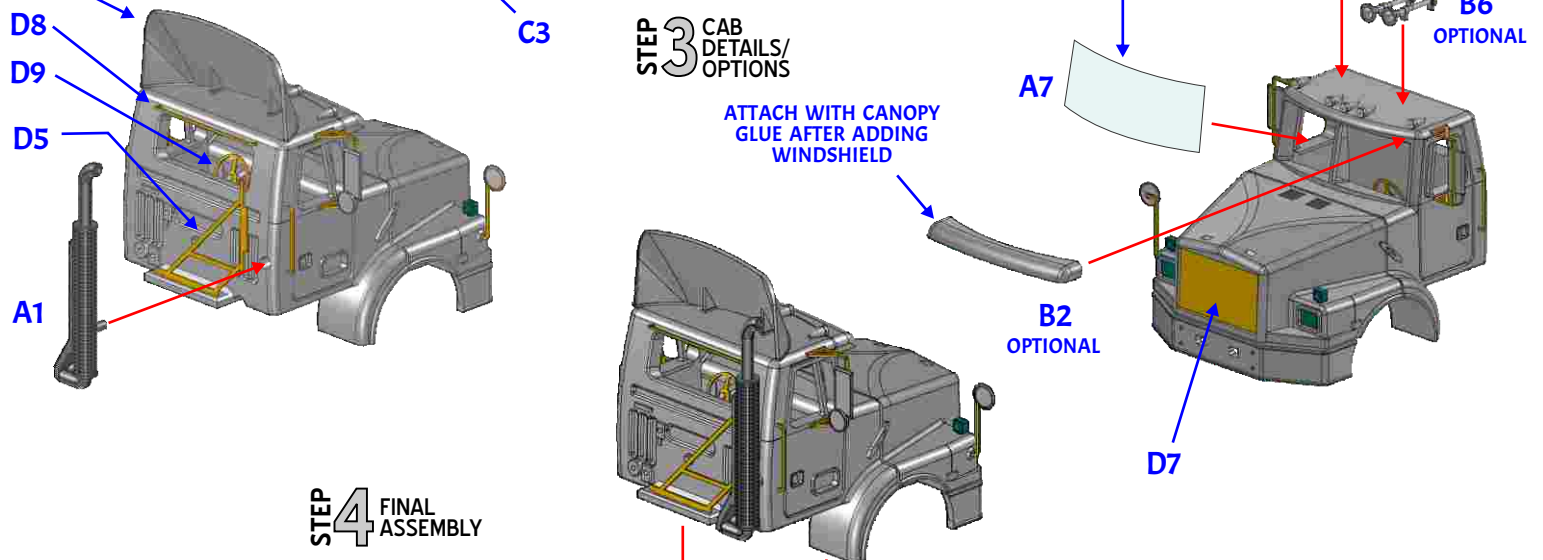
STEP 1 BUILD THE FRAME



STEP 2 BUILD THE CAB



STEP 3 CAB DETAILS/OPTIONS



STEP 4 FINAL ASSEMBLY

