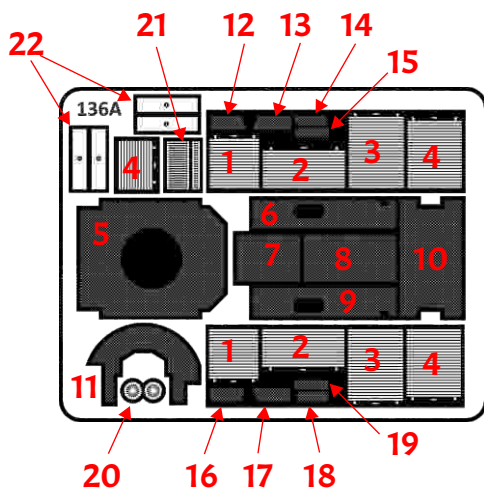
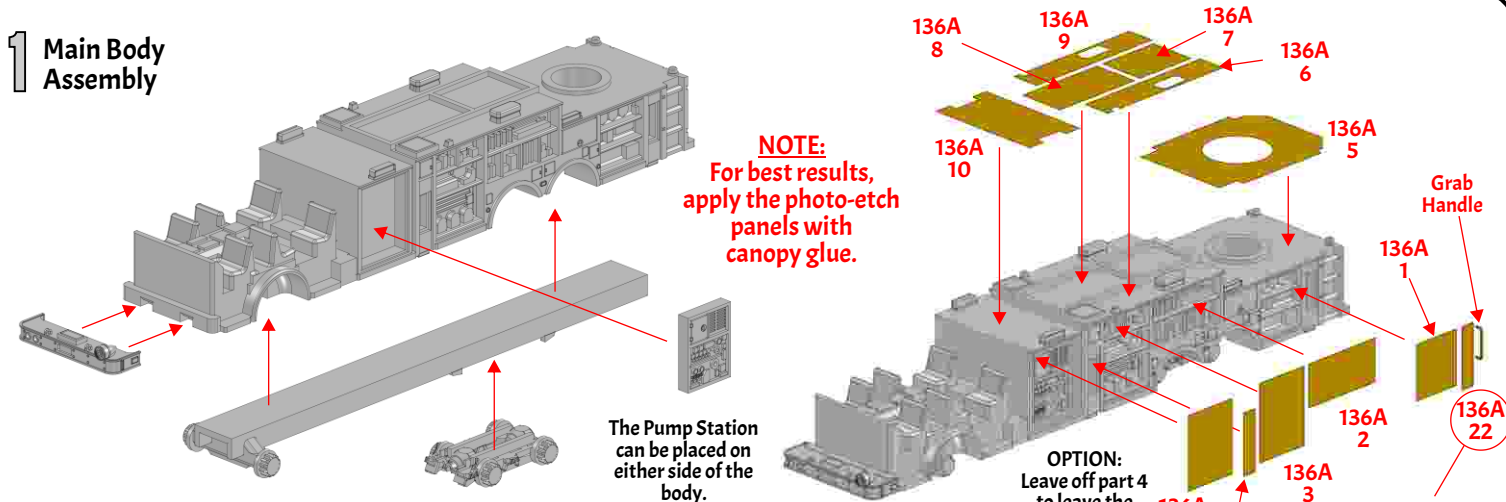


This Aerial Ladder Truck kit from Showcase Miniatures is our latest addition to a growing line of Fire and Rescue vehicles. This kit includes many stainless steel photo-etched and lead-free pewter castings parts to make a very detailed and realistic display model. The aerial ladder assembly can be built retracted or extended and the ladder assembly can be left unglued to rotate on the truck body. The cab and body are molded in resin to reproduced the highest level of detail possible.

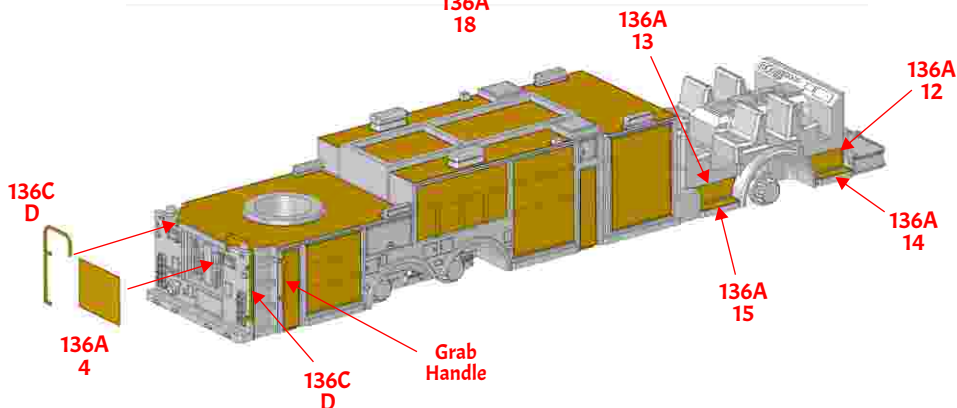
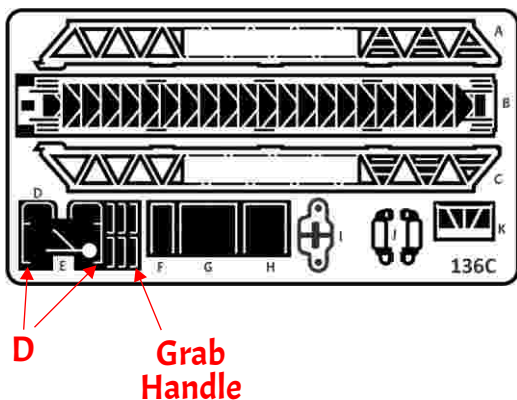
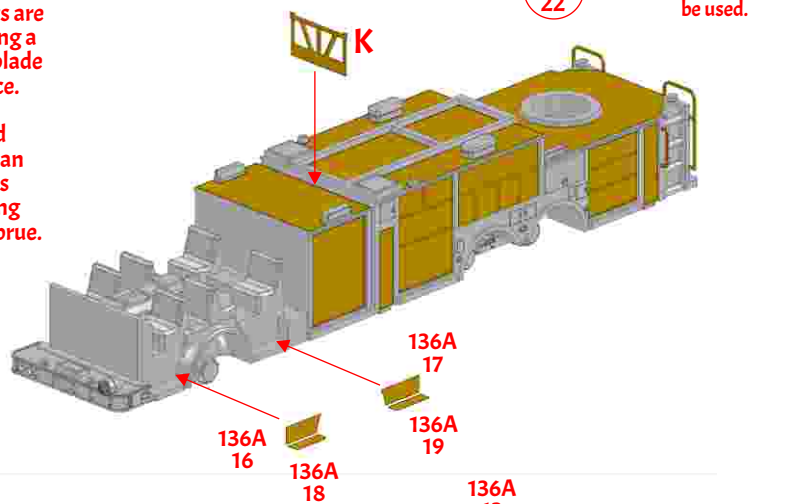
1. Clean the parts and remove any flash with a hobby knife and/or needle file. Carefully rinse the resin parts in warm, soapy water to remove any mold release residue. Any bubble holes should be on the underside and can either be filled or left alone - they will not be visible on the finished model. The pewter parts can be washed in rubbing alcohol. Surface smoothing (if necessary) can be accomplished with extra fine sand paper. Normally, the etched parts do not need cleaning before painting.
2. We recommend building the kit in sub-assemblies and then combining these in the final assembly. Instructions below will show the different sub-assembly builds but don't necessarily have to be built in the order shown.
3. Test fit all parts before final assembly.
4. We recommend CA adhesive (super glue) for assembly. See notes on "Micro Glueing" on page 4.
5. We recommend a laquer based metal primer for painting. We used Tamiya white primer to also serve as the final paint finish in our prototype. The red shown on the prototype model is Testors Flat Red and given a sealing coat of Testors Metalizer Sealer.

1 Main Body Assembly



NOTE: Photo-etched parts are best removed using a heavy duty knife blade on a hard surface.

Use a diamond needle file to clean up any remains of the tab holding the parts on the sprue.



2 Cab Assembly

Windshield Cut from formed clear plastic using the mandrel.

Laser-Cut glazing for windows.

136C E

136A 20

136A 21

136C J

Grab Handle

NOTE: Attach clear windshield parts to the outside LAST with Pressure Sensitive canopy glue.

Same for opposite side

3 Ladder Base Assembly

136C I

136C I

NOTE: Not glueing the pivot pins to "I" will allow the Ladder Assembly to be elevated to any angle. See Page 3 for elevation angle pins

4 Stage 1 Ladder Assembly

NOTE: Test fit ladder parts before applying glue.

Typical Ladder Assembly: Hook the bottom end of the ladder SIDE RAIL into the BASE RAIL and pivot it down into the alignment holes along the outer edge of the BASE RAIL

136C A

136C C Opposite

136C B

Hold SIDE RAIL in place in alignment holes and glue with CA (super glue)

MAIN BASE RAIL (B)

Hook lower end of SIDE RAIL here.

Alignment Holes for SIDE RAIL.

5 Stage 2 Ladder Assembly (See Page 3 for parts)

136B A

136B B

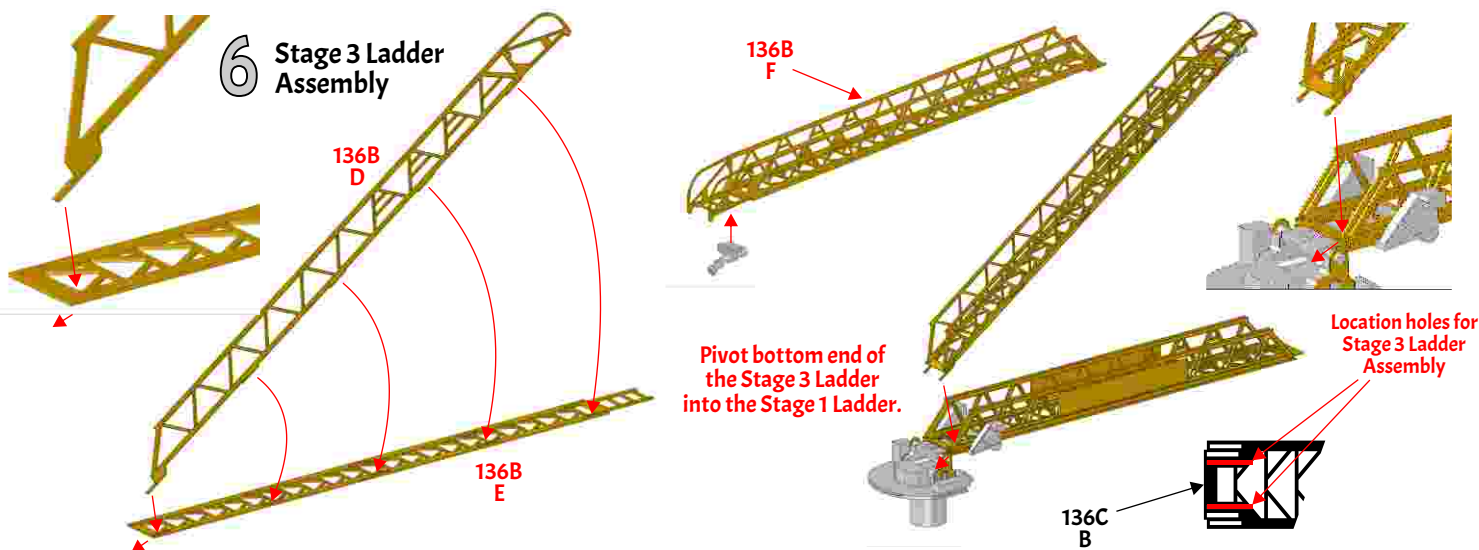
136B C

Location holes for Stage 2 Ladder Assembly

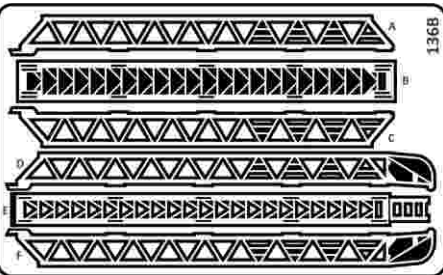
136C B

Stage 2 Ladder can be nested for any length of extension into the Stage 1 Ladder by snipping off the locating tabs.

6 Stage 3 Ladder Assembly



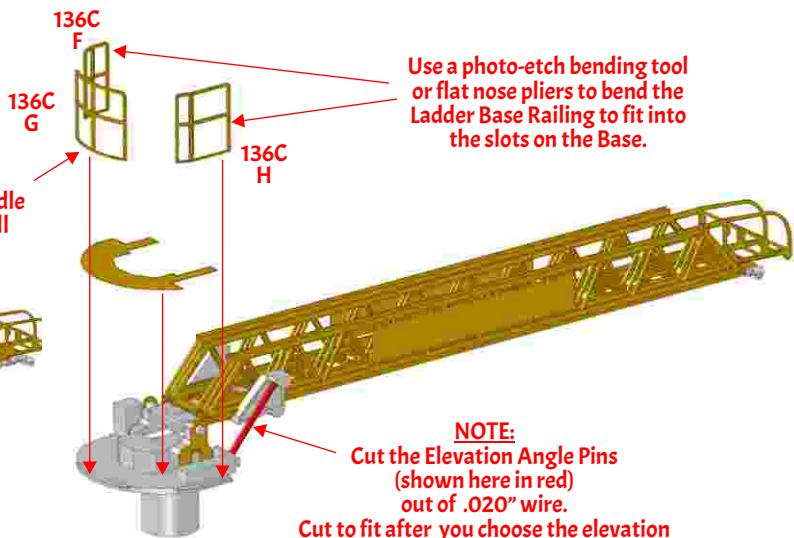
7 Aerial Assembly



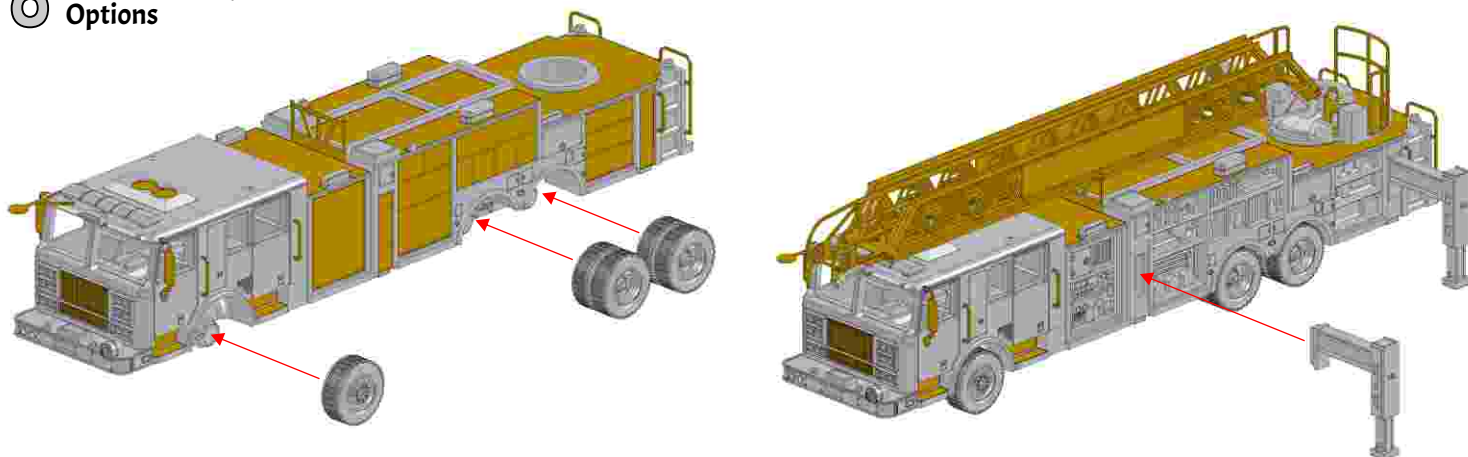
Stage 3 Ladder can be nested for any length of extension into the Stage 2 Ladder by snipping off the locating tabs.

Use a hobby knife handle or round dowel to roll this railing to fit its slot in the Base.

Use a photo-etch bending tool or flat nose pliers to bend the Ladder Base Railing to fit into the slots on the Base.



8 Final Assembly Options





NOTE:
Carefully cut out the supplied graphics and apply them to the model using Pressure Sensitive canopy glue.



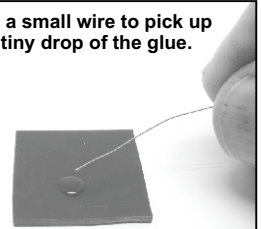
Micro-Glueing

This glueing technique will work with most types of glue. We use it extensively for building our model kits.

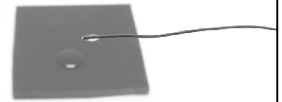
Place a small drop of glue on a scrap piece of plastic.



Use a small wire to pick up a tiny drop of the glue.



This is the amount to apply.

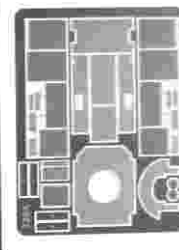
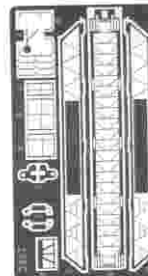
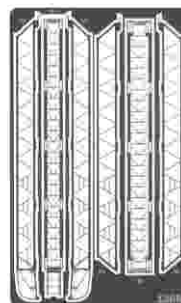
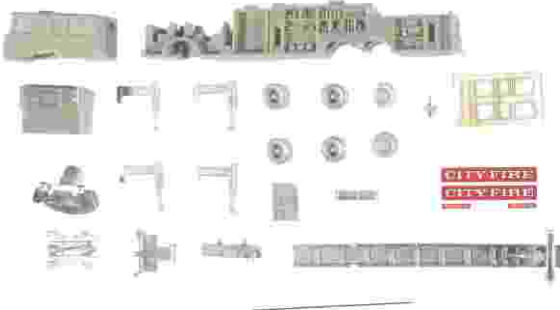


Place the tiny drop where the two parts meet. Capillary action will pull the glue drop into the joint.



This part is from our #75 Bucket Truck

Parts Included:



Tools Required:

- CA type glue (Super Glue) for assembly.
- Tweezers
- Xacto Knife with #11 Blade.
- Flat Nose Pliers.
- Diamond grit needle file