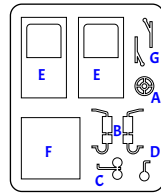
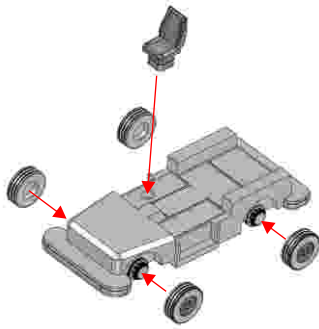


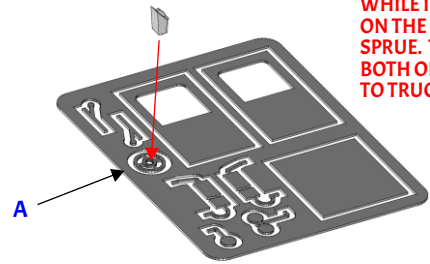
PARTS



STEP 1 CHASSIS

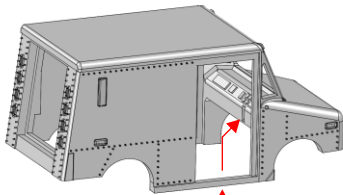


STEP 2 STEERING COLUMN



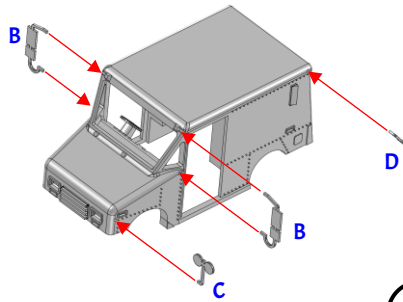
FOR BEST RESULTS, ATTACH STEERING COLUMN TO STEERING WHEEL WHILE IT IS STILL ON THE PHOTO-ETCH SPRUE. THEN, CUT BOTH OFF TO ATTACH TO TRUCK BODY (STEP 3)

STEP 3 STEERING COLUMN



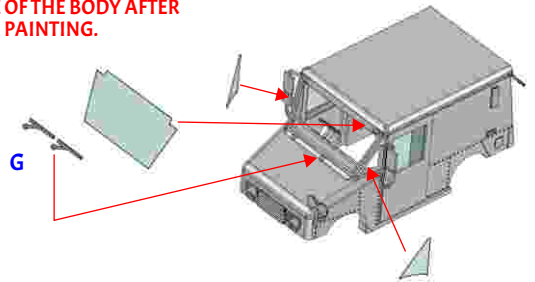
STEERING COLUMN ASSEMBLY

STEP 4 PHOTO-ETCH DETAILS

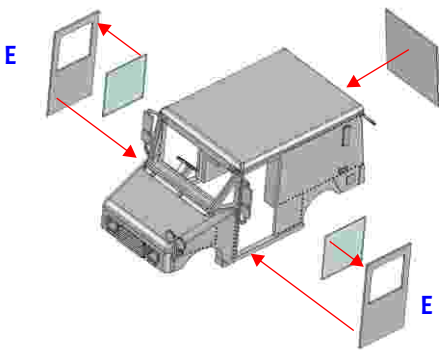


NOTE: USE PSA CANOPY GLUE (PRESSURE SENSITIVE ADHESIVE) TO ATTACH GLAZING TO THE OUTSIDE OF THE BODY AFTER PAINTING.

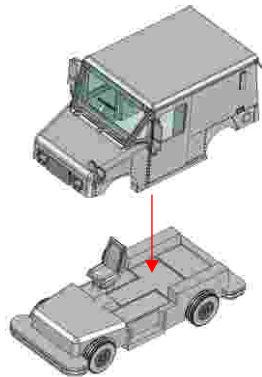
STEP 5 GLAZING



STEP 6 DOORS



STEP 7 FINAL ASSEMBLY



PREP AND FINISH

- 1) CLEAN ALL PARTS BEFORE ASSEMBLY - USE ALCOHOL BATH FOR THE CAST METAL PARTS, WARM SOAPY WATER FOR THE RESIN BODY.
- 2) WE RECOMMEND USING CA TYPE (SUPER GLUE)
- 3) WE ALSO RECOMMEND BUILD THIS KIT IN SEPARATE ASSEMBLIES AND THEN PAINTING THE ASSEMBLIES.
- 4) USE A LAQUER BASED PRIMER ON THE MODEL. OUR PROTOTYPE WAS PAINTED WITH TAMIYA WHITE PRIMER AND WE LET THAT SUFFICE FOR THE FINAL FINISH.
- 5) WATERSLIDE DECALS ARE NOT PRE-CUT AND MUST BE CUT AS CLOSE TO THE EDGE OF THE GRAPHIC AS POSSIBLE. SOAK 30 - 45 SECONDS FACE UP, FLOATING ON SURFACE OF ROOM TEMP. WATER.

