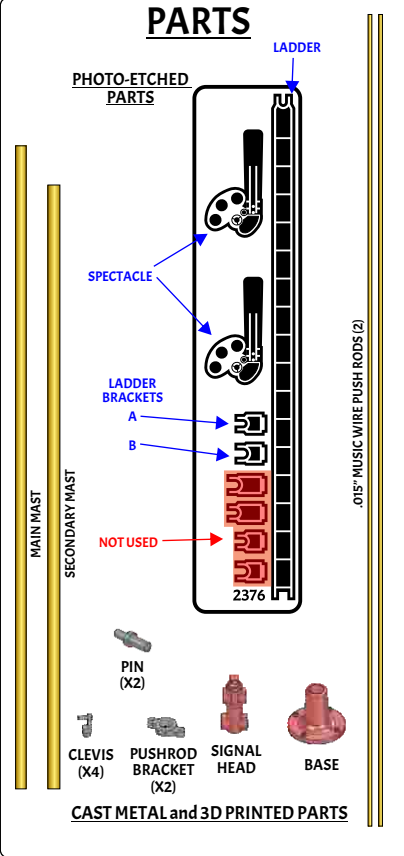
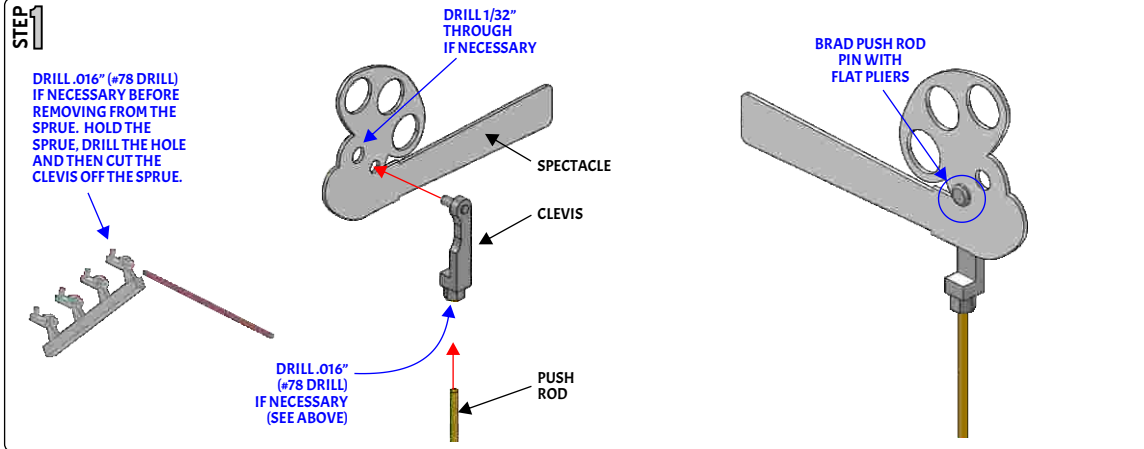


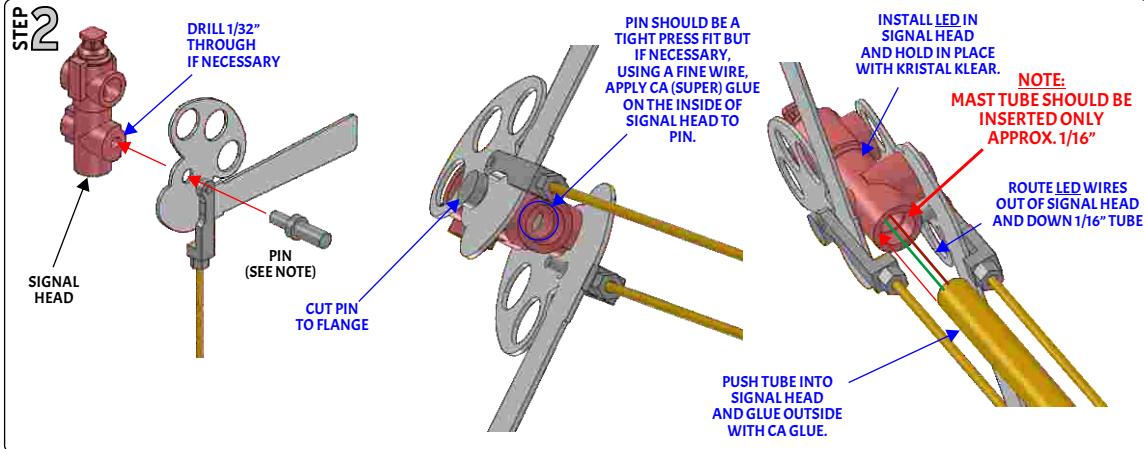
PARTS



STEP 1



STEP 2



IMPORTANT!
READ THROUGH ENTIRE ASSEMBLY AND TEST FIT PARTS BEFORE BEGINNING!

Tools You May Need:

- 1/32" Drill Bit
- 1/16" Drill Bit
- #78 Drill Bit
- Needle Files
- CA Type Super Glue

Kristal Klear

Red, Green and Yellow Transparent Paint

Clean and Debur all Parts

before beginning assembly. Some parts may need to be opened with a drill bit.

PAINTING

The kit should be built in two assemblies ; The Spectacles and Head as one assembly and the main mast assembly.

Prime and paint the completed head assembly flat black then fill the roundel openings with micro Kristal Klear and (when thoroughly dry) use a transparent paint (like Vallejo) for the roundel color. The transparent paints can be easily mixed together to allow an unlimited variation to the roundel color.

Prime and paint the finished mast assembly with a laquer based primer (Tamiya) and then paint it silver. Generally, the silver will look more prototypical if sprayed with Dullicote after.

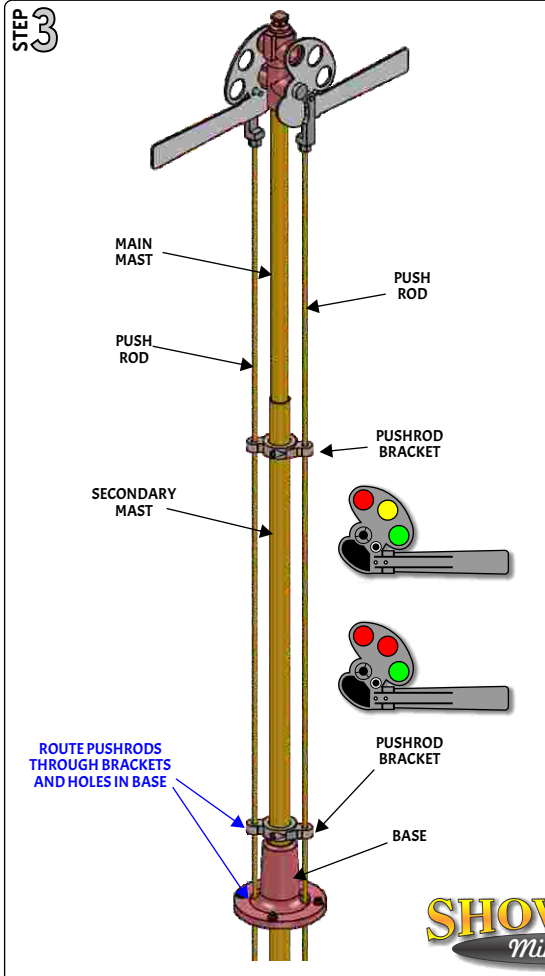
Install the LED (sold separately) as shown and glue the signal head to the mast (as shown).

Transparent Paint Sample in Three Colors.



Item Number 0019

STEP 3



STEP 4

