

STEP 1

WASH ALL METAL PARTS IN A SOAPY WATER SOLUTION OR ALCOHOL TO REMOVE ANY RESIDUE FROM THE PRODUCTION PROCESS.

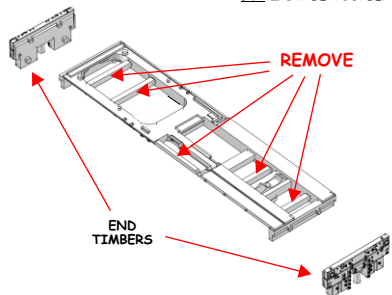
FOLLOW THE INSTRUCTIONS INCLUDED WITH THE POWER TRUCK TO PREPARE IT FOR ASSEMBLY INTO THE LOCOMOTIVE SHELL.

NOTE:

CHECK THE FIT OF ALL PARTS BEFORE APPLYING GLUE. WE RECOMMEND USING A CA TYPE SUPER GLUE FOR ASSEMBLY.

THE CLASS B SHAY FRAME HAS BEEN UPDATED

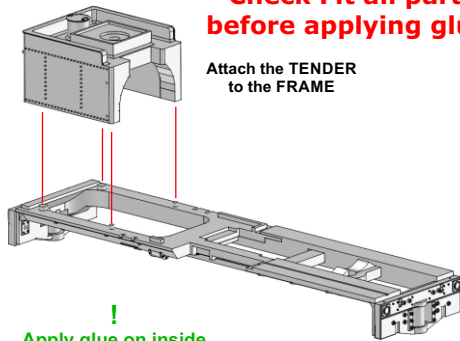
THE END TIMBERS ARE SUPPLIED PRE-ASSEMBLED WITH MICROTRAINS 902 Z SCALE COUPLERS.



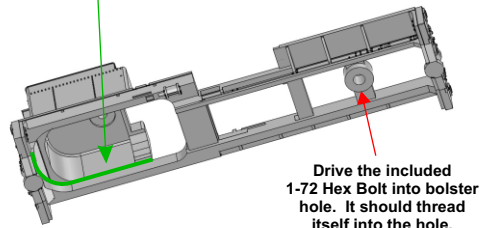
STEP 3

! Check Fit all parts before applying glue.

Attach the TENDER to the FRAME



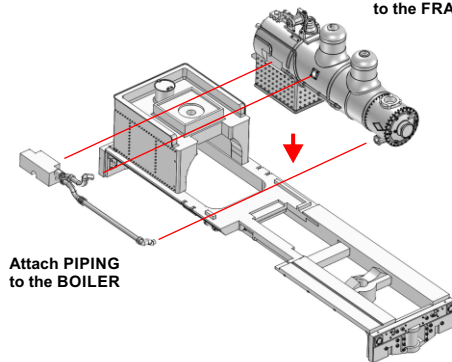
! Apply glue on inside to the joint area between the TENDER and the FRAME to increase the strength of the joint area



Drive the included 1-72 Hex Bolt into bolster hole. It should thread itself into the hole.

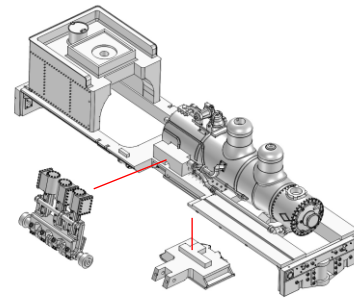
STEP 4

Attach BOILER to the FRAME



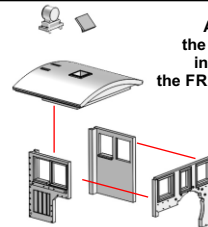
Attach PIPING to the BOILER

STEP 5

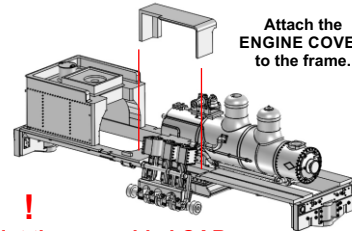


STEP 6

Assemble the CAB before installing on the FRAME assembly.



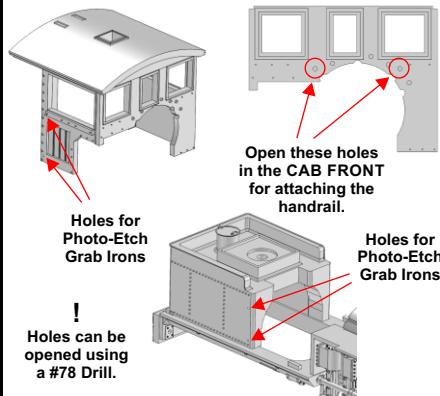
Attach the ENGINE COVER to the frame.



! Paint the assembled CAB before attaching to the frame.

CAB FRONT

Open these holes in the CAB FRONT for attaching the handrail.

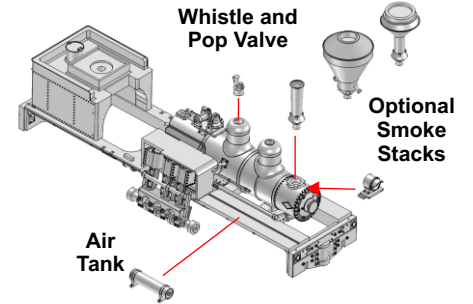


! Holes can be opened using a #78 Drill.

STEP 7

Whistle and Pop Valve

Optional Smoke Stacks



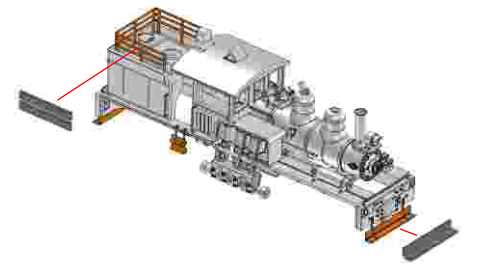
Air Tank

Add the Details

Air Pump

Water Pump

! We recommend attaching the Laser-Cut fiber board details at this point (See Page 2).

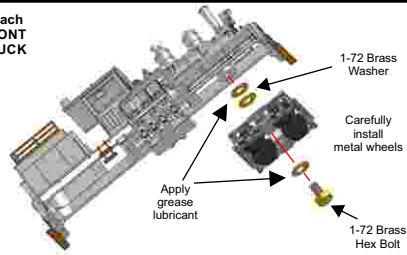


We painted the completed Main assembly and the completed Cab assembly at this point before attaching the Front Truck or the PowerMax mechanism.

We used Testors Flat Black Spray. (See Painting on page 2)

STEP 8

Attach FRONT TRUCK



N Scale Class B, 26 Ton Shay

This Two Truck Shay shell kit is designed to work with our own power truck. It is a N Scale model designed to run on Z Scale track.

Parts are included to build the Shay as a wood, coal or oil burning locomotive.

We recommend assembly using Duro brand CA adhesive (Super Glue).

STEP 9

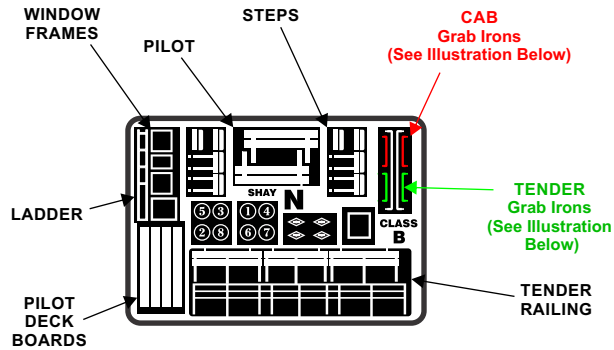
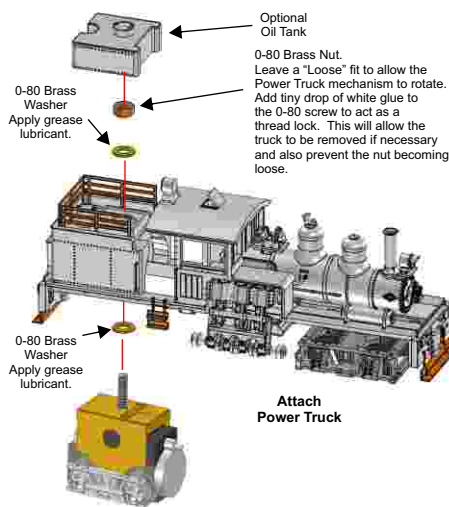
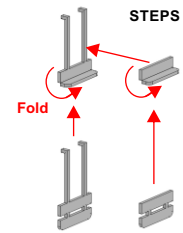


Photo-Etch Parts Assembly and Placement

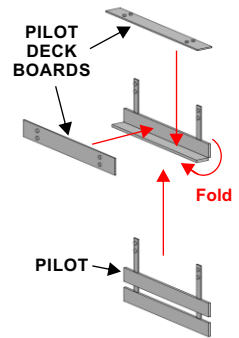
Painting

Testor's Flat Black Spray paint is a good choice. This paint is very thin, covers well and is durable. We recommend that you use a metal surface primer first if you plan to paint the model.

STEP Assembly



PILOT Assembly



PARTS LIST

