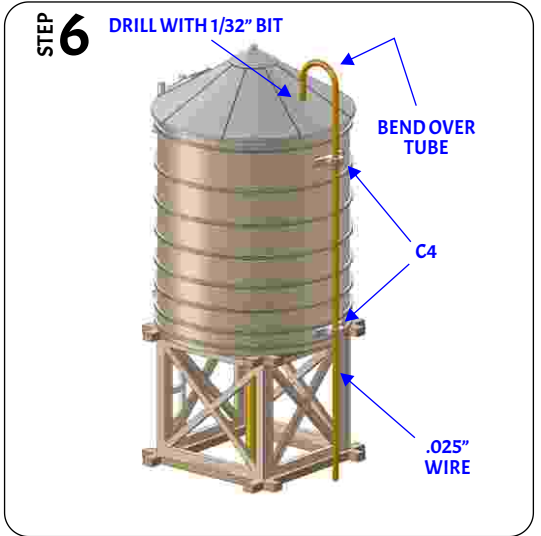
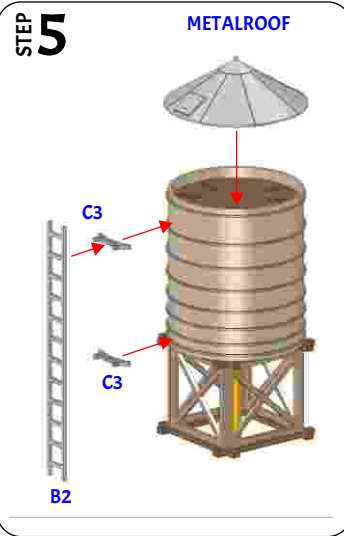
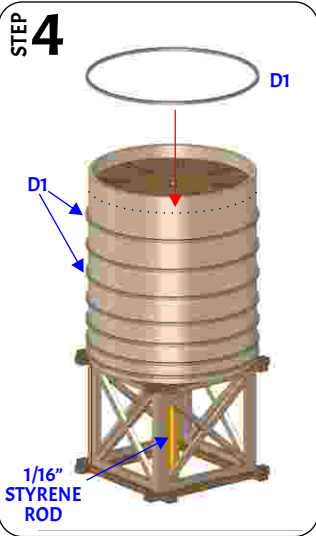
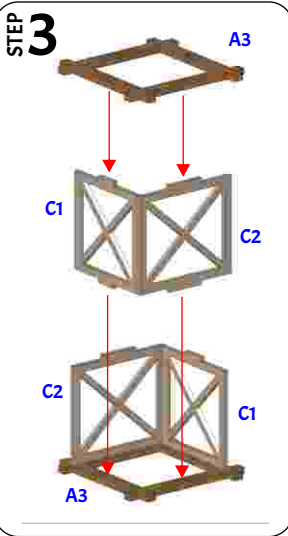
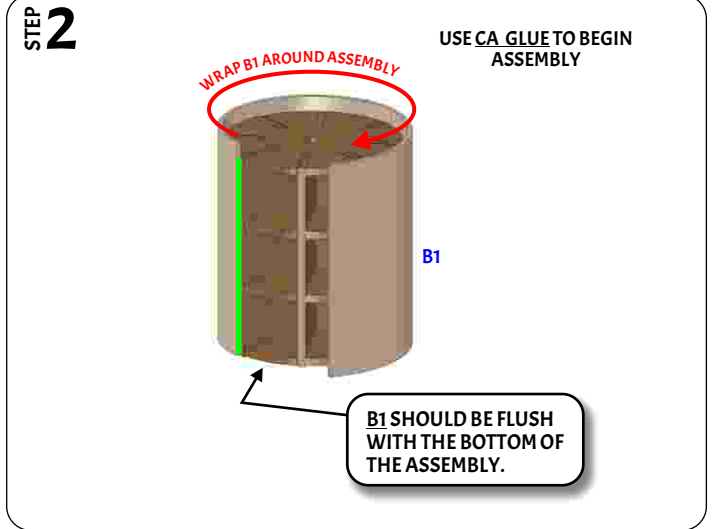
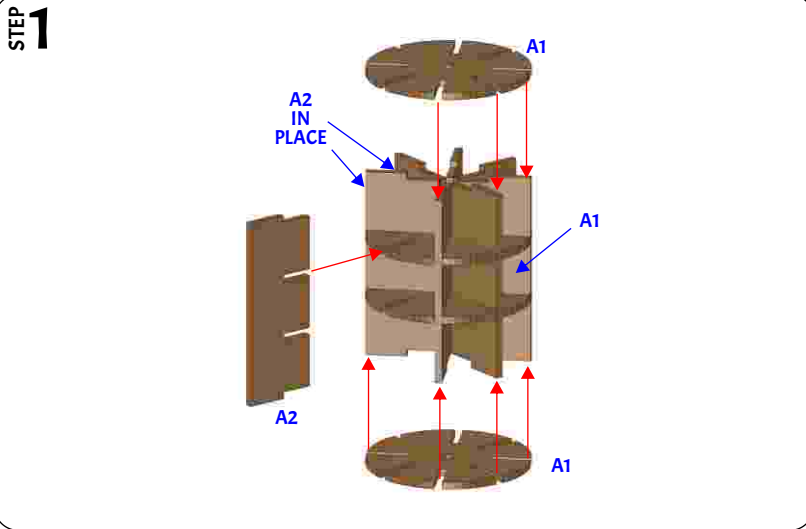
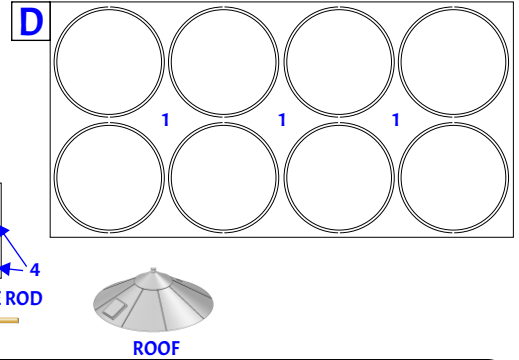
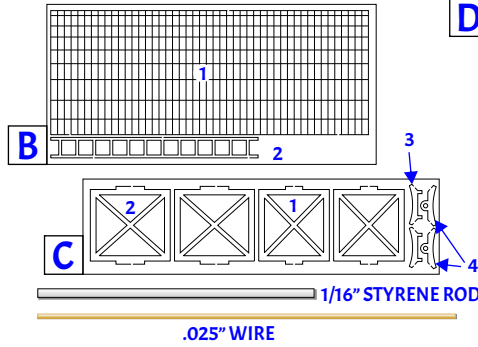
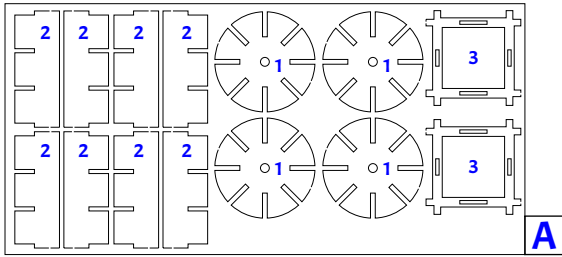


PARTS



**FOR BEST RESULTS, WE RECOMMEND USING CARPENTER'S WOOD GLUE FOR ASSEMBLY. SUPER GLUE CAN BE USED TO HOLD SOME PARTS IN PLACE UNTIL THE WOOD GLUE CURES.**

**STEP 1** GLUE BULKHEADS (A2) IN PLACE ON THE FRAME DISCS (A1) WITH CARPENTER'S WOOD GLUE. MAKE SURE THE BULKHEADS ARE SEATED IN THEIR PROPER SLOTS BY ROLLING THE GLUED ASSEMBLY ON A FLAT SURFACE.

**STEP 2** GLUE ONE EDGE OF B1 ON A A2 BULKHEAD WITH CA (SUPER) GLUE. MAKE SURE THE BOTTOM OF B1 IS FLUSH WITH THE BOTTOM OF THE BULKHEAD ASSEMBLY. NEXT, ONCE THE GLUE HAS DRIED, TEST WRAP B1 AROUND THE BULKHEADS FOR TEST FIT. TRIM B1 IF NECESSARY FOR FIT. APPLY WOOD GLUE TO THE BULKHEADS AND CAREFULLY WRAP B1 AROUND FRAMEWORK. THEN GLUE AT JOINT WITH CA GLUE TO HOLD IN PLACE UNTIL THE WOOD GLUE DRIES.

**STEP 3** ASSEMBLE TWO EACH OF PARTS C1 AND C2 TO THE TOP AND BOTTOM PARTS A3. NOTE THAT THE TABS ON C1 AND C2 CORRESPOND TO SLOTS ON A3.

**STEP 4** RINGS CAN BE REPLACED WITH WIRE FOR A MORE REALISTIC LOOK. CAREFULLY PLACE AND GLUE EACH RING INDIVIDUALLY AND ONE AT A TIME ALLOWING THE GLUE TO DRY BETWEEN INSTALLATION. INSTALL THE STYRENE ROD FROM THE BOTTOM AND CUT TO LENGTH.

**STEP 5/6** GLUE C3 AND C4 TO THE ASSEMBLY IN ORDER TO ATTACH THE LADDER (B2) AND FILL PIPE. THE LADDER MAY NEED TO BE CUT TO LENGTH. IT MAY BE NECESSARY TO DRILL A 1/32" HOLE IN THE ROOF FOR THE FILL PIPE.