

PARTS

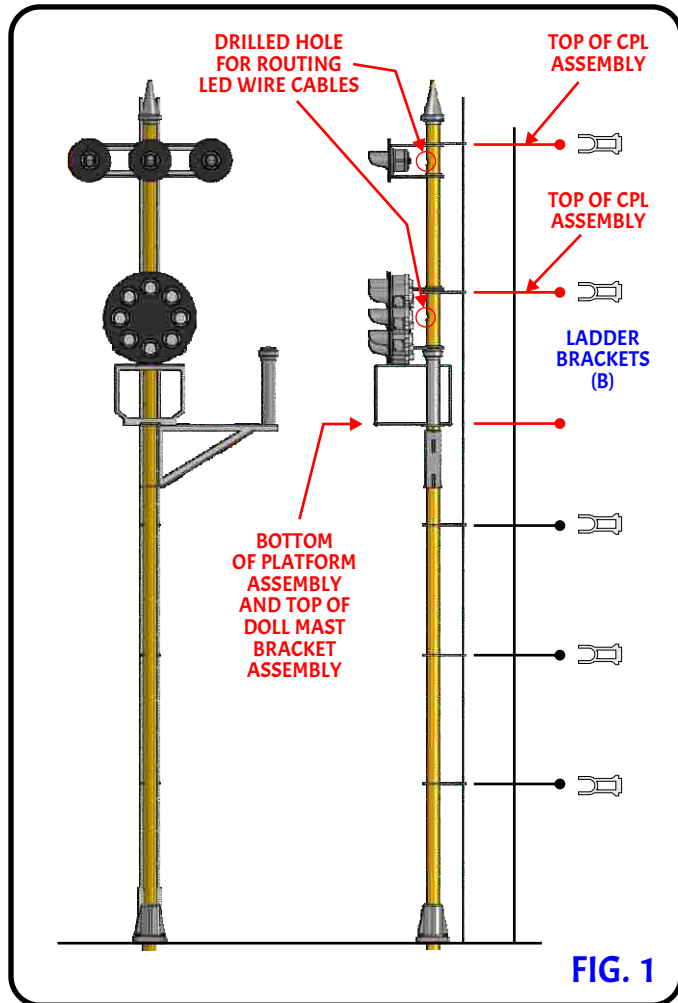
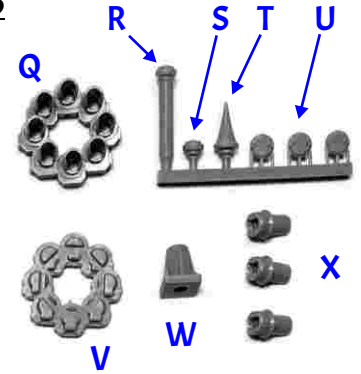


FIG. 1

THIS SIGNAL ASSEMBLY IS DESIGNED FOR THE USE OF OUR 603 LEDs (SOLD SEPARATELY).

WE HIGHLY RECOMMEND THAT YOU READ THROUGH THE ASSEMBLY STEPS AND STUDY THE DIAGRAMS CLOSELY TO FAMILIARIZE YOURSELF WITH OUR SUGGESTED ASSEMBLY METHOD.

THIS B&O TYPE CPL GROUND MAST SIGNAL KIT CAN BE BUILT IN MANY DIFFERENT CONFIGURATIONS WITH THE PARTS THAT ARE INCLUDED. THE B&O CPL SIGNAL WAS CONFIGURED IN DIFFERENT HEIGHTS AND WITH VARYING NUMBERS OF CPL SIGNAL HEADS. THE DOLL MAST IS ALSO INCLUDED IF YOU DESIRE TO ADD IT TO YOUR SIGNAL ASSEMBLY. THE ILLUSTRATION IN FIG. 1 SHOWS A GROUND MAST SIGNAL ASSEMBLY WITH MANY OF THE PARTS INCLUDED IN THIS KIT.

THE ILLUSTRATION IN FIG. 1 IS IN HO SCALE AND CAN BE USED AS A MARKING GUIDE FOR YOUR ASSEMBLY. TO BEGIN, LAY THE BRASS MAST TUBE DIRECTLY ON THE SUPPLIED DRAWINGS AND MARK THE LOCATIONS FOR THE THE LADDER BRACKETS AND TOP OF THE CPL SIGNAL HEAD ASSEMBLIES (FIG. 2). ALSO MARK THE LOCATIONS OF THE HOLES TO BE DRILLED IN THE MAST TUBE.

DRILL AND PREPARE THE MAST TUBE AS SHOWN IN FIG. 3.

PREPARING THE MAST TUBE

PREPARE THE MAST TUBE FOR THE LED WIRES BY FIRST FILING THE LOCATION WITH A "V" SHAPED NEEDLE FILE. THIS WILL HELP IN DRILLING THE ROUTING HOLE FOR THE WIRES. USE A 1/32" (OR SLIGHTLY LARGER) DRILL BIT TO DRILL INTO THE TUBE. SMOOTH THE OPENING WITH A NEEDLE FILE TO PREVENT DAMAGE TO THE MAGNET WIRE INSULATION.




FIG. 3

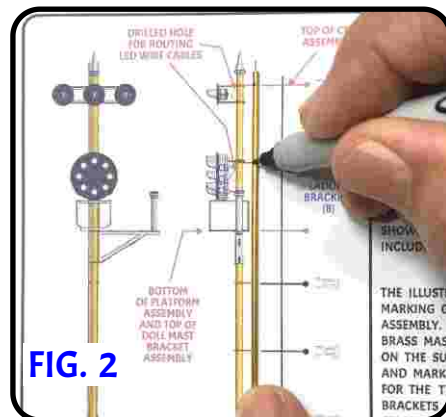


FIG. 2

THE ILLUSTRATION IN FIG. 1 IS IN HO SCALE AND CAN BE USED AS A MARKING GUIDE FOR YOUR ASSEMBLY. TO BEGIN, LAY THE BRASS MAST TUBE DIRECTLY ON THE SUPPLIED DRAWINGS AND MARK THE LOCATIONS FOR THE THE LADDER BRACKETS AND TOP OF THE CPL SIGNAL HEAD ASSEMBLIES (FIG. 2). ALSO MARK THE LOCATIONS OF THE HOLES TO BE DRILLED IN THE MAST TUBE.

GENERALLY, WE RECOMMEND USING CA TYPE GLUE FOR ASSEMBLY (SUPER GLUE). SOME PARTS CAN BE HELD IN PLACE WITH CANOPY GLUE AND THEN CA GLUE CAN BE APPLIED TO ATTACH THE PART.

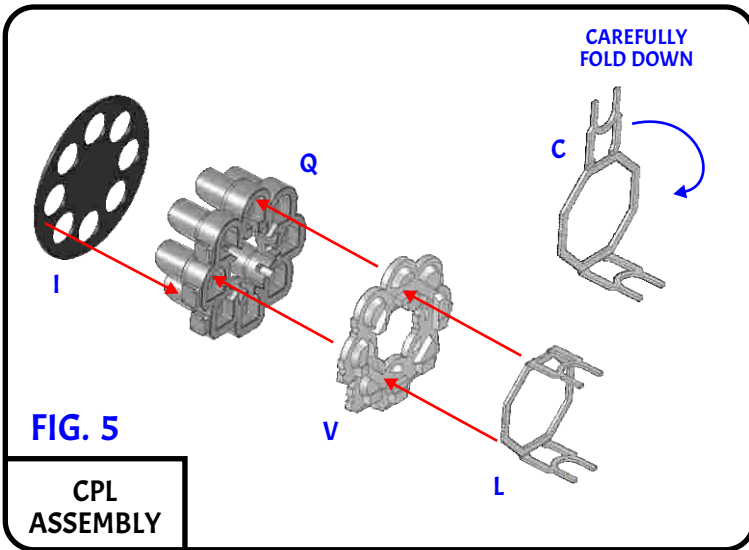
SEE "MICRO-GLUEING" BELOW.

MICRO-GLUEING

APPLY SEVERAL DROPS OF SUPER GLUE TO A PLASTIC SURFACE FOR A RESERVOIR AND USE A SHORT LENGTH OF FINE WIRE TO DIP OUT A TINY DROP OF GLUE (FIG. 8).



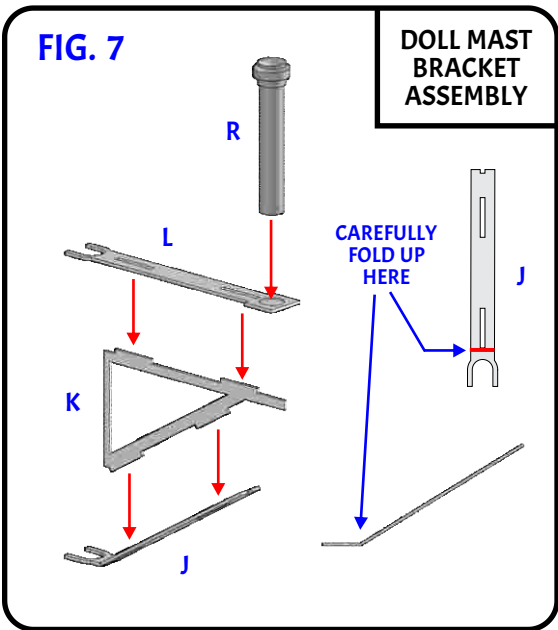
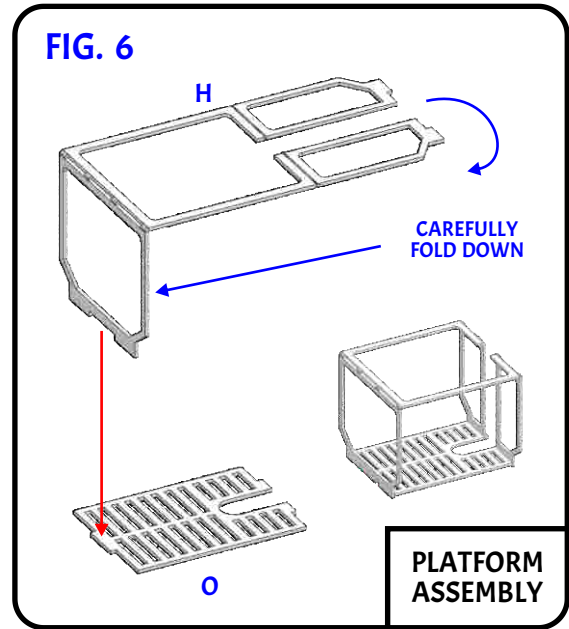
FIG. 4



CAREFULLY FOLD THE CPL SIGNAL HEAD BRACKET (C) AS SHOWN IN FIG. 5. INSTALL THE LEDs INTO THE HEAD (K) AND ROUTE THE MAGNET WIRES THROUGH THE INDIVIDUAL ROUTING HOLES AND OUT THE REAR AT THE CENTER OF THE BACK (C). ATTACH THE SIGNAL BACK USING KRISTAL KLEAR OR CANOPY GLUE TO ALLOW REMOVAL LATER IF NECESSARY. THE SHIELD (I) AND MOUNTING BRACKET (L) CAN BE MOUNTED USING CA GLUE.

CAREFULLY TWIST THE LED WIRES INTO A CABLE. THIS CABLE CAN BE ROUTED OUT THROUGH THE BACK ASSEMBLY, INTO THE PREVIOUSLY PREPARED HOLE IN THE MAST AND DOWN THE MAST TUBE IN THE FINAL ASSEMBLY (FIG. 9).

CAREFULLY FOLD THE PLATFORM RAILING (H) AS SHOWN IN FIG. 6.
ATTACH THE FORMED RAILING TO THE PLATFORM BASE (O) WITH CA GLUE.

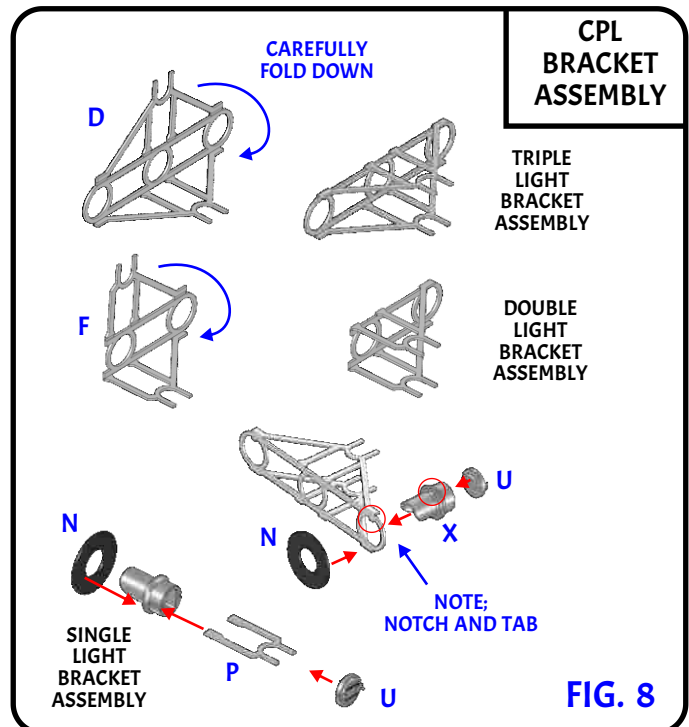


ASSEMBLE THE DOLL MAST BRACKET AS SHOWN IN FIG. 7.

FOLD THE SUPPORT BRACKET (H) TO THE ANGLE SHOWN.

CAREFULLY FOLD THE CPL SIGNAL HEAD BRACKET (D OR F) AS SHOWN IN FIG. 8. INSTALL THE LEDs INTO THE HEAD (X) AND ROUTE THE MAGNET WIRES THROUGH THE INDIVIDUAL ROUTING HOLES AND OUT THE REAR AT THE CENTER OF THE BACK (U). ATTACH THE SIGNAL BACK USING KRISTAL KLEAR OR CANOPY GLUE TO ALLOW REMOVAL LATER IF NECESSARY. THE SHIELD (N) AND MOUNTING BRACKET (P) CAN BE MOUNTED USING CA GLUE.

CAREFULLY TWIST THE LED WIRES INTO A CABLE. THIS CABLE CAN BE ROUTED OUT THROUGH THE BACK ASSEMBLY, INTO THE PREVIOUSLY PREPARED HOLE IN THE MAST AND DOWN THE MAST TUBE IN THE FINAL ASSEMBLY (FIG. 9).



TRIPLE LIGHT BRACKET ASSEMBLY

DOUBLE LIGHT BRACKET ASSEMBLY

SINGLE LIGHT BRACKET ASSEMBLY

NOTE; NOTCH AND TAB

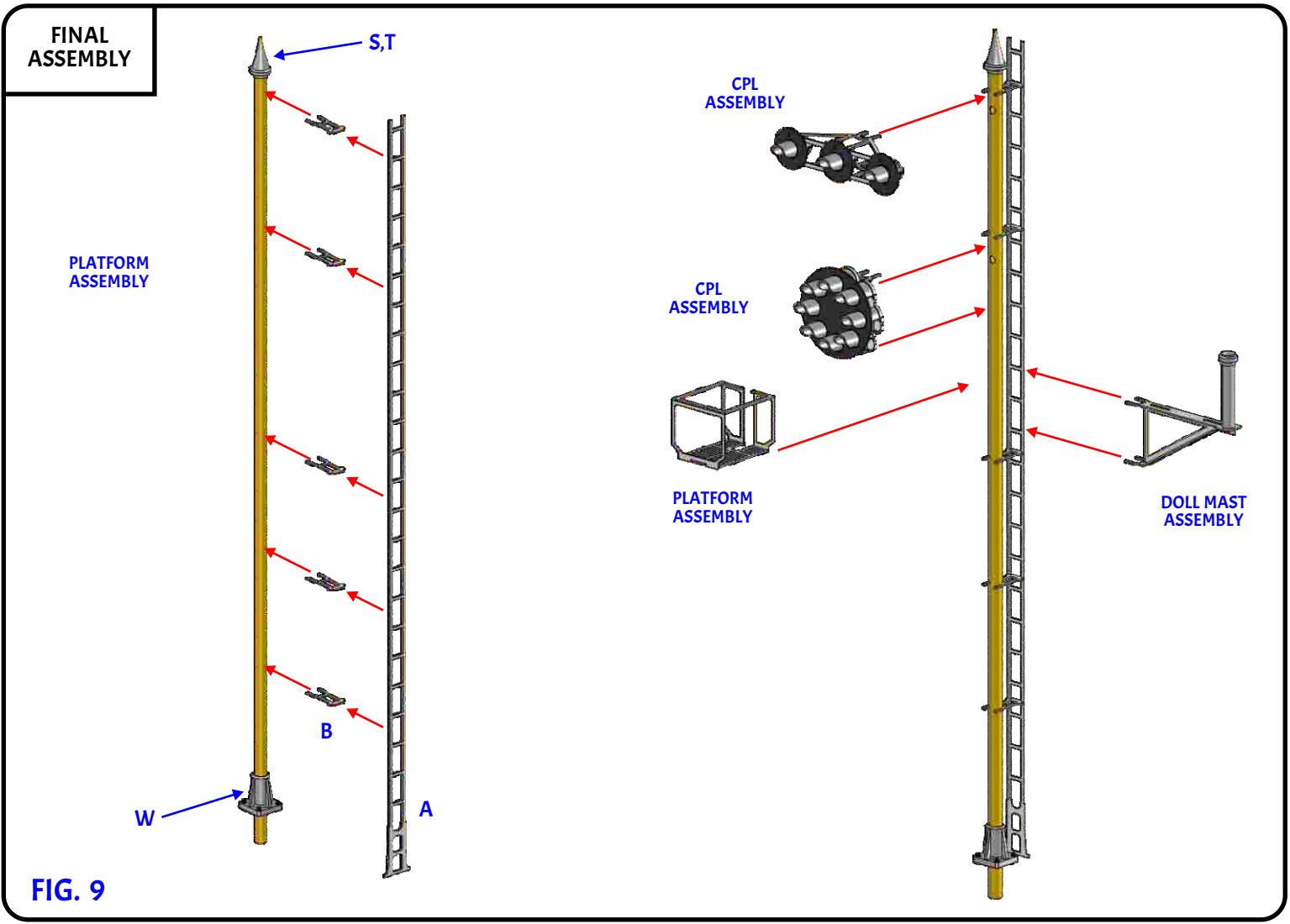


FIG. 9

USE CANOPY GLUE TO HOLD THE LADDER BRACKETS (B) IN PLACE AT THEIR PREVIOUSLY MARKED LOCATIONS ON THE MAST.

ONCE THE BRACKETS ARE IN PLACE, ALIGN TO TOP AND BOTTOM BRACKETS PERPENDICULAR TO THE SIGNAL MAST AND ADD THE LADDER (A) USING CANOPY GLUE TO THESE BRACKETS. WHEN IN PLACE, GLUE WITH CA GLUE.

ONCE THE LADDER IS PRELIMINARILY ATTACHED, POSITION THE REMAINING BRACKETS ON THE MAST INTO POSITION. THESE SHOULD BE HELD IN PLACE SO YOU CAN GLUE THEM TO THE LADDER WITH CA GLUE.

NOW YOU CAN POSITION AND GLUE THE SUB-ASSEMBLIES IN THEIR PREVIOUSLY MARKED LOCATIONS ON THE SIGNAL MAST.

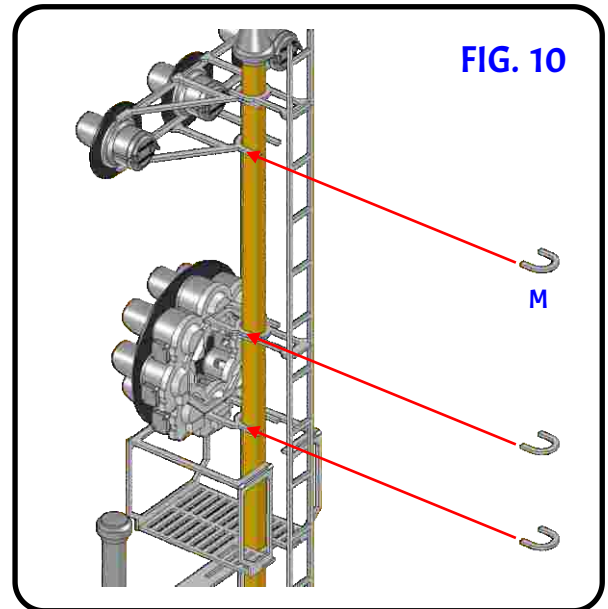


FIG. 10

BRACKET BACKS (M) ARE OPTIONAL BUT CAN BE APPLIED TO SIMULATE A COMPLETE BRACKET MOUNT (FIG. 10).