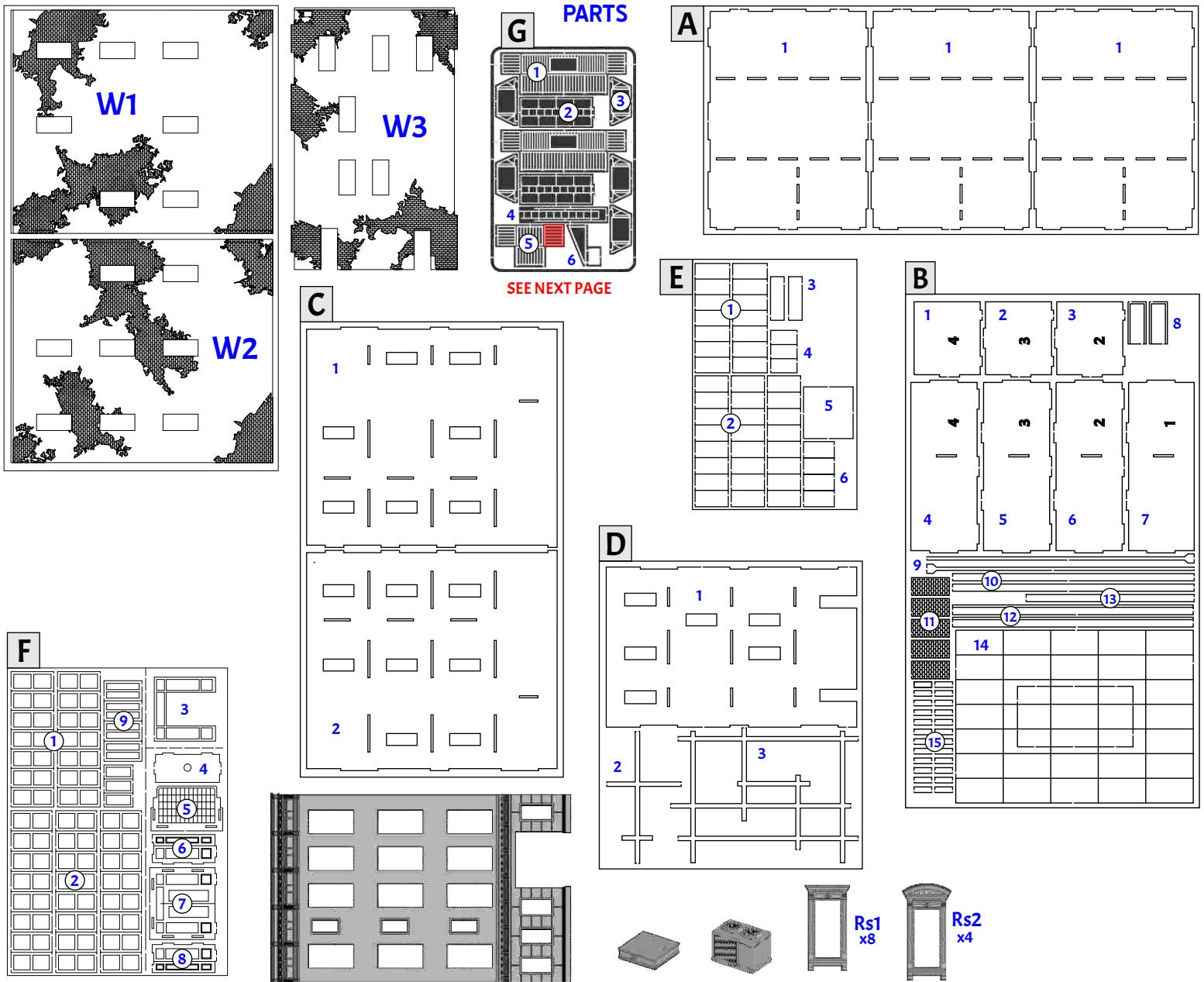


PLEASE !! READ THROUGH ALL OF THE INSTRUCTION STEPS BEFORE STARTING. THE PARTS ARE DESIGNED TO BE PRECISE FITTING AND SOME ASSEMBLIES BUILD ON PREVIOUS STEPS.

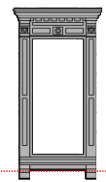
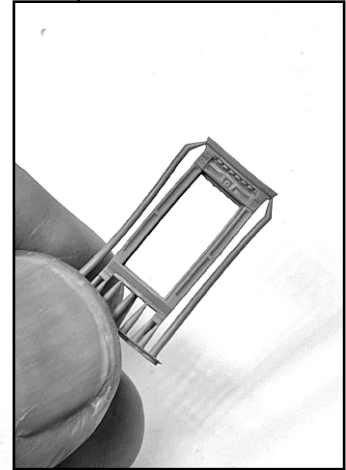
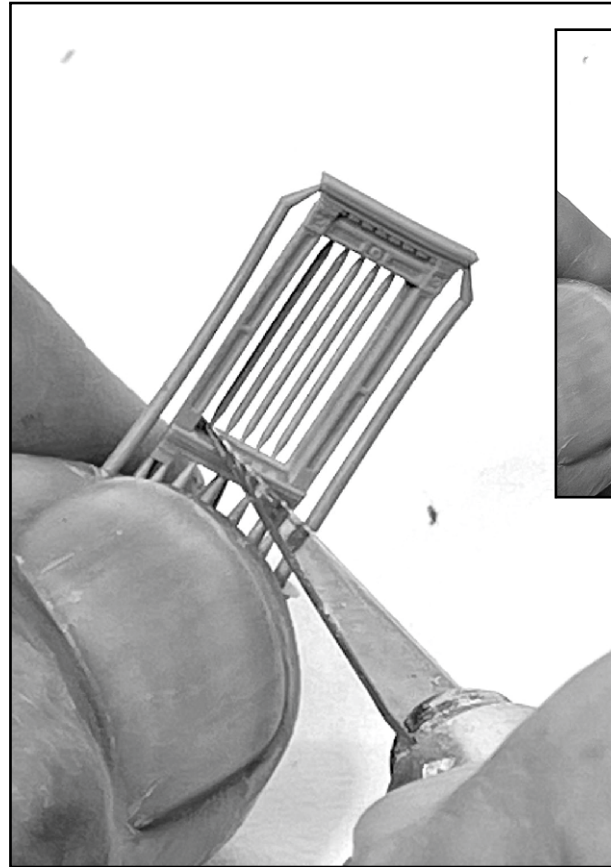
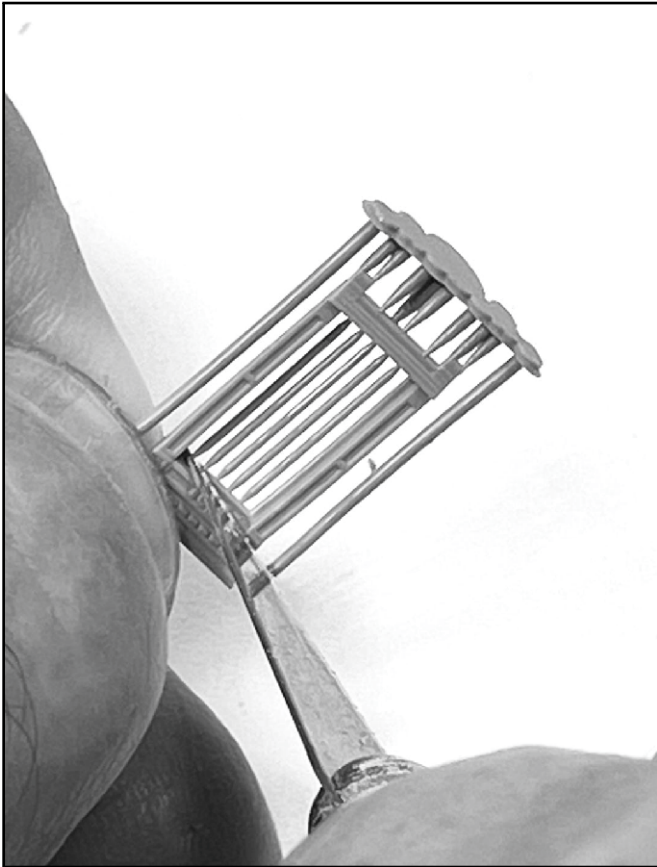
SOME MODELERS PREFER TO BUILD THE STRUCTURE COMPLETELY BEFORE PAINTING. ALL PARTS MAY BE PAINTED BEFORE ASSEMBLY WHILE THEY ARE STILL ON THEIR SPRUES. ONCE THE WALL PARTS HAVE BEEN PAINTED, THEY CAN BE CUT FROM THE SPRUE. INSTALLING THE WINDOWS AND DOORS AND SOME OF THE TRIM MAY BE ADVANTAGEOUS AT THIS POINT. COMPLETED WALL SECTIONS CAN THEN BE ASSEMBLED PER THE INSTRUCTIONS.

1. THE FIBER TASK BOARD SHOULD BE PRIMED WITH AN ENAMEL (OIL) BASED PRIMER BEFORE APPLYING ACRYLIC PAINT. IF THE ACRYLIC PAINT HAS TOO MUCH WATER SOLVENT IN IT, THE BOARD MAY SWELL. IF IT DOES - **ALLOW IT TO DRY THOROUGHLY BEFORE PROCEEDING.**
2. BEFORE YOU BEGIN CONSTRUCTION, TAKE THE TIME TO BECOME FAMILIAR WITH THE PARTS AND INSTRUCTIONS. THE PARTS ARE NUMBERED TO MAKE IT EASIER TO FIND THEM ON THE SPRUES. **IN GENERAL, MOST PARTS CAN BE ASSEMBLED AND WILL HOLD THEMSELVES IN PLACE ALLOWING YOU TO APPLY GLUE TO THE TAB AND SLOT AREAS.**
3. THE WINDOWS AND DOORS HAVE A DOUBLE STICK ADHESIVE BACKING TO ALLOW THEM TO BE APPLIED TO THE GLAZING. WE RECOMMEND THAT YOU PAINT THE WINDOWS AND DOORS WHILE THEY ARE STILL ATTACHED TO THE SPRUE. SPRAY PAINT WORKS BEST FOR THIS.
5. **WASH THE RESIN CAST STOREFRONT WITH WARM SOAPY WATER BEFORE PAINTING AND ALLOW TO DRY THOROUGHLY.**
4. WE RECOMMEND TAMIYA PRIMER AND VALLEJO BRAND ACRYLIC PAINTS FOR THIS KIT.



PREPARING THE 3D PRINTED WINDOWS

THE FIRST STEP WILL BE TO REMOVE THE SUPPORTS (SHOWN BELOW). USE A SHARP HOBBY KNIFE TO CUT THE SUPPORTS CLEANLY WHERE THEY ARE ATTACHED TO THE WINDOW FRAME. ANY "POINTS" LEFT AFTER TRIMMING CAN BE FILED WITH A NEEDLE FILE. FOR BEST RESULTS, HOLD THE WINDOW FRAMES AS SHOWN IN THE IMAGES BELOW. THIS WILL MINIMIZE THE BENDING OF THE WINDOW FRAME. THE 3D PRINTED WINDOWS CAN BE A LITTLE FLEXIBLE BUT, SHOULD THEY BEND WHILE WORKING WITH THEM, THEY CAN BE EASILY STRAIGHTENED BY HAND AND WILL RETAIN THEIR ORIGINAL SHAPE.

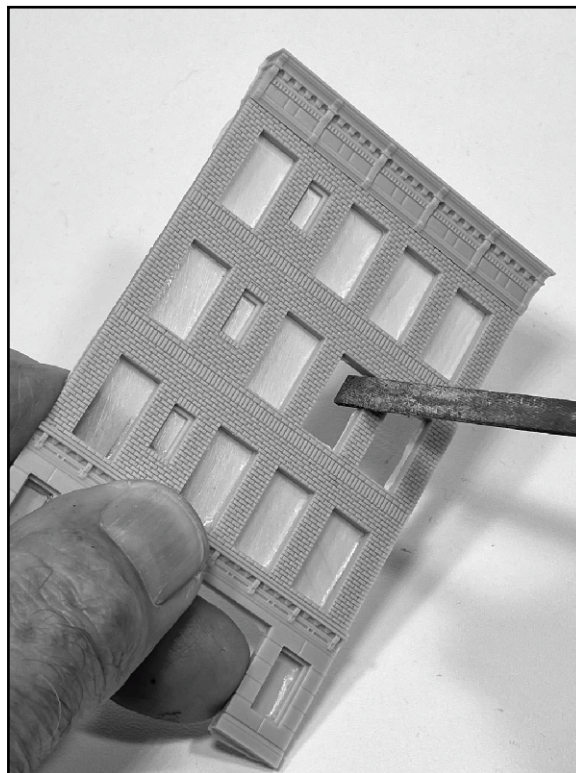
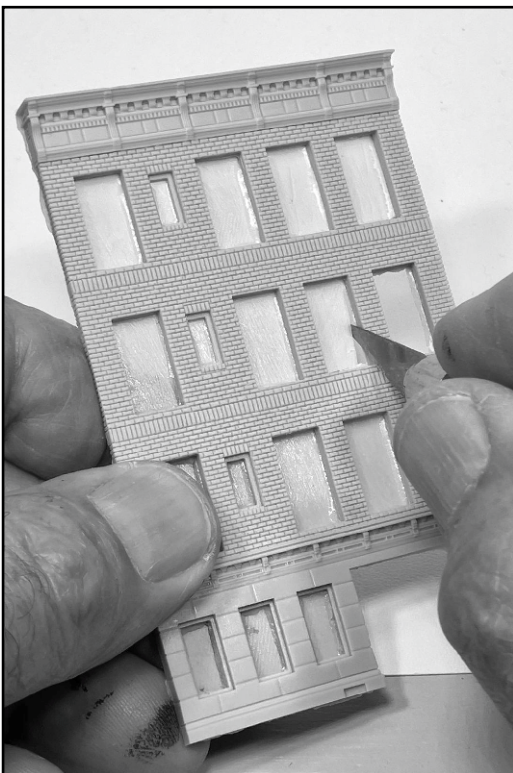


NOTE:

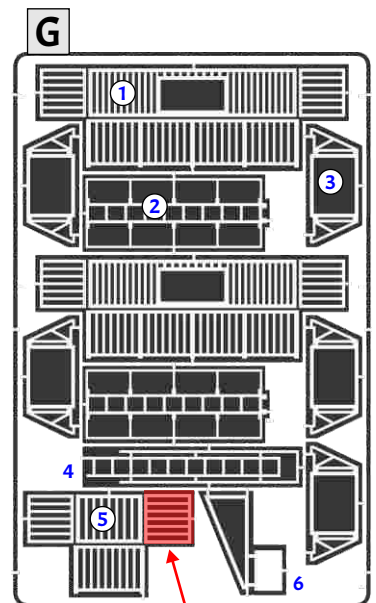
IF NECESSARY WHEN ATTACHING THE FIRE ESCAPE, CUT BOTTOM OF WINDOW CASING FOR CLEARANCE.

PREPARING THE CAST STOREFRONT

CLEAN UP THE FLASHING IN THE WINDOWS AND THE EDGES OF THE CASTING FIRST USING A SHARP HOBBY KNIFE. THEN, FINISH CLEANING THE EDGES OF THE WINDOW OPENINGS AND SIDES OF THE CASTING WITH A NEEDLE FILE AS SHOW.

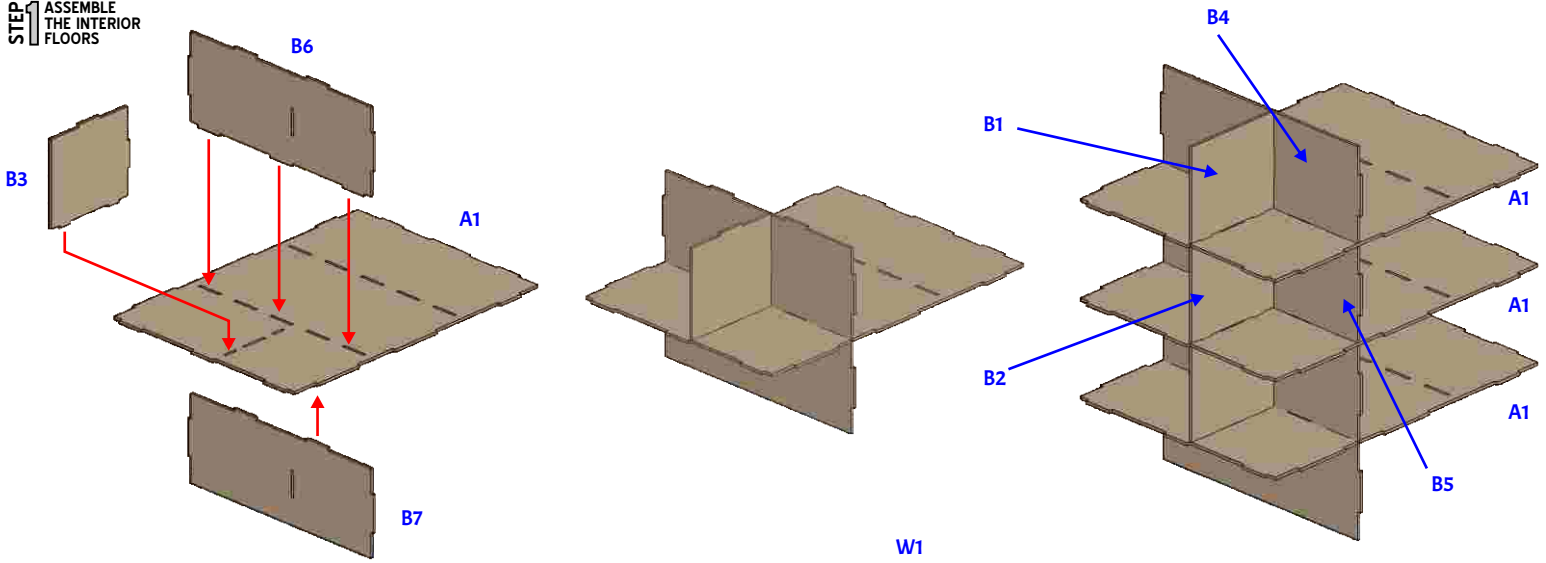


PHOT-ETCH DETAILS

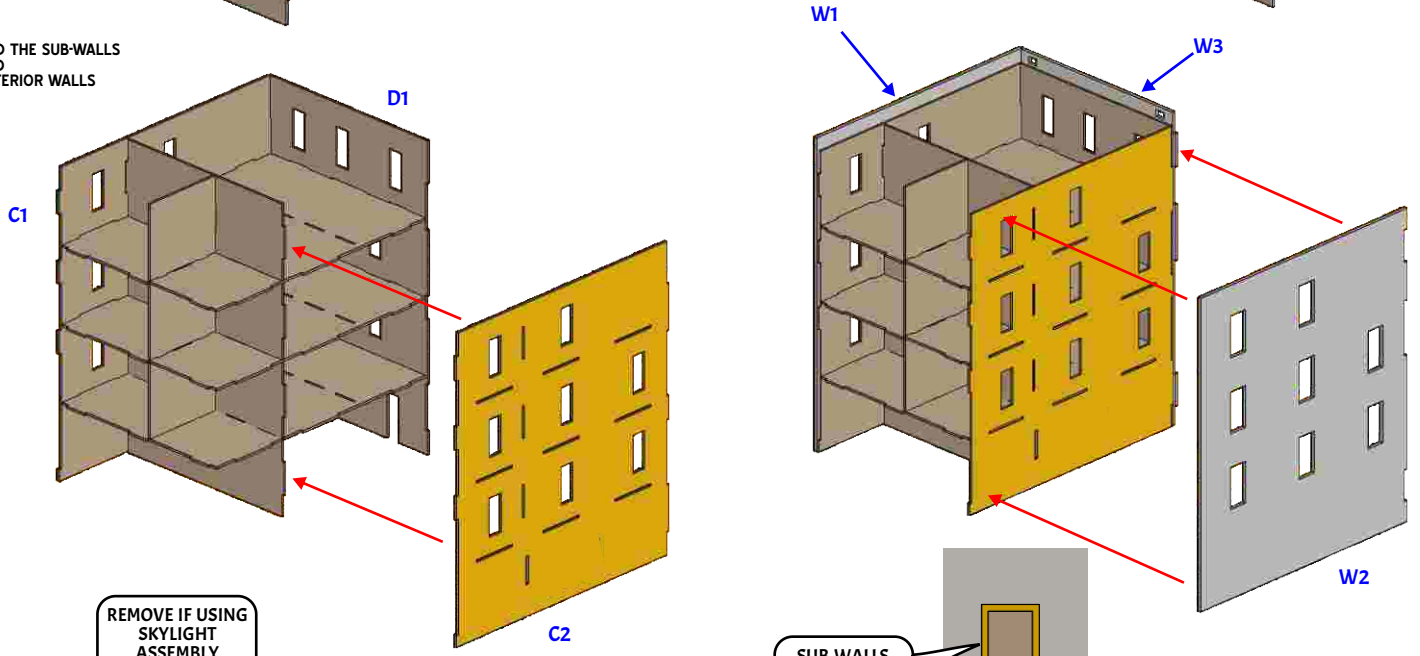


REMOVE

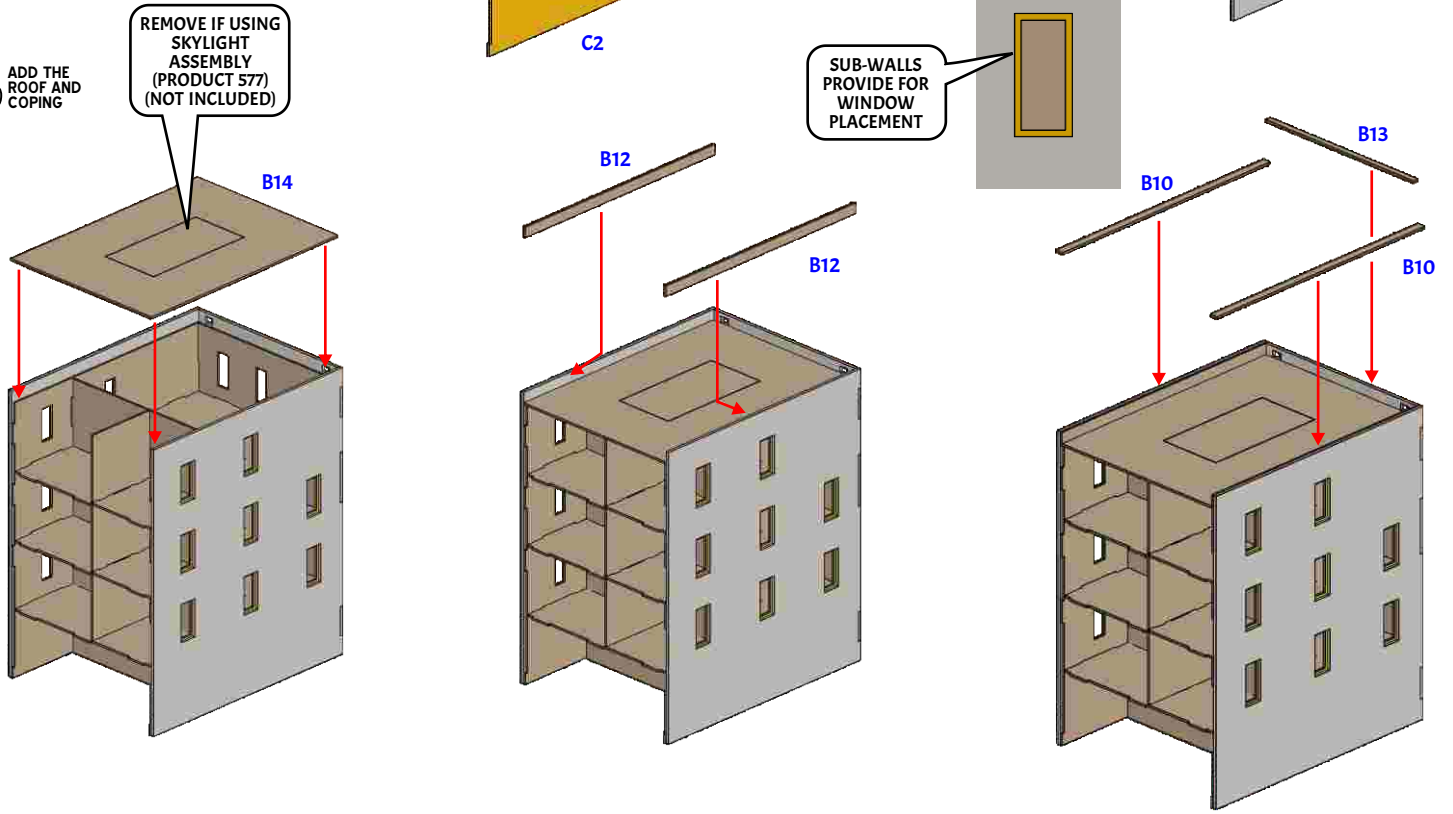
STEP 1 ASSEMBLE THE INTERIOR FLOORS



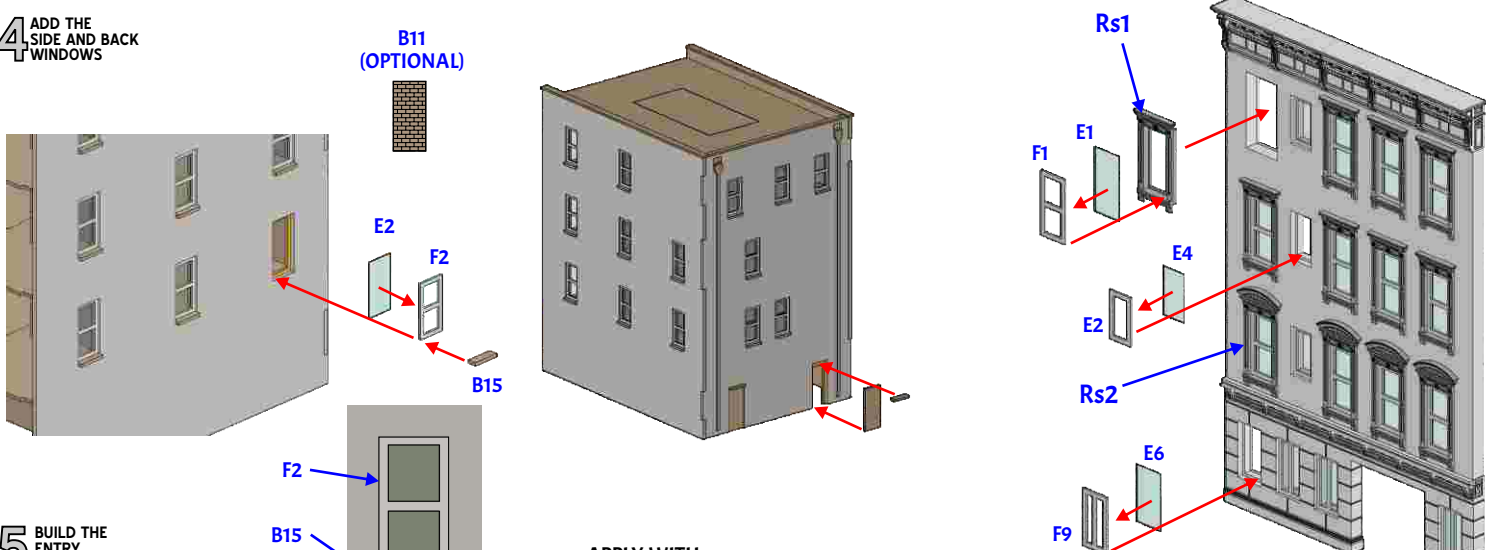
STEP 2 ADD THE SUB-WALLS AND EXTERIOR WALLS



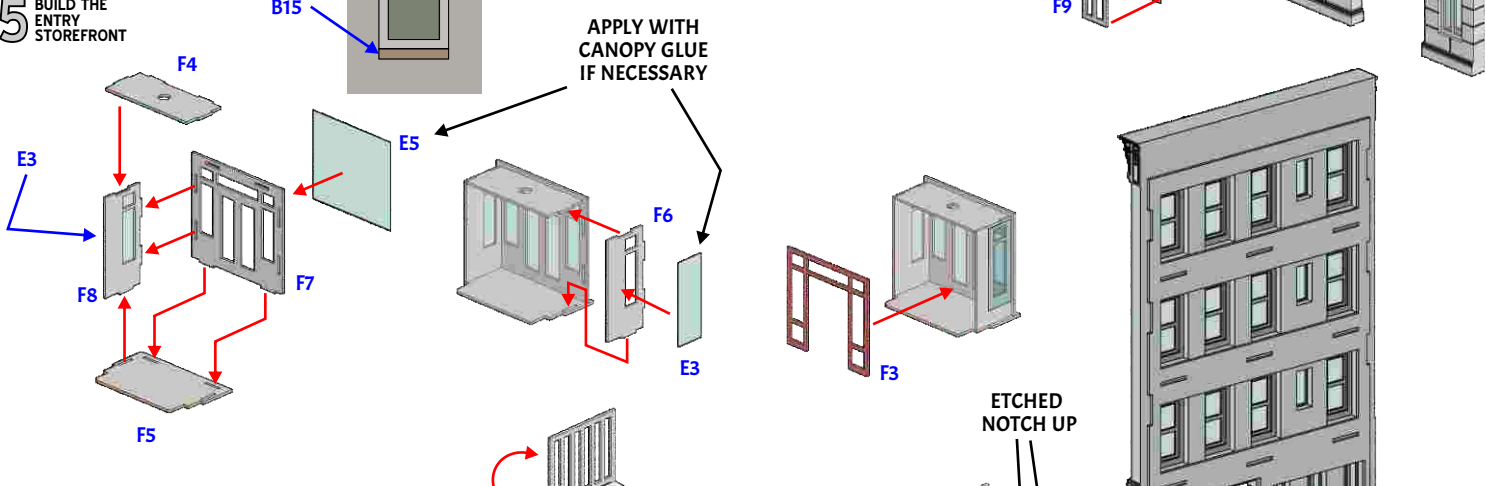
STEP 3 ADD THE ROOF AND COPING



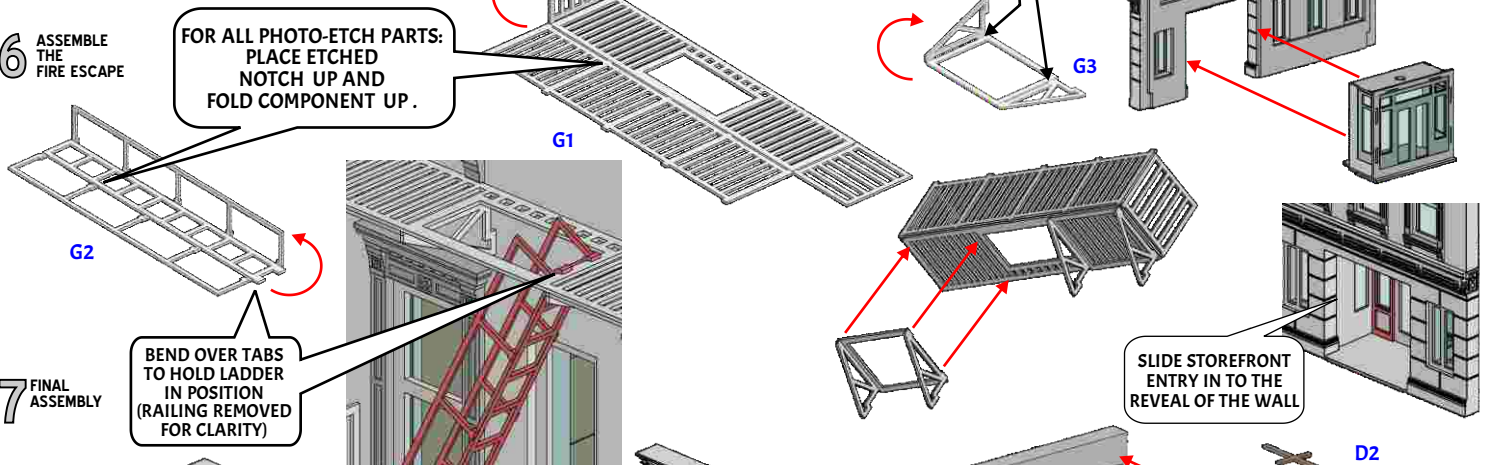
STEP 4 ADD THE SIDE AND BACK WINDOWS



STEP 5 BUILD THE ENTRY STOREFRONT



STEP 6 ASSEMBLE THE FIRE ESCAPE



STEP 7 FINAL ASSEMBLY

