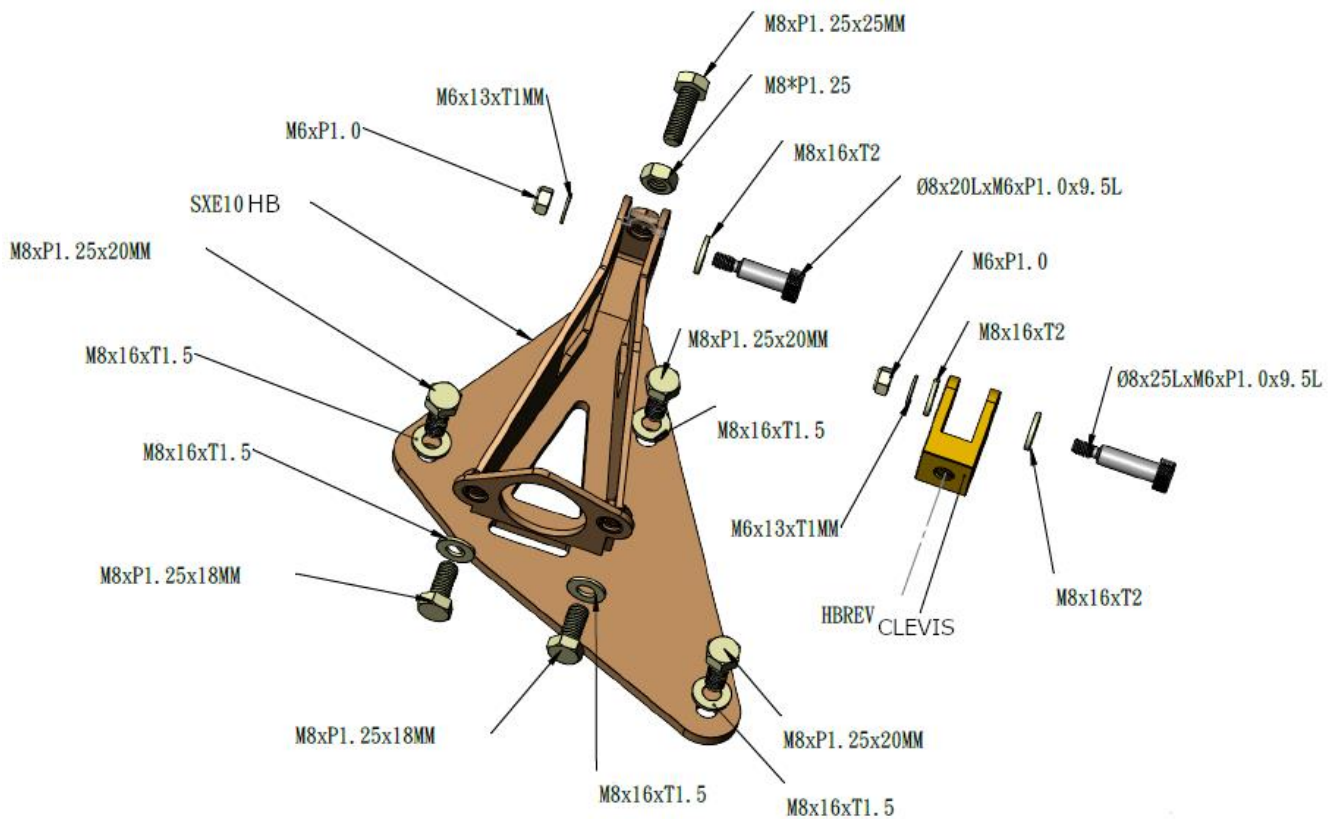


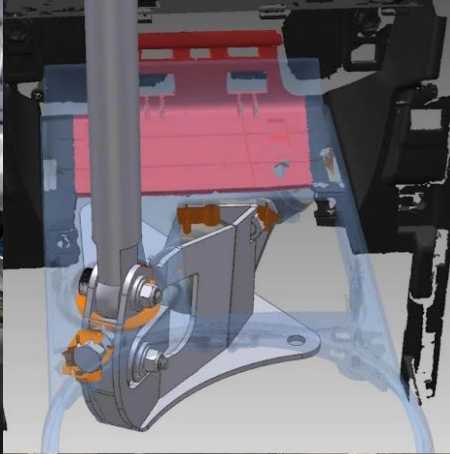
IS300 Bolt-On Hand Brake Base Structure

Description & Installation Tips

Laser cut, powdercoated bolt on hand brake base can be combined with your choice of thrust bearing handle colors, in-line master for single rear caliper, or reservoir master for dual rear calipers, plus a lines fittings set, all sold separately to complete a well-engineered solution for your car and your build goals, that's easy to install. The left hand drive chassis, center console and components were all 3D scanned and designed in CAD for a precise handle placement through the cigarette lighter, using the OEM Air Bag Control unit's mounting points. You will need to remove that box and do some plastic trimming as shown in our instagram videos when you search the tag #SXE10HB.

Exploded Diagram







Air Bag Unit out



& plastic cut, Installation is easy!



Thread in three base plate bolts



Tighten everything

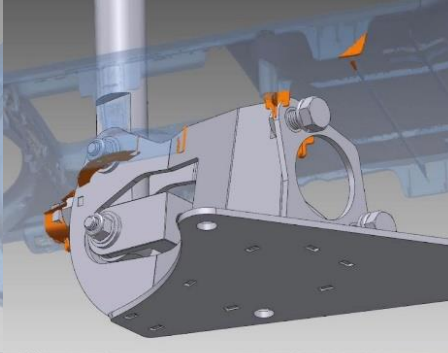
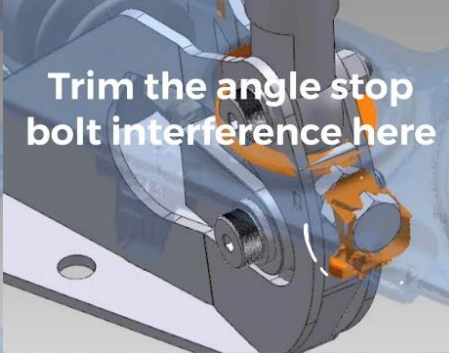
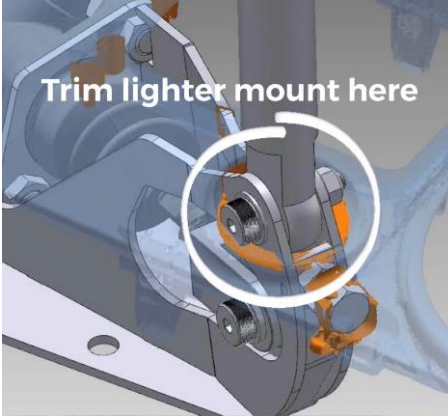


Set the handle angle With bump stop bolt.



Trim the left ashtray door wall here







ONE-YEAR LIMITED WARRANTY AND DISCLAIMER

All Parts Shop Max brand products are intended for Off Road Use Only and carry a one year limited warranty. See below for details.

All other branded products carry their respective manufacturer warranty.

Parts Shop Max products are warranted to be free of defects in material and workmanship for one (1) year from the date of purchase. If a product fails to meet specifications, Parts Shop Max USA Inc. or P.S.Max Precision Industries LLC. (in short, Parts Shop Max) will, at its election, repair, replace, or make an appropriate adjustment, if Parts Shop Max determines to its satisfaction that the product is defective in material or workmanship, i.e. contains a defect arising out of the manufacture of the product and not a defect caused by other circumstances, including, but not limited to accident, misuse, abuse, unforeseeable use, neglect, alteration, improper installation, improper adjustment, improper repair, or failure caused by other equipment or interaction with other equipment.

Parts Shop Max is not responsible for labor charges, removal charges, installation, or other incidental or consequential costs. In no event shall the liability of Parts Shop Max exceed the purchase price of the product. Parts Shop Max makes no other warranties, either expressed or implied, including limitation warranties as to merchantability or fitness for a particular purpose.

Parts Shop Max shall not be liable for, and buyer assumes all risk of, any advice or failure to provide advice by Parts Shop Max to buyer regarding the product or use and installation of product. Parts Shop Max shall not be liable for any special, incidental or consequential damages.

If the purchaser of the product has failed to regularly inspect and maintain that product before and after use, or places that product under any circumstance leading eventually to, or immediately to failure, and or neglected to seek professional installation and setup through a professional technician experienced with that same Parts Shop MAX product, all warranties and remedies granted may be terminated.

Parts Shop Max USA Inc. 220 Engel Street Escondido CA 92029

Call or Text 858-566-6969 Monday to Friday 10:30am to 5:30pm or

Email maxusa@partsshopmax.com DM @partsshopmax on Instagram