

# PARTS SHOP MAX

## E36 & E46 or E36M3 or E46M3 Front Knuckle Z32 twin turbo Caliper Brackets

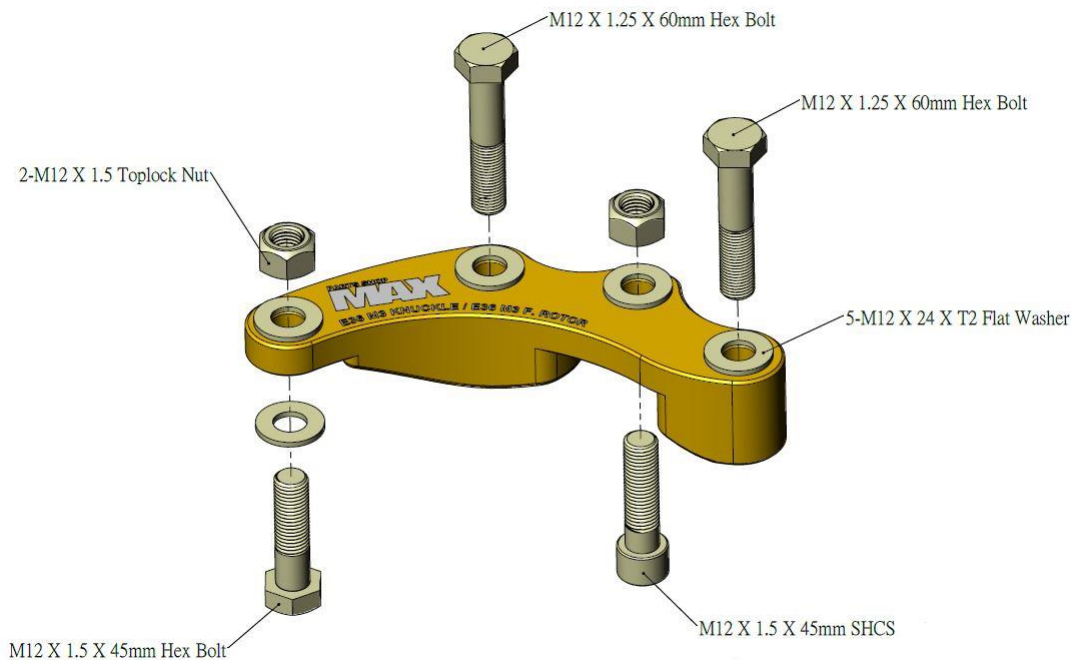
**SKU: E3646FKCB** adapts Z32tt calipers to E46M3 325x28mm rotors on all E36 and E46 non-M front knuckles. 330i/ci knuckles and rotors can use this part without needing to buy M rotors.

**SKU: E36M3FKCB** adapts Z32tt front calipers to E36M3 315x28 rotors on E36M3 knuckles.

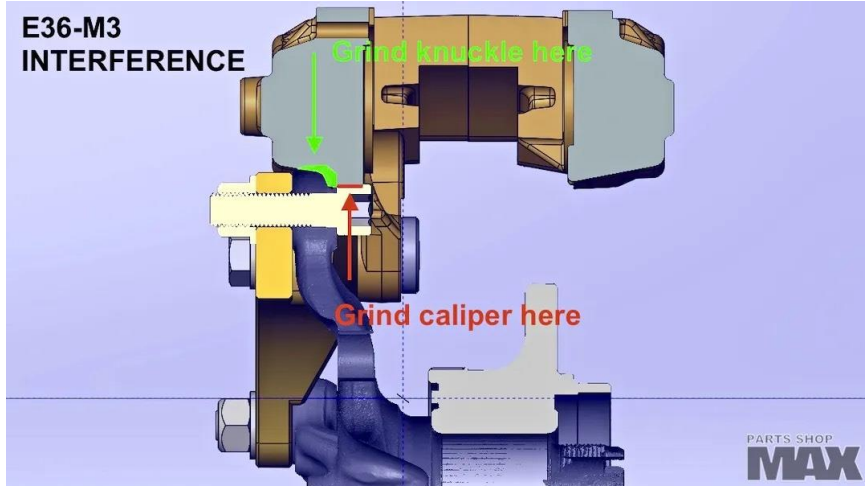
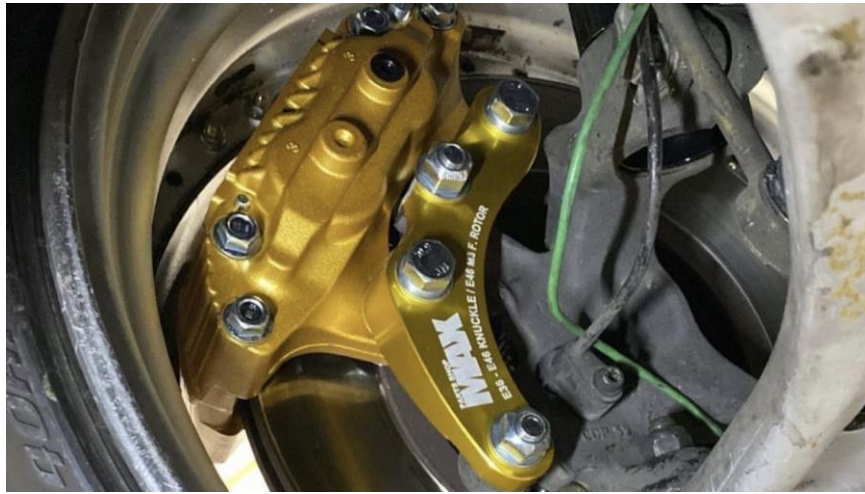
**SKU: E46M3FKCB** adapts Z32tt front calipers to E46M3 325x28 rotors on E46M3 knuckles.

1. The knuckle ear up in the center of the caliper must be ground down flush with the caliper bracket to clear the caliper. In most (Non-M) models
2. Top hex bolt head (E36M3 socket cap head) is on the inside if the caliper to clear near the brake pads while that nut for that one bolt goes on the outside of the caliper. E36M3 only, needs additional grinding on the aluminum caliper for the socket cap head screw, interference shown in photo cutaway view.
3. Look at the gallery diagram for wheel fitment. The caliper logo (orange point) is closest to the spokes. While the yellow point is closest to the inner wheel barrel. Use the measurements to compare with your own wheel if you remove it from the car, lay it face down and measure the same points distance from the center of the wheel mounting surface.
4. Complimentary items - Pair with our reproduction calipers. Adapt to the brake lines in the car by adding to cart the lines and fittings set we sell separately, **SKU: E3646FKCLF**.

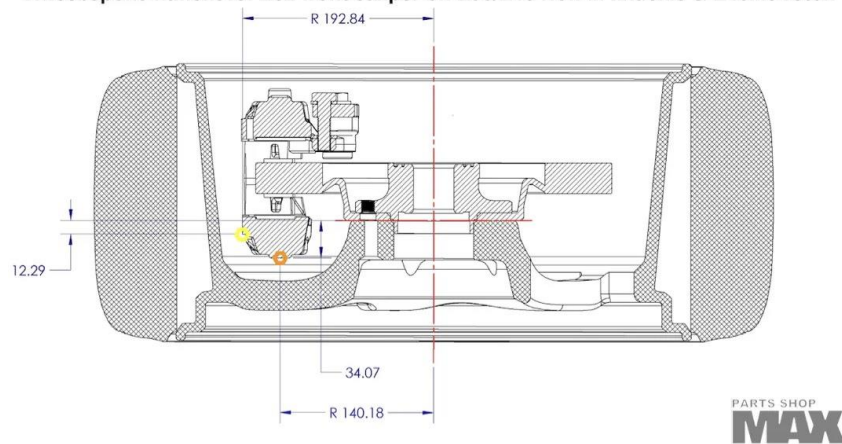
### Exploded Diagram



## Install Example



Wheel/spoke fitment for Z32 front caliper on E36/E46 Non-M knuckle & E46M3 rotor.



## **ONE-YEAR LIMITED WARRANTY AND DISCLAIMER**

All Parts Shop Max brand products are intended for Off Road Use Only and carry a one year limited warranty. See below for details.

All other branded products carry their respective manufacturer warranty.

Parts Shop Max products are warranted to be free of defects in material and workmanship for one (1) year from the date of purchase. If a product fails to meet specifications, Parts Shop Max USA Inc. or P.S.Max Precision Industries LLC. (in short, Parts Shop Max) will, at its election, repair, replace, or make an appropriate adjustment, if Parts Shop Max determines to its satisfaction that the product is defective in material or workmanship, i.e. contains a defect arising out of the manufacture of the product and not a defect caused by other circumstances, including, but not limited to accident, misuse, abuse, unforeseeable use, neglect, alteration, improper installation, improper adjustment, improper repair, or failure caused by other equipment or interaction with other equipment.

Parts Shop Max is not responsible for labor charges, removal charges, installation, or other incidental or consequential costs. In no event shall the liability of Parts Shop Max exceed the purchase price of the product. Parts Shop Max makes no other warranties, either expressed or implied, including limitation warranties as to merchantability or fitness for a particular purpose.

Parts Shop Max shall not be liable for, and buyer assumes all risk of, any advice or failure to provide advice by Parts Shop Max to buyer regarding the product or use and installation of product. Parts Shop Max shall not be liable for any special, incidental or consequential damages.

If the purchaser of the product has failed to regularly inspect and maintain that product before and after use, or places that product under any circumstance leading eventually to, or immediately to failure, and or neglected to seek professional installation and setup through a professional technician experienced with that same Parts Shop MAX product, all warranties and remedies granted may be terminated.

Parts Shop Max USA Inc. 220 Engel Street Escondido CA 92029

Call or Text 858-566-6969 Monday to Friday 10:30am to 5:30pm or

Email [maxusa@partsshopmax.com](mailto:maxusa@partsshopmax.com) DM @partsshopmax on Instagram