

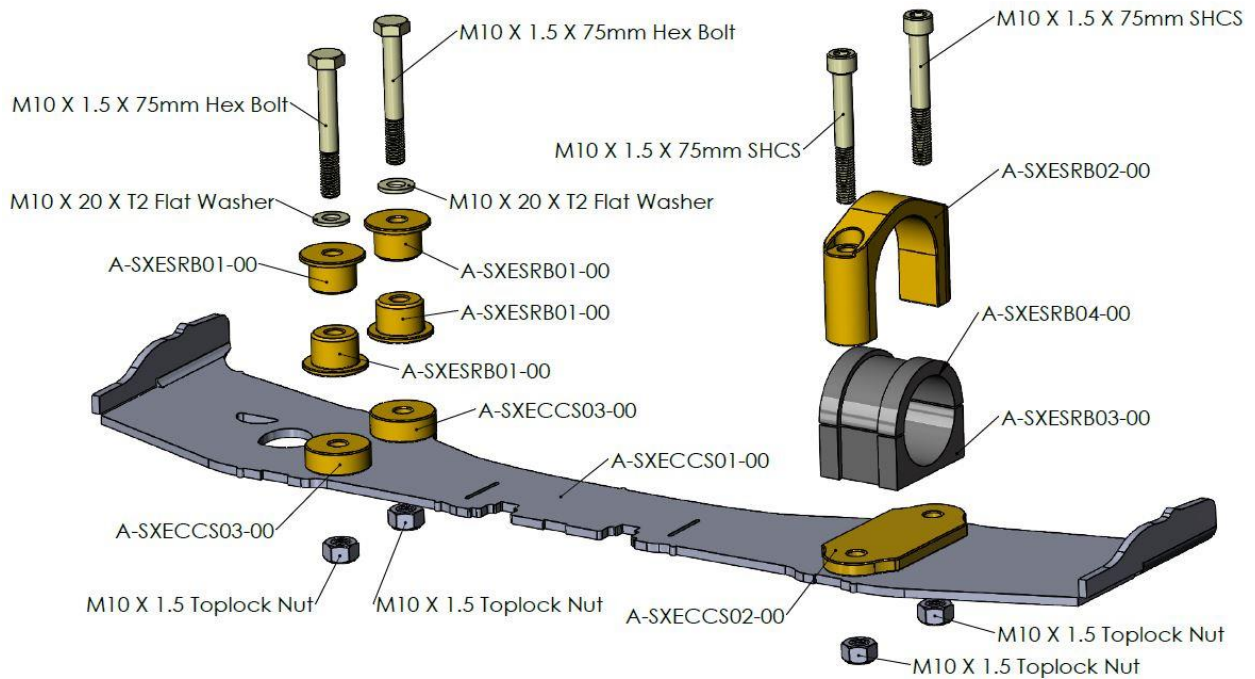
PARTS SHOP MAX

IS300 Rack Forward Crossmember Center Section

Description & Installation Tips

Steering Shaft Extension, part number SSE, is sold separately Weld in this laser cut and CNC press brake bent steel crossmember center section to move the steering rack forward 36mm for use with modified steering knuckles. Reduces over-centering and binding at high steering angle. Includes Aluminum and delrin solid rack mounts to allow precise and easy control over big steering angles. This kit lengthens the life of the steering rack compared to using offset rack spacers. We recommend using our machined eccentric bolt lock outs and slim hardware set (sold separately) so your tie rods clear the LCA mounting bolt when the rack is moved forward. For planning the scope of the fabrication work, look in the gallery here & at the instagram media for crossmember marking, cutting, welding and ideal finished assembly images and videos by searching on IG tag #SXE10CS **Fits Left hand drive vehicles only. You may need to extend your steering column when relocating the rack. We sell steering column extenders separately, sku: SSE. You can purchase a precise traceable template for cutting the crossmember after adding the CS to your shopping cart. Even if you will just use the CS plate for a cut guide, watch the instagram video on marking by searching the hashtag on Instagram #SXE10CSmarkingJig You don't need a weld jig either, just keep the plate square to the mount surface.

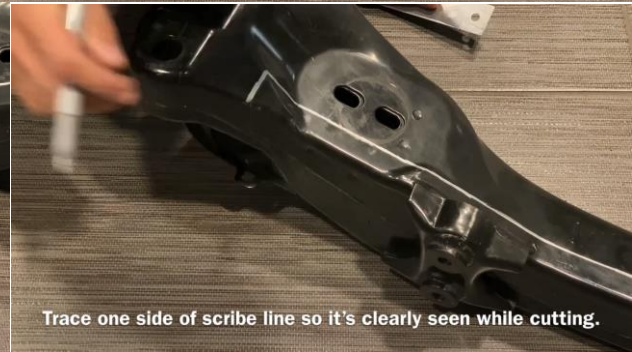
Exploded Diagram



Marking Example



Marking Example



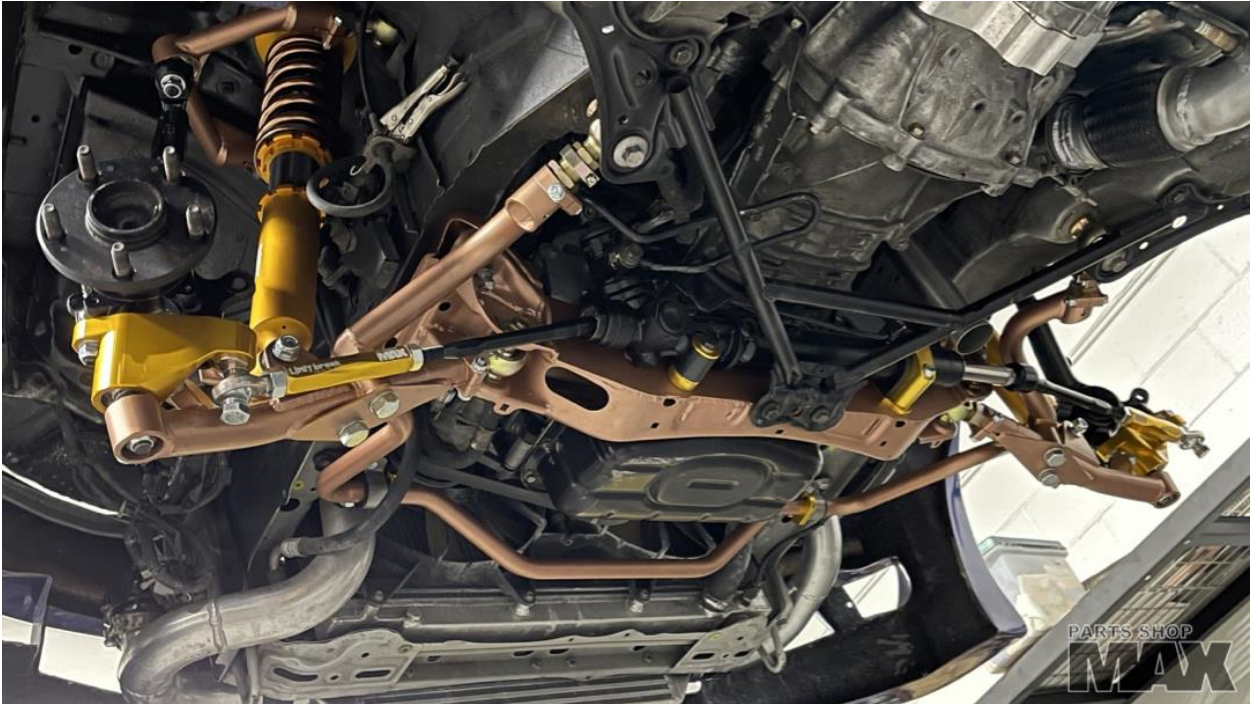
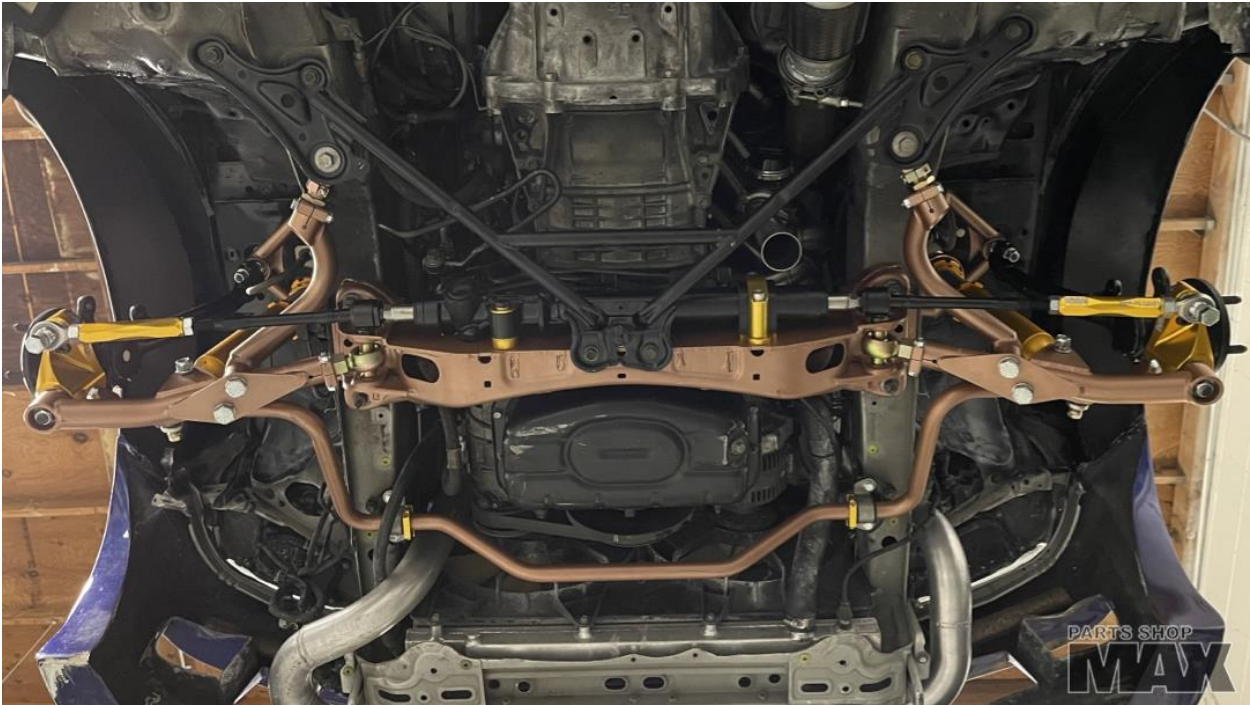
Cut & Weld Example







Install Example



ONE-YEAR LIMITED WARRANTY AND DISCLAIMER

All Parts Shop Max brand products are intended for Off Road Use Only and carry a one year limited warranty. See below for details.

All other branded products carry their respective manufacturer warranty.

Parts Shop Max products are warranted to be free of defects in material and workmanship for one (1) year from the date of purchase. If a product fails to meet specifications, Parts Shop Max USA Inc. or P.S.Max Precision Industries LLC. (in short, Parts Shop Max) will, at its election, repair, replace, or make an appropriate adjustment, if Parts Shop Max determines to its satisfaction that the product is defective in material or workmanship, i.e. contains a defect arising out of the manufacture of the product and not a defect caused by other circumstances, including, but not limited to accident, misuse, abuse, unforeseeable use, neglect, alteration, improper installation, improper adjustment, improper repair, or failure caused by other equipment or interaction with other equipment.

Parts Shop Max is not responsible for labor charges, removal charges, installation, or other incidental or consequential costs. In no event shall the liability of Parts Shop Max exceed the purchase price of the product. Parts Shop Max makes no other warranties, either expressed or implied, including limitation warranties as to merchantability or fitness for a particular purpose.

Parts Shop Max shall not be liable for, and buyer assumes all risk of, any advice or failure to provide advice by Parts Shop Max to buyer regarding the product or use and installation of product. Parts Shop Max shall not be liable for any special, incidental or consequential damages.

If the purchaser of the product has failed to regularly inspect and maintain that product before and after use, or places that product under any circumstance leading eventually to, or immediately to failure, and or neglected to seek professional installation and setup through a professional technician experienced with that same Parts Shop MAX product, all warranties and remedies granted may be terminated.

Parts Shop Max USA Inc. 220 Engel Street Escondido CA 92029

Call or Text 858-566-6969 Monday to Friday 10:30am to 5:30pm or

Email maxusa@partsshopmax.com DM @partsshopmax on Instagram